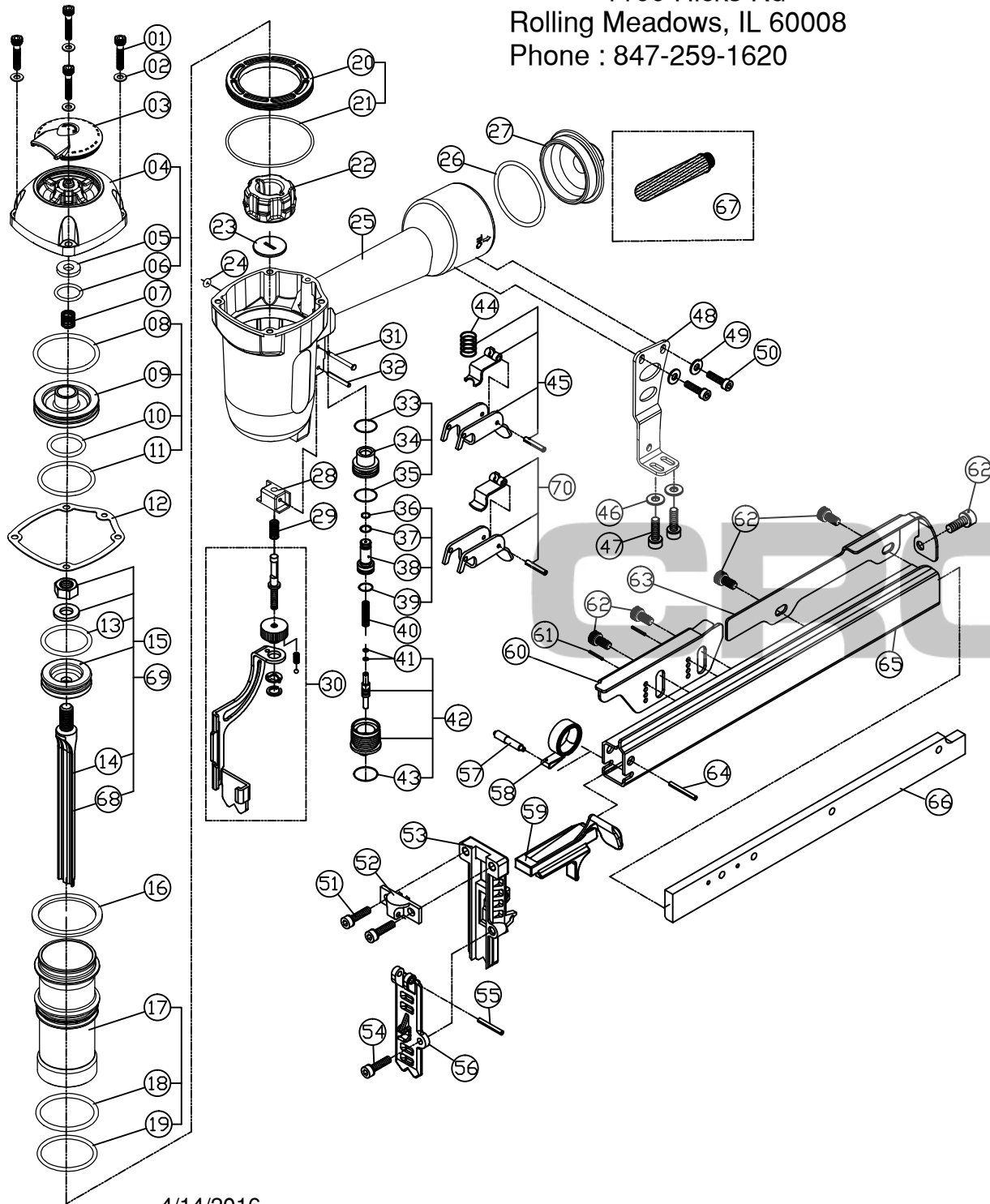


MODEL X1C1008

SPOTNAILS[®]
 DIVISION OF PEACE INDUSTRIES, LTD.
 1100 Hicks Rd
 Rolling Meadows, IL 60008
 Phone : 847-259-1620



4/14/2016

SPOTNAILS MODEL X1C1008

Ref No.	Part No.	Description	Ref No.	Part No.	Description
01	P-24300	Cap Screw-4	36	P-64334	O-Ring
02	P-32211	Flat Washer-4	37	P-64335	O-Ring
03	P-70058	Exhaust Deflector	38	P-22145	Pilot Valve
04	P-60221	Cap	39	P-64336	O-Ring
◆ 05	P-15187	Exhaust Seal	40	P-18227	Spring
◆ 06	P-64378	O-Ring	◆ 41	P-64383	Plunger O-Rings-2
07	P-18327	Poppet Spring	42	AS-22037	Plunger Assembly
◆ 08	P-64601	Poppet O-Ring	◆ 43	P-64328	O-Ring
09	P-63055	Poppet	44	P-18267	Spring
◆ 10	P-64379	Piston Stop o-Ring	45	AS-21033	Restrictive Trigger Assembly (Red)
◆ 11	P-64602	Cylinder Seal O-Ring	46	P-32171	Washer
◆ 12	P-62094	Gasket	47	P-24511	Screw
◆ 13	P-64617	Piston O-Ring	48	P-13128	Bracket
14	P-06261	Driver Blade 119mm	49	P-32170	Washer
15	AS-06117	Piston & Driver Assembly 119mm	50	P-24312	Screw
16	P-03125	Guide Spacer	51	P-24358	Screw
17	P-05131	Cylinder	52	P-10276	Stationary Front Plate
◆ 18	P-64603	Cylinder O-Ring	53	P-08498	Wear Plate
◆ 19	P-64604	O-Ring	54	P-24430	Screw
20	P-03126	Cylinder Guide	55	P-07239	Spring Pin
◆ 21	P-64605	O-Ring	56	P-10315	Removable Front Plate
22	P-15273	Bumper	57	P-07389	Negator Spring Pin
23	P-15235	Return Seal	58	P-18489	Negator Spring
◆ 24	P-64240	O-Ring	59	P-09218	Pusher
25	P-01307	Body	60	P-12492	Magazine Cover(A)
26	P-64312	O-Ring	61	P-07388	Spring Pin
27	P-60156	End Cap	62	P-24317	Screw
28	P-53165	Safety Guide	63	P-12493	Magazine Cover(B)
29	P-18328	Spring	64	P-07338	Spring Pin
30	AS-53089	Safety Assembly	65	P-12494	Magazine
31	P-07327	Trigger Pin	66	P-12495	Cover Mounting Bar
32	P-07262	Pin	67	P-97454	Filter (Optional)
◆ 33	P-64332	Valve Housing O-Ring	68	P-06262	Driver Blade 116mm
34	P-22144	Trigger Valve Cap	69	AS-06118	Piston & Driver Assembly 116mm
◆ 35	P-64333	O-Ring	70	AS-21036	Trigger Assembly(Black)

◆ Parts Included In AS-97403 O-Ring And Seal Kit