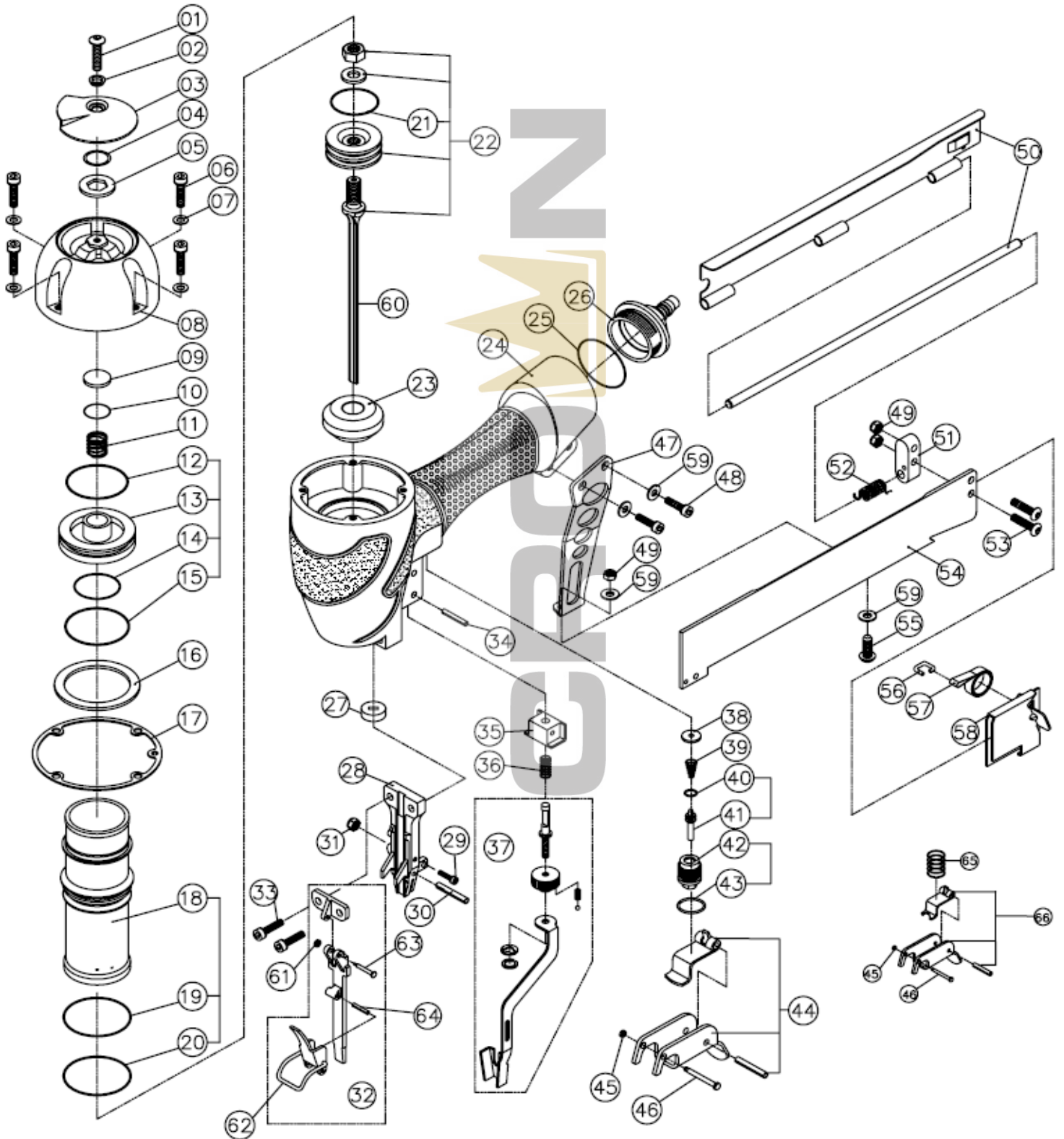


MODEL WS4840

SPOTNAILS®

THIS TOOL EQUIPPED WITH
A RESTRICTIVE TRIGGER



SPOTNAILS MODEL WS4840

Ref No.	Part No.	Description
01	P-24370	Screw
02	P-96118	Bushing
03	P-70042	Exhaust Deflector
04	P-64377	O-Ring
05	P-32217	Washer
06	P-24300	Screw
07	P-32211	Flat Washer
08	P-60174	Cap
◆	09	P-15193 Exhaust Seal
◆	10	P-64384 O-Ring
◆	11	P-18331 Poppet Spring
◆	12	P-64385 Poppet O-Ring
◆	13	P-63038 Poppet
◆	14	P-64233 Piston Stop O-Ring
◆	15	P-64386 Cylinder Seal O-Ring
◆	16	P-03070 Guide Spacer
◆	17	P-62071 Gasket
◆	18	P-05097 Cylinder
◆	19	P-64387 Cylinder O-Ring
◆	20	P-64242 O-Ring
◆	21	P-64388 Piston O-Ring
◆	22	AS-06037 Piston & Driver Assembly
◆	23	P-15195 Bumper
◆	24	P-01261 Body
◆	25	P-64389 O-Ring
◆	26	P-60175 End Cap
◆	27	P-15196 Return Seal
◆	28	P-08465 Wear Plate
◆	29	P-24311 Screw
◆	30	P-07290 Roll Pin
◆	31	P-26125 Nut
◆	32	AS-10045 Front Plate Assembly
◆	33	P-24358 Screw

Ref No.	Part No.	Description
34	P-07291	Pin
35	P-53165	Safety Guide
36	P-18328	Spring
37	AS-53042	Safety Assembly
38	P-15194	Valve Seal
39	P-18283	Spring
40	P-64390	O-Ring
41	P-22165	Plunger
42	P-22166	Valve Housing
43	P-64391	O-Ring
44	AS-21008	Trigger Assembly
45	P-64240	O-Ring
46	P-07327	Trigger Pin
47	P-13069	Bracket
48	P-24306	Screw
49	P-26126	Nut
50	AS-99078	Magazine Cover Assembly
51	P-05098	Fixed Spacer
52	P-18332	Spring
53	P-24301	Screw
54	P-12405	Track
55	P-24310	Screw
56	P-18233	Spring Clip
57	P-18232	Negator Spring
58	P-09149	Pusher
59	P-32144	Washer
60	P-06228	Driver Blade
61	P-64434	O-Ring
62	AS-04035	Latch Assembly
63	P-07356	Step Pin
64	P-07352	Roll Pin
65	P-18267	Spring
66	AS-21019	Sequential Trigger

◆ Parts Included In AS-97281 O-Ring And Seal Kit