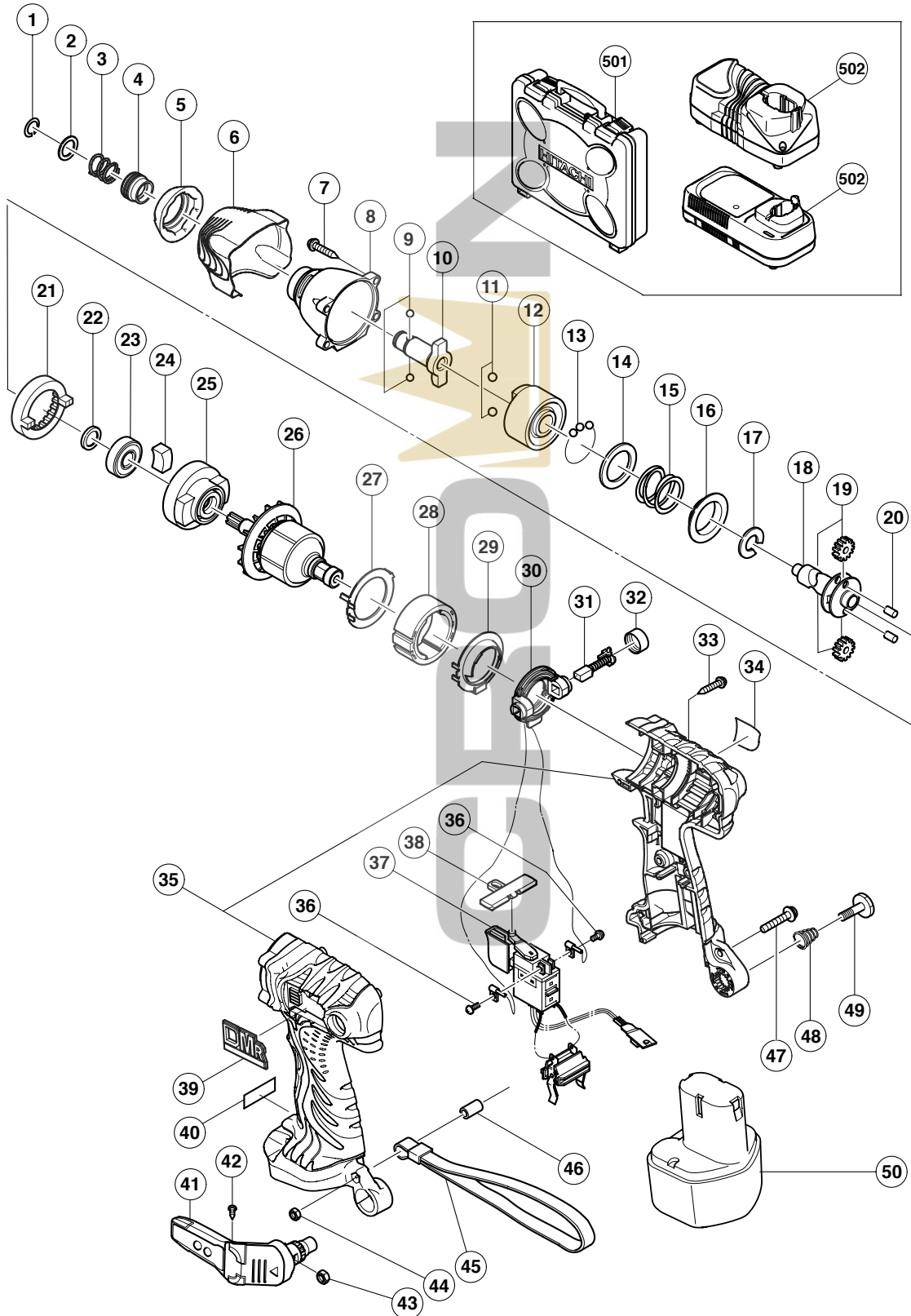


## ELECTRIC TOOL PARTS LIST

**CORDLESS IMPACT DRIVER**  
**Model WH 9DMR**

**2005 · 4 · 1**  
**(E1)**



**PARTS**

WH 9DMR

ITEM NO.	CODE NO.	DESCRIPTION	NO. USED	REMARKS
1	315-984	RETAINING RING	1	
2	315-983	WASHER (D)	1	
3	322-716	GUIDE SPRING (B)	1	
4	322-717	GUIDE SLEEVE (D)	1	
5	322-727	FRONT CAP (B)	1	
6	322-728	PROTECTOR (C)	1	
7	319-917	TAPPING SCREW (W/SP. WASHER) D4X25 (BLACK)	4	
8	321-674	HAMMER CASE	1	
9	319-535	STEEL BALL D3.5 (10 PCS.)	2	
* 10	322-248	ANVIL (F)	1	
* 10	322-724	ANVIL (E)	1	FOR KOR, TPE, SIN
11	959-154	STEEL BALL D5.556 (10 PCS.)	2	
12	322-730	HAMMER (F)	1	
13	959-148	STEEL BALL D3.175 (10 PCS.)	28	
14	315-978	WASHER (J)	1	
15	320-407	HAMMER SPRING (A)	1	
16	316-172	WASHER (S)	1	
17	316-171	STOPPER	1	
18	321-666	SPINDLE (D)	1	
19	321-667	IDLE GEAR SET (2 PCS.)	2	
20	319-914	NEEDLE ROLLER	2	
21	320-877	RING GEAR (C)	1	
22	319-911	WASHER (E)	1	
23	690-1VV	BALL BEARING 6901VVCMP2L	1	
24	319-909	DAMPER	2	
25	321-664	INNER COVER (A)	1	
26	360-702	ARMATURE ASS'Y (W/BALL BEARING) DC 9.6V	1	
27	322-719	SIDE YOKE	1	
28	322-723	MAGNET (E)	1	
29	322-720	DUST GUARD FIN (B)	1	
30	321-662	BRUSH BLOCK	1	
31	999-054	CARBON BRUSH 5X6X11.5 (1 PAIR)	2	
32	319-918	BRUSH CAP	2	
33	302-086	TAPPING SCREW (W/FLANGE) D4X20 (BLACK)	7	
34		NAME PLATE	1	
35	324-287	HOUSING (A). (B) SET	1	
36	994-532	MACHINE SCREW (W/SP. WASHER) M3X5	2	
37	319-906	DC-SPEED CONTROL SWITCH	1	
38	321-661	PUSHING BUTTON (A)	1	
39	324-286	HITACHI PLATE	1	
* 40		CAUTION PLATE (A)	1	FOR USA, CAN
41	321-918	HOOK ASS'Y (W/LIGHT)	1	INCLUD. 42, 43
42	321-672	TAPPING SCREW D2X6	2	
43	320-288	V-LOCK NUT M5	1	
44	949-565	LOCK NUT M4 (10 PCS.)	1	
45	306-952	STRAP (BLACK)	1	
46	322-718	SLEEVE (A)	1	
47	324-278	MACHINE SCREW (W/WASHERS) M4X25 (BLACK)	1	
48	319-926	HOOK SPRING	1	
49	319-927	SPECIAL SCREW M5	1	
* 50	310-377	BATTERY EB 9B (W/ENGLISH N.P.)	2	

**PARTS**

ITEM NO.	CODE NO.	DESCRIPTION	NO. USED	REMARKS	
* 50	310-451	BATTERY EB 9B (W/ENGLISH N.P.)	2	FOR USA, CAN	
* 50	324-288	BATTERY EB 9B (W/ENGLISH N.P.)	2	FOR TPE	
* 50	323-225	BATTERY EB 926H (W/ENGLISH N.P.)	2		
* 50	318-368	BATTERY EB 930H (W/ENGLISH N.P.)	2		

### STANDARD ACCESSORIES

WH 9DMR

ITEM NO.	CODE NO.	DESCRIPTION	NO. USED	REMARKS	
* 501	322-070	CASE	1	EXCEPT FOR THA	
* 502		CHARGER (MODEL UC 18YG)	1		
* 502		CHARGER (MODEL UC 14YFA)	1		

### OPTIONAL ACCESSORIES

ITEM NO.	CODE NO.	DESCRIPTION	NO. USED	REMARKS	
601	992-671	+ DRIVER BIT (B) NO. 2 50L	1		
602	992-672	+ DRIVER BIT (B) NO. 3 50L	1		
603	996-177	NON-MAGNETIC HEX. SOCKET 8MM 65L	1		
604	985-329	NON-MAGNETIC HEX. SOCKET 10MM 65L	1		
605	996-178	NON-MAGNETIC HEX. SOCKET 12MM 65L	1		
606	996-179	NON-MAGNETIC HEX. SOCKET 13MM 65L	1		
607	996-180	NON-MAGNETIC HEX. SOCKET 14MM 65L	1		
608	996-181	NON-MAGNETIC HEX. SOCKET 16MM 65L	1		
609	996-182	NON-MAGNETIC HEX. SOCKET 17MM 65L	1		
610	996-197	HEX. SOCKET (LONG) 21MMX166L	1		
611	321-823	DRILL CHUCK AND ADAPTER SET	1	INCLUD. 612	
612	307-543	CHUCK ADAPTER	1		
613	309-922	GREASE FOR IMPACT DRIVER (500G)	1		