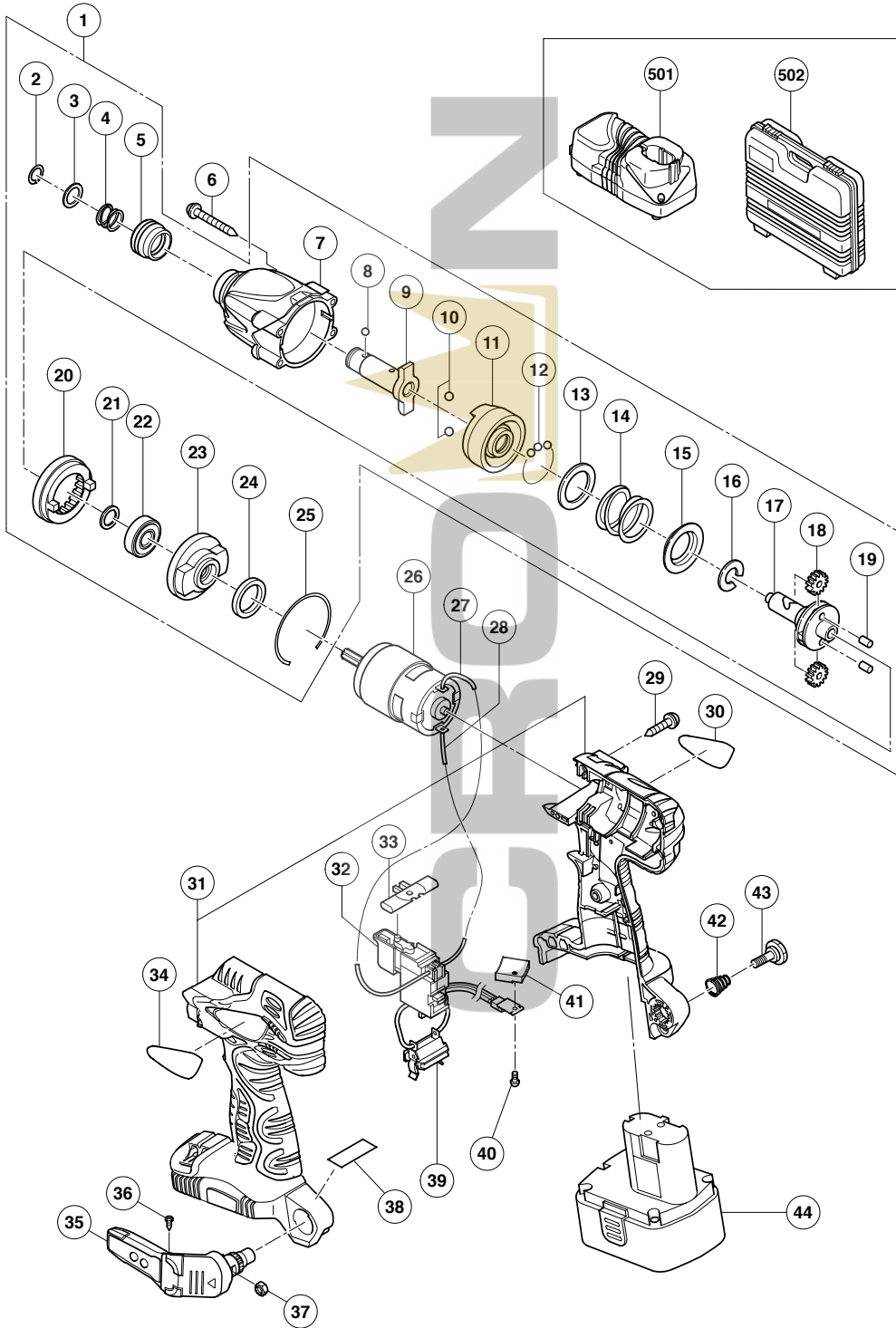


ELECTRIC TOOL PARTS LIST

CORDLESS IMPACT DRIVER
Model WH 14DAF2

2006 · 5 · 25
(E1)



PARTS

WH 14DAF2

ITEM NO.	CODE NO.	DESCRIPTION	NO. USED	REMARKS
1	324-854	GEAR BOX (B) ASS'Y	1	INCLUD. 2-5, 7-25
2	315-984	RETAINING RING	1	
3	315-983	WASHER (D)	1	
4	320-409	GUIDE SPRING	1	
5	323-954	GUIDE SLEEVE	1	
6	992-630	TAPPING SCREW (W/SP. WASHER) D4X40	4	
7	323-940	HAMMER CASE	1	
8	319-535	STEEL BALL D3.5 (10 PCS.)	1	
9	321-915	ANVIL (B)	1	
10	959-154	STEEL BALL D5.556 (10 PCS.)	2	
11	323-949	HAMMER	1	
12	321-934	STEEL BALL D3 (10 PCS.)	28	
13	315-978	WASHER (J)	1	
14	323-944	HAMMER SPRING	1	
15	316-172	WASHER (S)	1	
16	316-171	STOPPER	1	
17	323-945	SPINDLE (B)	1	
18	323-941	IDLE GEAR SET (2 PCS.)	2	
19	323-942	NEEDLE ROLLER	2	
20	323-946	RING GEAR	1	
21	319-911	WASHER (E)	1	
22	690-1VV	BALL BEARING 6901VVCMP2L	1	
23	323-947	INNER COVER	1	
24	321-894	DAMPER	1	
25	321-893	RETAINING RING	1	
26	326-102	MOTOR	1	
27	321-876	INTERNAL WIRE (RED) 115L	1	
28	326-184	INTERNAL WIRE (BLACK) 65L	1	
29	302-086	TAPPING SCREW (W/FLANGE) D4X20 (BLACK)	7	
30		NAME PLATE	1	
31	326-103	HOUSING (A).(B) SET	1	
32	326-104	DC-SPEED CONTROL SWITCH	1	
33	321-871	PUSHING BUTTON	1	
34		HITACHI LABEL	1	
35	321-918	HOOK ASS'Y (W/LIGHT)	1	INCLUD. 36, 37
36	321-672	TAPPING SCREW D2X6	2	
37	320-288	V-LOCK NUT M5	1	
38		CAUTION PLATE (B)	1	
39	323-710	TERMINAL SUPPORT	1	
40	320-777	MACHINE SCREW (W/SP. WASHER) M3X4	1	
41	320-776	FIN	1	
42	319-926	HOOK SPRING	1	
43	320-881	SPECIAL SCREW (A) M5	1	
44	324-367	BATTERY EB 1414S (W/ENGLISH N.P)	2	

