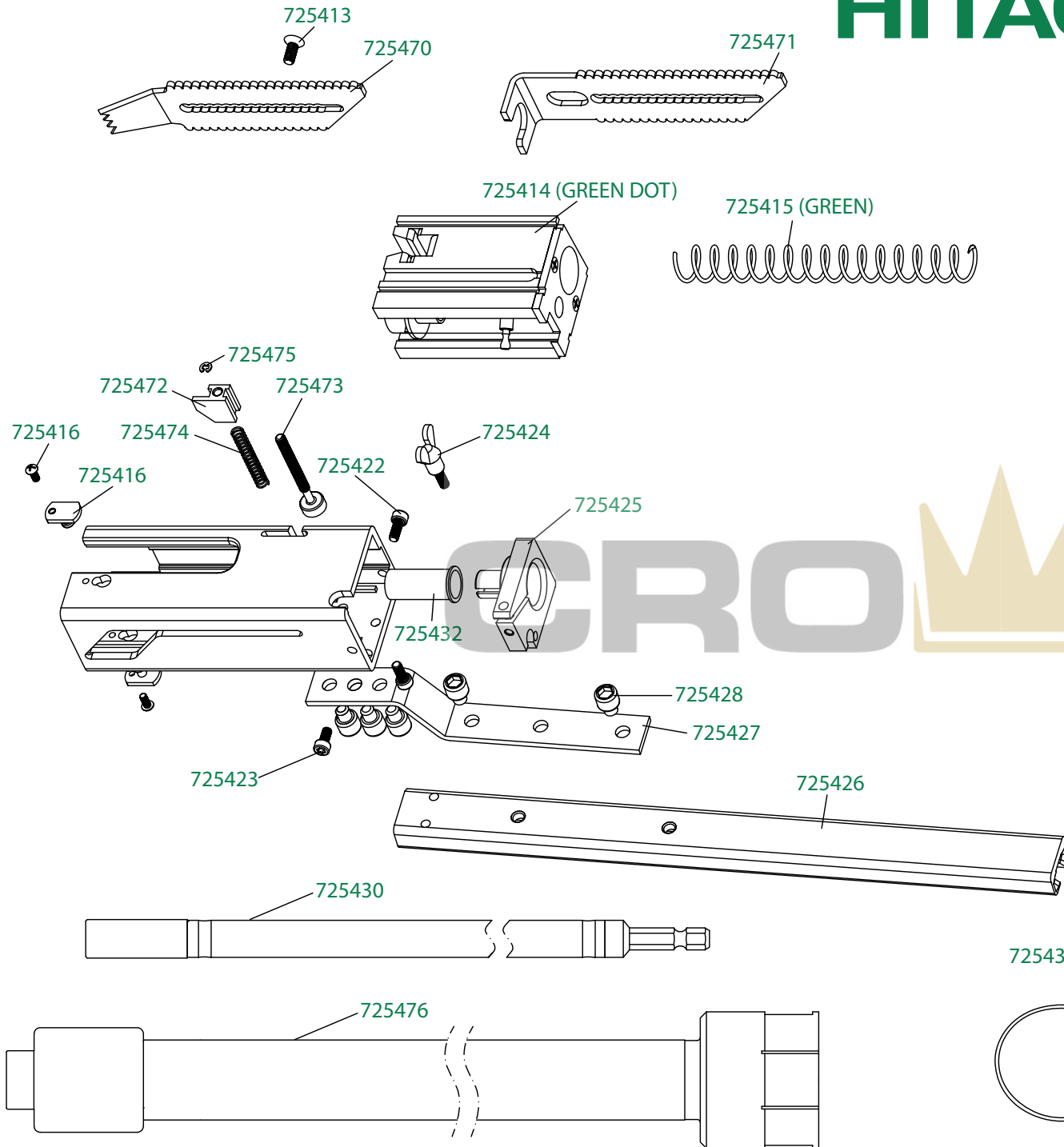


HITACHI SuperDrive® 75 Series



PARTS LIST - 75 SERIES TOOL

Part Number	Description	QTY
725414	MODULE (GREEN DOT)	1
725415	SPRING (GREEN) 1.7mm	1
725413	NOSEPIECE FLAT HEAD SCREW M4x10mm	1
725470	NOSEPIECE SUBFLOOR AND METAL-TO-METAL	1
725471	NOSEPIECE DECK/DRYWALL	1
725425	END PLATE FOR 75	1
725424	WING SCREW FOR END PLATE	1
725423	BODY HEX SOCKET CAP SCREW M4x8	1
725422	BODY HEX SOCKET CAP SCREW M4x10	2
725416	RETAINER SCREW - M3x6	2
725416	RETAINER FOR MODULE 3mm	2
725427	BRACKET FOR FEEDTRACK	2
725428	FEED TRACK HEX SOCKET SCREW 1/4"-20 x 7.4mm	5
725426	FEED TRACK	1
725432	TUBE FOR END PLATE	1

DEPTH ADJUSTMENT PARTS

Part Number	Description	QTY
725472	DEPTH CONTROL RETAINER	1
725474	DEPTH CONTROL SPRING	1
725473	DEPTH CONTROL ADJUSTMENT WHEEL	1
725475	SNAP E RING E2	1

EXTENSION PARTS

Part Number	Description	QTY
725476	EXTENSION 19"	1
729430	BIT EXTENSION	1
729431	HANDLE ASSEMBLY	1