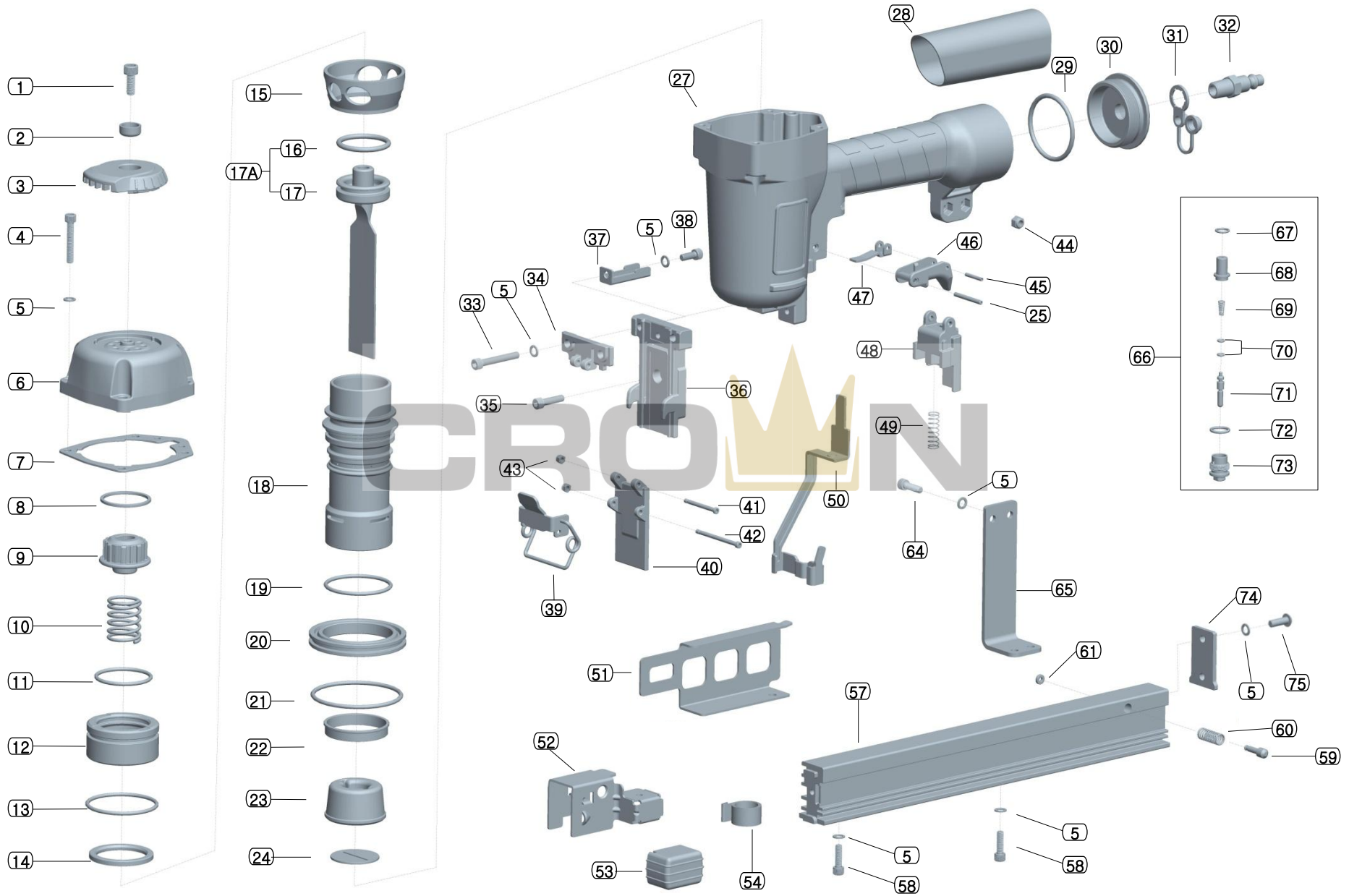


EXPLODED DIAGRAM OF TRS38S



TRS38S (16GA. 1" WIDE CROWN STAPLER)

NO.	DESCRIPTION	PART NO.	QTY	NO.	DESCRIPTION	PART NO.	QTY	NO.	DESCRIPTION	PART NO.	QTY
1	BOLT (M6x15L)	Z-06-150	1	24	DRIVER GUIDE PLATE	JPS38R-A-008	1	49	CONTACT SPRING	JNS45-S-004	1
2	EXHAUST COVER WASHER	CT64-C-007	1	25	ROLL PIN (Φ3x30L)	R-30-300	1	50	CONTACT ARM	TRS38S-S-001	1
3	EXHAUST COVER	JN45R-C-003	1	27	BODY	TRS38-B-001	1	51	STAPLE GUIDE 2	TRS38S-M-011	1
4	BOLT (M5x30L)	Z-05-300	4	28	GRIP	JN2190-B-004	1	52	PUSHER	JPS38R-M-003	1
5	SPRING WASHER (for M5)	W-05	15	29	END CAP O-RING	JNS45-B-003	1	53	PUSHER CAP	JPS38R-M-008	1
6	CAP	JPS38R-C-001	1	30	END CAP	JNS45-B-002	1	54	PUSHER SPRING	TRS25S-M-005	1
7	GASKET	JPS38R-C-002	1	31	PLUG CAP	9032-B-006	1	57	MAGAZINE BODY	TRS38S-M-001	1
8	CAP WASHER	1651-C-003	1	32	AIR PLUG	9032-B-005	1	58	BOLT (M5x14L)	Z-05-140	4
9	PISTON STOPPER	1651-H-005	1	33	BOLT (M5x35L)	ZN-05-350	2	59	PUSHER STOPPER	JPS38R-M-007	1
10	HEAD VALVE SPRING	1651-H-006	1	34	GUIDE COVER A	JPS38R-G-007	1	60	PUSHER STOPPER SPRING	951-M-011	1
11	HEAD VALVE O-RING (IN)	1651-H-003	1	35	BOLT (M5x20L)	ZN-05-200	1	61	STOPPER SEAL	951-M-008	1
12	HEAD VALVE	1651-H-001	1	36	DRIVER GUIDE	JPS38R-G-001	1	64	BOLT (M5x16L)	Z-05-160	2
13	HEAD VALVE O-RING (OUT)	1651-H-004	1	37	STAPLE GUIDE	JPS38R-G-108	1	65	BRACKET	TRS38S-M-006	1
14	HEAD VALVE SEAL	1651-H-002	1	38	BOLT (M5x12L)	ZN-05-120	1	66	VALVE SET	TRS25S-V-P001	1
15	COLLAR	1651-A-004	1	39	GUIDE COVER LATCH SET	JPS38R-G-P001	1	67	VALVE PLUNGER O-RING	CT64-V-004	1
16	PISTON O-RING	1651-P-003	1	40	GUIDE COVER B	JPS38R-G-003	1	68	VALVE PLUNGER	1850-V-007	1
17	PISTON ASSEMBLY	JPS38R-P-P104	1	41	GUIDE COVER BOLT	JPS38R-G-016	1	69	PLUNGER SPRING	TRS25S-V-009	1
17A	PISTON SET	JPS38R-P-P103	1	42	LATCH BOLT	JPS38R-G-015	1	70	PLUNGER O-RING	CT64-V-008	2
18	CYLINDER	TRS38S-A-001	1	43	LOCK NUT (for M3)	NN-03	2	71	PLUNGER	TRS25S-V-010	1
19	CYLINDER O-RING	1665-A-005	1	44	LOCK NUT (for M5)	NN-05	2	72	PLUNGER CAP O-RING	1013-V-011	1
20	CYLINDER GUIDE	JPS38R-A-002	1	45	ROLL PIN (Φ2.5x16L)	R-25-160	1	73	PLUNGER CAP	TRS25S-V-012	1
21	CYLINDER GUIDE O-RING	JPS38R-A-006	1	46	TRIGGER A (OUT)	JN45R-T-001	1	74	MAGAZINE END CAP	TRS38S-L-001	1
22	SUPPLY HOLE SEAL	1651-A-007	1	47	TRIGGER B (IN)	JN45R-T-002	1	75	BOLT (ROUND HEAD M5x15)	ZRN-05-150	2
23	BUMPER	JPS38R-A-003	1	48	CONTACT HOUSING	JPS38R-S-003	1				

** All the parts of stapler can be changed for improvement and re-design without announcement.

(REV. : 2015/07/21)