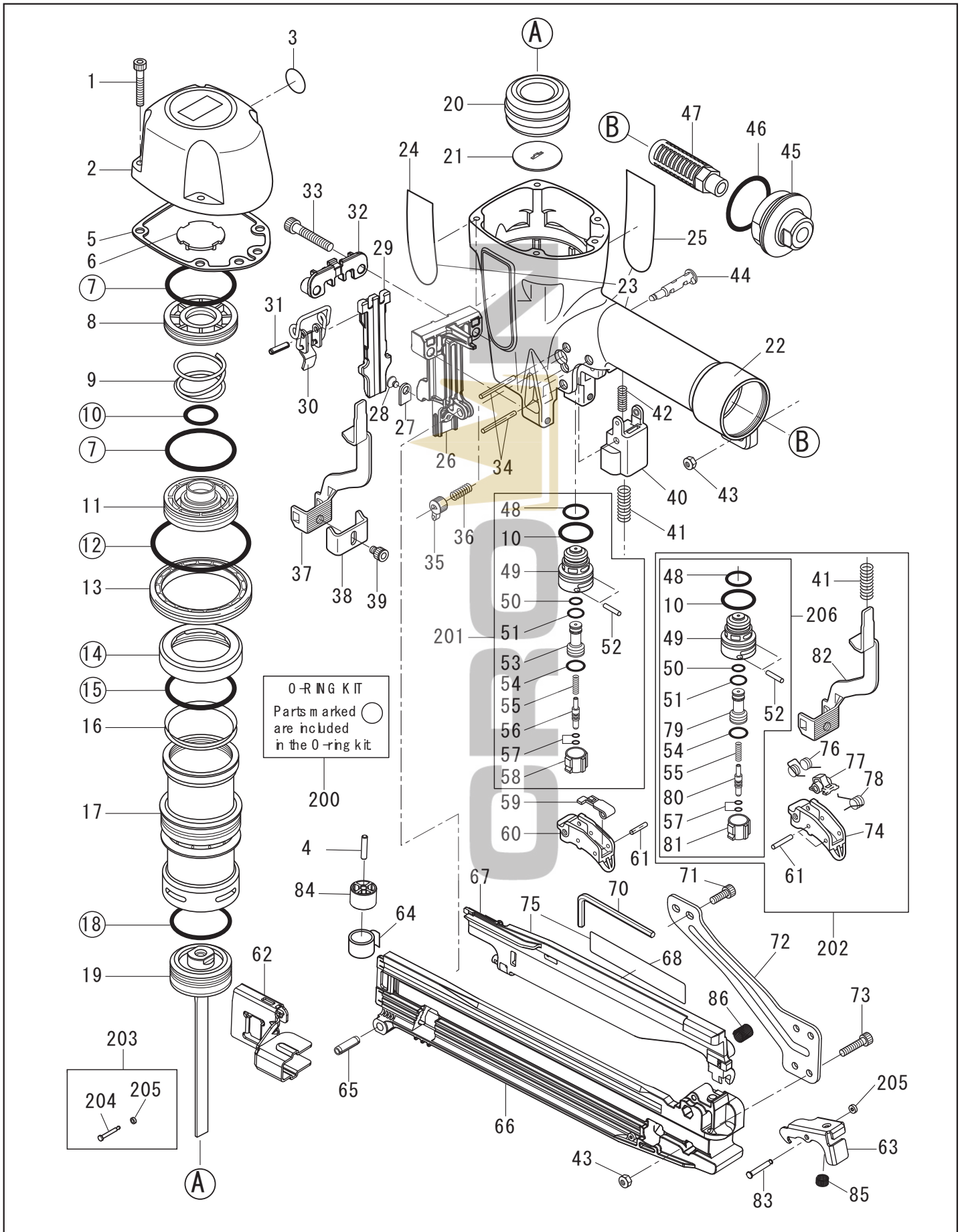


TA551A/16-11

PNEUMATIC STAPLER



MAX PARTS PRICE LIST

JUNE 2010

Model	Part NO	Part Code	Description	List Price	Ratio
TA551A/16-11	1	BB40470	SCREW5x32	\$0.56	10
TA551A/16-11	2	TA18832	CYLINDER CAP (REPLACES TA16996)	\$59.28	1
TA551A/16-11	4	FF31535	STRAIGHT PIN 1535	\$1.32	
TA551A/16-11	5	TA16997	CYLINDER CAP SEAL	\$7.52	10
TA551A/16-11	6	CN33838	EXHAUST SEAL	\$3.08	5
TA551A/16-11	7	HH11170	O RING 1AP48	\$1.00	10
TA551A/16-11	8	CN37216	HEAD VALVE GUIDE	\$2.82	1
TA551A/16-11	9	KK23934	COMP. SPRING 3934	\$2.32	10
TA551A/16-11	10	HH11138	O-RING 1AP20	\$0.44	10
TA551A/16-11	11	CN37217	HEAD VALVE PISTON	\$3.12	1
TA551A/16-11	12	HH12108	O-RING AG60	\$1.80	10
TA551A/16-11	13	CN35060	CYLINDER RING	\$3.12	1
TA551A/16-11	14	CN37824	CYLINDER SEAL (REPLACES CN34682)	\$2.46	10
TA551A/16-11	15	HH19165	O-RING 1A2.6X46.5	\$1.44	10
TA551A/16-11	16	CN35131	CHECK VALVE	\$3.84	10
TA551A/16-11	17	TA18836	CYLINDER (REPLACES TA16998)	\$33.00	1
TA551A/16-11	18	HH11807	O-RING P38, REPLACES PART# HH19908	\$6.50	20
TA551A/16-11	19	TA70278	MAIN PISTON UNIT	\$64.42	10
TA551A/16-11	20	TA17016	BUMPER	\$9.56	10
TA551A/16-11	21	TA17017	NOZZLE	\$2.32	5
TA551A/16-11	22	TA18831	FRAME (REPLACES TA18506)	\$165.00	
TA551A/16-11	23	TA81241	FRAME UNIT (REPLACES TA81112)	\$85.18	
TA551A/16-11	24	TA18834	LABEL A (REPLACES TA18515)	\$2.30	
TA551A/16-11	25	TA18835	LABEL B (REPLACES TA18516)	\$2.30	
TA551A/16-11	26	TA18688	NOSE	\$125.04	1
TA551A/16-11	27	TA18523	WEAR CHIP	\$31.30	50
TA551A/16-11	28	AA22207	COUNTERSUNK SCREW	\$0.26	10
TA551A/16-11	29	TA18509	DRIVER GUIDE B	\$50.56	5
TA551A/16-11	30	TA70256	LATCH UNIT	\$18.08	20
TA551A/16-11	31	FF21275	ROLL PIN 4X16	\$0.26	20
TA551A/16-11	32	TA18508	DRIVER GUIDE A	\$35.20	5
TA551A/16-11	33	BB40465	SCREW M6x45	\$0.56	10
TA551A/16-11	34	FF21611	ROLL PIN 3X32 AW	\$0.20	10
TA551A/16-11	35	CN35074	TRIGGER LOCK DIAL	\$1.10	1
TA551A/16-11	36	KK23507	COMPRESSION SPRING 3507	\$0.20	1
TA551A/16-11	37	TA17007	CONTACT ARM A	\$19.74	5
TA551A/16-11	38	TA17008	CONTACT ARM B	\$3.48	10
TA551A/16-11	39	BB40467	HEX SOC HD SCR 5X6	\$0.26	10
TA551A/16-11	40	TA17001	CONTACT ARM GUIDE	\$3.12	5
TA551A/16-11	41	KK23807	COM SPRING 3807	\$1.06	10
TA551A/16-11	42	KK23282	SPRING 3282	\$1.00	10
TA551A/16-11	43	CC49409	NUT	\$0.26	5
TA551A/16-11	44	CN35075	TRIGGER LOCK LEVER	\$1.10	1
TA551A/16-11	45	CN81224	END CAP (REPLACES TA17032)	\$21.82	1
TA551A/16-11	46	HH12118	O-RING 1AG35	\$1.42	5
TA551A/16-11	47	TA17024	FILTER A---Replaces Old# CN33690	\$11.06	1
TA551A/16-11	48	HH11125	O-RING 1AP12	\$0.44	10
TA551A/16-11	49	CN31323	TRIGGER VALVE HAUSING	\$3.92	1
TA551A/16-11	50	HH11119	O-RING 1AP6	\$0.44	10
TA551A/16-11	51	HH11209	O-RING 1BP7	\$0.44	20
TA551A/16-11	52	FF30161	STRAIGHT PIN 161	\$0.44	5
TA551A/16-11	53	CN31589	PILOT VALVE	\$4.60	5
TA551A/16-11	54	HH11113	O-RING 1AP9	\$0.44	10
TA551A/16-11	55	KK24123	COMPRESSION SPRING 4123	\$1.22	5
TA551A/16-11	56	CN35779	TRIGGER VALVE STEM	\$6.44	5
TA551A/16-11	57	HH11901	O-RING 1B1, 4X2,5	\$0.20	20

MAX PARTS PRICE LIST

JUNE 2010

Model	Part NO	Part Code	Description	List Price	Ratio
TA551A/16-11	58	CN33009	TRIGGER VALVE CAP	\$3.32	10
TA551A/16-11	59	CN35115	CONTACT LEVER	\$1.82	10
TA551A/16-11	60	CN35714	TRIGGER (REPLACES CN35648)	\$1.52	5
TA551A/16-11	61	FF22402	SPRING PIN 2X16	\$0.20	10
TA551A/16-11	62	TA18511	PUSHER	\$24.64	10
TA551A/16-11	63	TA18512	CLICK LEVER	\$5.90	
TA551A/16-11	64	KK44023	SPRING 4023	\$10.76	20
TA551A/16-11	65	FF21613	ROLL PIN 6X20	\$0.56	5
TA551A/16-11	66	TA18510	MAGAZINE	\$15.66	5
TA551A/16-11	67	TA17010	MAGAZINE COVER	\$7.18	5
TA551A/16-11	68	TA18833	WARNING LABEL (REPLACES TA18514)	\$2.86	1
TA551A/16-11	70	TT15401	HEX BAR WRENCH 4, DISCONTINUED	\$0.80	1
TA551A/16-11	71	BB40408	BOLT 5X14	\$0.20	5
TA551A/16-11	72	TA17013	TAIL HANGER	\$13.34	5
TA551A/16-11	73	BB40401	BOLT 5X22, REPLACES TA15301	\$0.20	5
TA551A/16-11	74	CN35714	TRIGGER (REPLACES CN35648)	\$1.52	
TA551A/16-11	75	TA81180	MAGAZINE COVER ASSY	\$14.86	
TA551A/16-11	76	KK33247	SPRING 3247---Replaces Old# KK33145	\$2.82	
TA551A/16-11	77	TA16138	S.T. LEVER, REPLACES PART# CN33730	\$33.68	
TA551A/16-11	78	KK33144	TORSION SPRING 3144	\$2.80	
TA551A/16-11	79	CN33627	PILOT VALVE	\$3.70	
TA551A/16-11	80	CN33723	TRIGGER VALVE STEM	\$2.34	
TA551A/16-11	81	CN31346	TRIGGER VALVE CAP	\$1.68	
TA551A/16-11	82	TA17023	CONTACT ARM FOR ST TRIGGER	\$23.48	
TA551A/16-11	83	FF41599	STEP PIN 1599	\$2.78	
TA551A/16-11	84	GN10424	SPRING COLLAR	\$1.06	
TA551A/16-11	85	KK23287	COM SPRING 3287	\$0.80	
TA551A/16-11	86	KK29015	COMP. SPRING 9015	\$1.50	
TA551A/16-11	200	TA81012	O-RING KIT FOR TA551	\$19.12	5
TA551A/16-11	201	TA81178	TRIGGER VALVE KIT	\$33.64	5
TA551A/16-11	202	TA81011	SEQUENTIAL TRIGGER KIT	\$77.78	
TA551A/16-11	203	TA81014	STEP PIN KIT	\$11.56	
TA551A/16-11	204	FF41842	STEP PIN 1842	\$11.06	
TA551A/16-11	205	EE39609	RUBBER WASHER 1.8X6.2	\$0.72	
TA551A/16-11	206	CN80150	SEQUENTIAL TRIGGER VALVE ASSY	\$17.10	

