

PARTS LEGEND

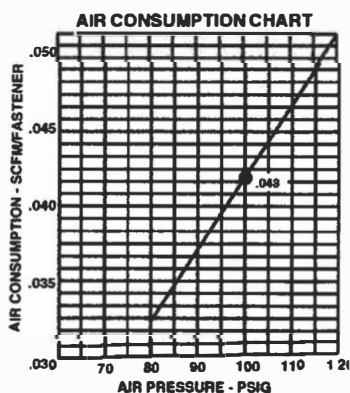
T250S-F16, 501680

| | | | | | | | |
|-----|--------|---|-------------------------|------|--------|---|-----------------------|
| 1 | 501885 | 1 | T.H.S.C.S. 1/4-20 x 1/2 | 45 | 501092 | 1 | Dust Cover |
| 2 | 501896 | 1 | Flat Washer | 46 | 501972 | 2 | Bolt |
| 3 | 501899 | 1 | Deflector | 47 | 501091 | 1 | Air Plug |
| 4 | 501901 | 1 | Bolt | 48 | 501939 | 1 | Belt Hook |
| 5 | 501902 | 1 | Cap | 49 | 501938 | 2 | Hex S.H.C.S. |
| 6 | 501903 | 1 | Seal | 50 | 501998 | 1 | Spring Pin |
| 7 | 501904 | 1 | Spring, Main Valve | 51 | 501931 | 1 | Spring Pin |
| *8 | 501905 | 2 | O-Ring | 52 | 501089 | 1 | Urethane Retainer |
| 9 | 501906 | 1 | Head Valve Piston | 53 | 501963 | 1 | Steel Channel |
| *10 | 501907 | 1 | O-Ring | 54 | 501966 | 1 | Safety B |
| 11 | 501908 | 1 | Collar | 55 | 501967 | 1 | Safety Spring |
| *12 | 501909 | 1 | Packing | 56 | 501968 | 1 | E-Ring |
| *13 | 501910 | 1 | Piston Ring | 57 | 501969 | 1 | Adjust Shaft |
| *14 | 501911 | 1 | O-Ring | 58 | 501387 | 1 | Spring |
| *15 | 501912 | 1 | Driver Blade | 59 | 501970 | 1 | Safety A |
| 16 | 501920 | 1 | Cylinder Press Ring | 60 | 501971 | 1 | No Mar Tip |
| 17 | 501913 | 1 | O-Ring | 61 | 501951 | 1 | Latch Cover |
| 18 | 501914 | 1 | Cylinder | 62 | 501950 | 2 | Spiral Pin |
| 19 | 501915 | 1 | Cylinder Ring | 63 | 501949 | 1 | Front Latch Handle |
| 20 | 501916 | 1 | Cylinder Spacer | 64 | 501948 | 1 | Front Latch |
| 21 | 501917 | 1 | O-Ring | 65 | 501947 | 1 | Driver Guide Cover |
| *22 | 501918 | 1 | Bumper | 66 | 501946 | 1 | Spiral Pin |
| 23 | 501919 | 1 | Driver Guide | 67 | 501940 | 2 | Hex Soc.Hd.Bolt |
| *24 | 501921 | 1 | O-Ring | 68 | 501941 | 1 | Driver Guide Cover B |
| *25 | 501922 | 1 | O-Ring | 69 | 501942 | 1 | Driver Guide |
| 26 | 501923 | 1 | Plunger Cap | 70 | 501943 | 1 | Stopper Finger Spring |
| 27 | 501930 | 2 | Spring Pin | 71 | 501944 | 1 | Stopper |
| 28 | 501924 | 1 | Valve Plunger | 72 | 501945 | 1 | Fixed Pin |
| *29 | 501925 | 2 | O-Ring | 73 | 501953 | 1 | Pusher Spring |
| *30 | 501926 | 1 | O-Ring | 74 | 501954 | 1 | Pusher |
| 31 | 501927 | 1 | Spring | 75 | 501955 | 1 | Spring Pin |
| 32 | 501928 | 1 | Plunger | 76 | 501952 | 1 | Anchor Block |
| 33 | 500999 | 2 | O-Ring | 77 | 501956 | 1 | Negator Spring |
| 34 | 501929 | 1 | Trigger Valve Head | *78 | 501960 | 1 | Magazine Steel Cover |
| 35 | 501932 | 1 | Spring | 79 | 501961 | 1 | Counter Sunk Screw |
| 36 | 501933 | 1 | Trigger Unit | 80 | 501959 | 1 | Tap Bolt |
| 37 | 501965 | 2 | Tap Bolt | 81 | 501958 | 1 | Protecting Hood Cover |
| 38 | 501962 | 1 | Lock Nut | 82 | 501962 | 1 | Lock Nut |
| 39 | 501964 | 1 | Magazine B | 83 | 501957 | 1 | Magazine A |
| 40 | 501961 | 1 | Counter Sunk Screw | 84 | 501973 | 1 | Nameplate |
| 41 | 501934 | 1 | Trigger Pivot Pin | 85 | 501302 | 1 | Warning Label |
| 42 | 501935 | 1 | Housing | **86 | 501140 | 1 | Housing Label-left |
| 43 | 501936 | 1 | O-Ring | 87 | 501141 | 1 | Housing Label-right |
| 44 | 501937 | 1 | End Cap | 88 | 501995 | 1 | Tap Bolt |

* Denotes Normal Wear Items.

** Make sure Warning Label (501302) is properly affixed. Replace if necessary.

Label available at no charge through the Service Parts Dept.



SAFETY INSTRUCTIONS

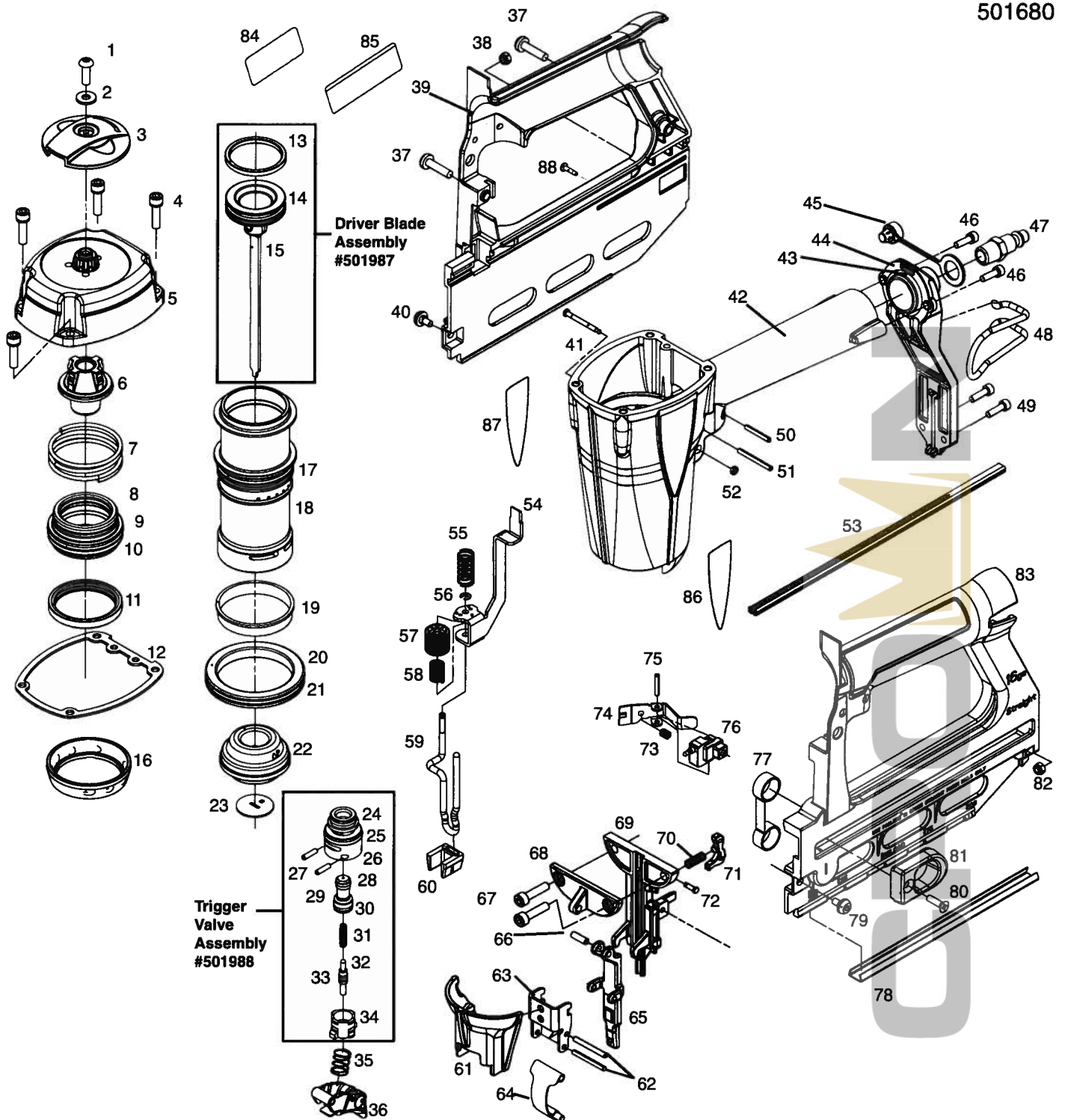
WEAR EYE AND HEARING PROTECTION

Always wear hearing protection and eye protection devices, including side shields when operating or working in the vicinity of a tool.

DO NOT EXCEED MAXIMUM RECOMMENDED AIR PRESSURE

Operate the tool using only the recommended air pressure. Do not exceed the maximum air pressure marked on the tool. Be sure the air pressure gauge is operating properly and check it at least twice a day.

Never use any bottled air or gases such as oxygen to operate the tool since they could cause the tool to explode.



Assembly Hardware System - Metric

⚠ WARNING
 All parts must be periodically inspected and replaced if worn or broken. Failure to do this can affect the tool's operation and present a safety hazard.

ACCESSORIES

Lubricants

Lubricating Oil 16 oz.

Part No. 403720

Lubricating Oil with Antifreeze 8 oz.

Part No. 219090

Chemplex 710 Lubricant 1lb.

Part No. 403734

Tool Cleaner

Ideal cleaner for all Paslode tools.

Part No. 219348

Safety Glasses

Clear



Part No. 401382

Tool Case

Handy carrying case that conveniently stores your tool with room for additional accessories.

Part No. 501978



An Illinois Tool Works Company
888 Forest Edge Drive
Vernon Hills, Illinois 60061-8117