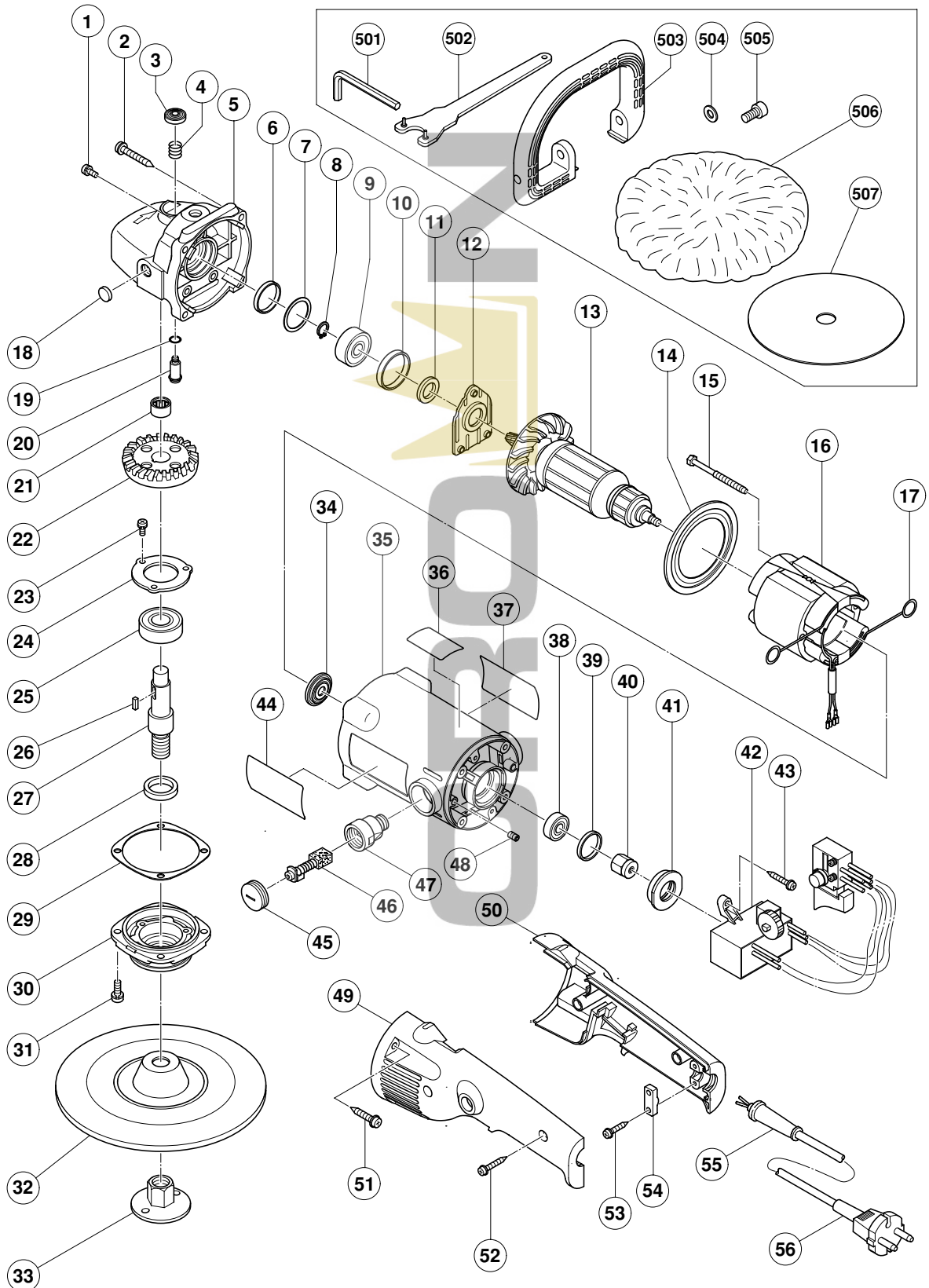


## ELECTRIC TOOL PARTS LIST

### ■ ELECTRONIC SANDER POLISHER 2002 · 6 · 20 Model SP 18VA (E1)



## PARTS

SP 18VA

ITEM NO.	CODE NO.	DESCRIPTION	NO. USED	REMARKS
1	303-255	SEAL LOCK SCREW (W/SP. WASHER) M4X10	3	
2	305-507	TAPPING SCREW (W/FLANGE) D5X30	4	
3	306-888	PUSHING BUTTON	1	
4	306-889	SPRING	1	
5	320-936	GEAR COVER ASS'Y	1	INCLUD.3,4,18-21
6	315-055	SEAL RING (A)	1	
7	315-054	WASHER (A)	1	
8	939-540	RETAINING RING FOR D10 SHAFT (10 PCS.)	1	
9	620-0DD	BALL BEARING 6200DDCMPS2L	1	
10	315-053	RUBBER RING (A)	1	
11	315-052	FELT PACKING (B)	1	
12	315-051	BEARING COVER (B)	1	
* 13	360-576U	ARMATURE ASS'Y 110V-120V	1	INCLUD.9,11,34,38
* 13	360-576E	ARMATURE 220V-240V	1	
14	315-046	FAN GUIDE	1	
15	961-501	HEX. HD. TAPPING SCREW D5X60	2	
* 16	340-526C	STATOR ASS'Y 110V	1	INCLUD.17
* 16	340-526D	STATOR ASS'Y 120V	1	INCLUD.17
* 16	340-526E	STATOR ASS'Y 220V-240V	1	INCLUD.17
17	930-703	BRUSH TERMINAL	2	
18	315-049	FELT WASHER	1	
19	320-218	O-RING	1	
20	315-050	LOCK PIN	1	
21	871-397	NEEDLE BEARING (NTN HK1210)	1	
22	320-937	GEAR	1	
23	987-201	SEAL LOCK SCREW (W/SP. WASHER) M4X10	3	
24	937-077	BEARING COVER (A)	1	
25	620-2DD	BALL BEARING 6202DDCMPS2L	1	
26	940-533	FEATHER KEY 3X3X10	1	
* 27	320-943	SPINDLE	1	
* 27	320-944	SPINDLE	1	FOR USA,CAN
28	315-062	FELT PACKING (A)	1	
29	315-060	SEAL PACKING	1	
30	315-061	PACKING GLAND	1	
31	315-636	SEAL LOCK SCREW (W/SP.WASHER)M5X14(BLACK)	4	
* 32	953-255	RUBBER PAD (D16 HOLE)	1	
* 32	953-247Z	RUBBER PAD (D14 HOLE)	1	FOR USA,CAN
* 33	953-246Z	WASHER NUT M14	1	
* 33	953-254P	WASHER NUT 5/8"-11UNC	1	FOR USA,CAN
34	315-047	DUST SEAL	1	
35	320-945	HOUSING ASS'Y	1	INCLUD.39,41,47,48
36	320-948	SETTING LABEL	1	
* 37		NAME PLATE	1	
38	608-VVM	BALL BEARING 608VVC2PS2L	1	
39	995-662	RUBBER RING	1	
40	318-721	MAGNET	1	
41	320-946	BEARING BUSHING	1	
* 42	320-941	CONTROLLER SWITCH	1	
* 42	320-940	CONTROLLER SWITCH	1	FOR GBR (110V),USA,CAN
43	305-095	TAPPING SCREW (W/FLANGE) D4X20	2	
44		HITACHI LABEL	1	



