

MAX PARTS PRICE LIST

JUNE 2010

Model	Part NO	Part Code	Description	List Price	Ratio
SN883CH/34	1	BB40406	SCREW M5x12	\$0.26	1
SN883CH/34	2	KN12187	EXHAUST FILTER	\$9.80	1
SN883CH/34	3	KN12194	EXHAUST COVER	\$4.12	1
SN883CH/34	4	BB40429	SCREW M6X28, --- Replaces Old# BB40825	\$0.36	10
SN883CH/34	5	KN70093	CYLINDER CAP UNIT	\$49.06	10
SN883CH/34	6	KK23976	COMP SPRING 3976	\$1.26	5
SN883CH/34	7	KN12186	PISTON STOP	\$13.10	10
SN883CH/34	8	KN12185	HEAD VALVE PISTON	\$39.30	5
SN883CH/34	9	HH14150	O-RING AS568-150	\$8.20	10
SN883CH/34	10	HH11161	O-RING ARP568-142	\$2.32	20
SN883CH/34	11	KN70097	CYLINDER CAP SEAL UNIT	\$10.52	1
SN883CH/34	12	HH19218	O-RING 4.5X48.7	\$5.46	20
SN883CH/34	13	KN70111	MAIN PISTON UNIT	\$96.62	1
SN883CH/34	14	KN12189	CYLINDER SEAL	\$9.80	10
SN883CH/34	15	KN12190	CYLINDER RING	\$4.38	10
SN883CH/34	16	HH12121	O-RING 1AG100	\$3.30	1
SN883CH/34	17	HH12107	O-RING 1AG70	\$2.56	5
SN883CH/34	18	KN12188	CYLINDER	\$67.00	1
SN883CH/34	19	CN35325	CHECK VALVE	\$3.20	1
SN883CH/34	20	KN12193	BUMPER	\$13.10	10
SN883CH/34	21	KN81055	FRAME (REPLACES KN81019)	\$137.84	10
SN883CH/34	22	KN12205	NAME LABEL A	\$6.70	20
SN883CH/34	23	KN12206	NAME LABEL B	\$6.70	20
SN883CH/34	24	BB40460	BOLT 5X28	\$0.20	5
SN883CH/34	25	CN35685	END CAP FILTER SA-10	\$10.64	1
SN883CH/34	26	KN81039	END CAP (REPLACES KN11247)	\$23.40	5
SN883CH/34	27	EE31121	WASHER 1-5	\$0.20	5
SN883CH/34	28	HH11125	O-RING 1AP12	\$0.44	1
SN883CH/34	29	HH11138	O-RING 1AP20	\$0.44	5
SN883CH/34	30	CN33909	TRIGGER VALVE HOUSING	\$3.70	1
SN883CH/34	31	FF30161	STRAIGHT PIN 161	\$0.44	10
SN883CH/34	32	HH11119	O-RING 1AP6	\$0.44	10
SN883CH/34	33	HH11209	O-RING 1BP7	\$0.44	10
SN883CH/34	34	CN31589	PILOT VALVE	\$4.60	1
SN883CH/34	35	HH11113	O-RING 1AP9	\$0.44	1
SN883CH/34	36	KK24161	COMPRESSION SPRING 4161	\$0.80	20
SN883CH/34	37	KN12214	TRIGGER VALVE STEM	\$4.64	20
SN883CH/34	38	HH11901	O-RING 1B1, 4X2,5	\$0.20	5
SN883CH/34	39	CN33910	TRIGGER VALVE CAP	\$2.04	20
SN883CH/34	40	HS10144	CONTACT LEVER B	\$4.64	10
SN883CH/34	41	KN12274	CONTACT LEVER A	\$6.70	5
SN883CH/34	42	KN12401	TRIGGER, REPLACES HS10147	\$3.10	20
SN883CH/34	43	FF22402	SPRING PIN 2X16	\$0.20	5
SN883CH/34	44	HS10145	SWITCH LEVER A	\$3.08	5
SN883CH/34	45	HS10146	SWITCH LEVER B	\$5.16	10
SN883CH/34	46	CN34500	SPRING LEVER	\$2.50	10
SN883CH/34	47	KK23129	COMPRESSION SPRING 3129	\$0.20	10
SN883CH/34	48	KK23943	COMPRESSION SPRING 3943	\$0.82	10
SN883CH/34	49	KN12207	ARM GUIDE	\$3.12	10
SN883CH/34	50	TA15144	EXHAUST SEAL	\$2.06	5
SN883CH/34	51	KN12212	CONTACT ARM A	\$5.88	5
SN883CH/34	52	HH14729	O-RING AS568-144	\$1.64	5
SN883CH/34	53	KN12200	ADJUST DIAL	\$1.30	5
SN883CH/34	54	KN12223	NOSE	\$164.64	5
SN883CH/34	55	BB40415	SCREW M5X10	\$0.20	5
SN883CH/34	56	HH12111	O-RING 1AG45	\$1.42	5

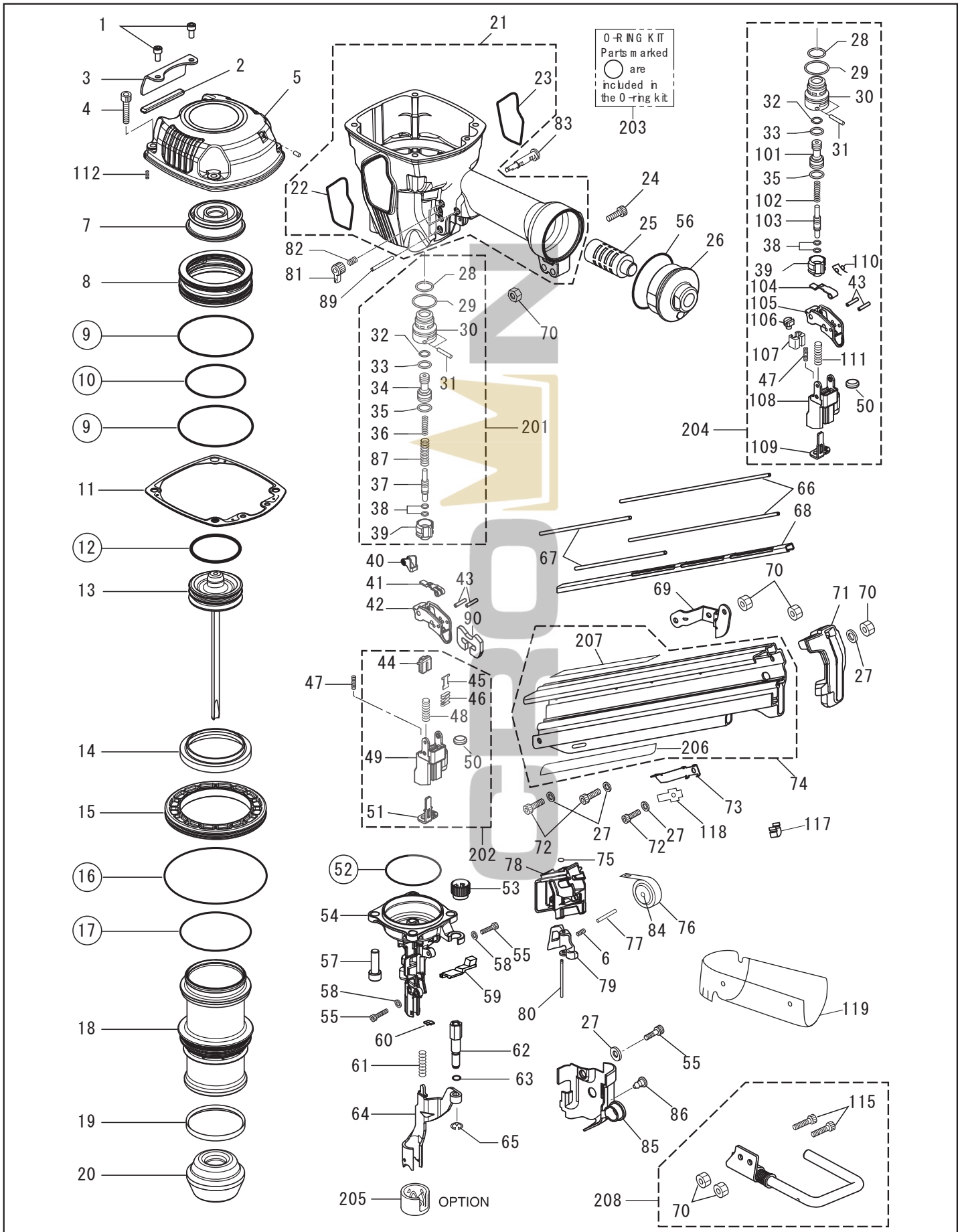
MAX PARTS PRICE LIST

JUNE 2010

Model	Part NO	Part Code	Description	List Price	Ratio
SN883CH/34	57	BB40443	SCREW M8X28	\$0.44	10
SN883CH/34	58	EE39172	PLAIN WASHER 5.1X12X1.2	\$2.60	20
SN883CH/34	59	KN12224	MAGAZINE GUIDE B	\$2.56	10
SN883CH/34	60	KN12216	MAGAZINE GUIDE A	\$1.06	1
SN883CH/34	61	KK23964	COMPRESSION SPRING 3964	\$0.80	20
SN883CH/34	62	KN12222	CONTACT BOLT	\$23.98	10
SN883CH/34	63	HH12904	O-RING 1A1X6.2	\$1.06	10
SN883CH/34	64	KN70120	CONTACT ARM B UNIT	\$45.94	1
SN883CH/34	65	JJ10102	E-RING 5	\$0.26	10
SN883CH/34	66	KN12210	NAIL GUIDE B	\$2.08	5
SN883CH/34	67	KN12227	NAIL GUIDE A	\$4.12	5
SN883CH/34	68	KN12226	NAIL COVER	\$23.92	5
SN883CH/34	69	KN12228	TAIL HANGER	\$5.14	1
SN883CH/34	70	CC49411	ELASTIC STOP NUT M5, REPLACES TA15554	\$0.20	10
SN883CH/34	71	KN12229	TAIL COVER	\$6.14	5
SN883CH/34	72	BB40408	BOLT 5X14	\$0.20	5
SN883CH/34	73	KN12419	NAIL STOPPER, REPLACES KN12182	\$2.86	10
SN883CH/34	74	KN81022	MAGAZINE ASSY, Replaces KN12225	\$85.20	5
SN883CH/34	75	EE39609	RUBBER WASHER 1.8X6.2	\$0.72	5
SN883CH/34	76	KK44021	SPIRAL SPRING 4021	\$9.24	5
SN883CH/34	77	FF31572	PIN 1572	\$0.80	5
SN883CH/34	78	KN12232	PUSHER HOLDER	\$4.64	5
SN883CH/34	79	KN12230	PUSHER	\$54.16	5
SN883CH/34	80	FF31603	PIN 1603	\$1.86	1
SN883CH/34	81	CN35075	TRIGGER LOCK LEVER	\$1.10	5
SN883CH/34	82	KK23507	COMPRESSION SPRING 3507	\$0.20	20
SN883CH/34	83	CN35074	TRIGGER LOCK DIAL	\$1.10	5
SN883CH/34	84	GN10424	SPRING COLLAR	\$1.06	5
SN883CH/34	85	KN12231	ARM COVER	\$4.12	1
SN883CH/34	86	CN31083	DUST COVER HOOK	\$0.44	1
SN883CH/34	87	KK24162	COMPRESSION SPRING 4162	\$0.80	1
SN883CH/34	89	FF21235	ROLL PIN 3 X 30	\$0.20	5
SN883CH/34	90	KN12402	SWITCHING LEVER, REPLACES KN12213	\$3.10	5
SN883CH/34	91	KN12402	SWITCHING LEVER, REPLACES KN12213	\$3.10	1
SN883CH/34	101	CN32246	PILOT VALVE, REPLACES Old# CN30682	\$4.10	5
SN883CH/34	102	KK24123	COMPRESSION SPRING 4123	\$1.22	5
SN883CH/34	103	CN35128	TRIGGER VALVE STEM	\$2.86	1
SN883CH/34	104	HN10100	CONTACT LEVER	\$5.90	5
SN883CH/34	105	HS10118	TRIGGER	\$3.12	5
SN883CH/34	106	HN10786	ARM GUIDE PLATE	\$1.06	10
SN883CH/34	107	KN12277	CONTACT ARM GUIDE	\$70.14	5
SN883CH/34	108	KN12278	ARM GUIDE	\$15.70	1
SN883CH/34	109	KN12276	CONTACT ARM A	\$12.10	1
SN883CH/34	110	KK33300	SPRING 3300	\$17.46	1
SN883CH/34	111	KK23973	COMP SPRING 3973	\$5.88	1
SN883CH/34	112	KK23944	COMPRESSION SPRING 3944	\$0.26	10
SN883CH/34	201	KN81017	TRIGGER VALVE KIT	\$25.42	10
SN883CH/34	202	KN81018	ARM GUIDE KIT	\$30.94	1
SN883CH/34	203	KN81016	O-RING KIT	\$31.82	1
SN883CH/34	204	KN81027	SEQUENTIAL TRIP KIT	\$90.60	1
SN883CH/34	205	KN11237	CONTACT TIP	\$6.08	1
SN883CH/34	206	KN12234	NAME LABEL	\$3.50	1
SN883CH/34	207	KN12233	CAUTION LABEL	\$3.06	1

SN883CH/28

FRAMING STICK NAILER



MAX PARTS PRICE LIST

JUNE 2010

Model	Part NO	Part Code	Description	List Price	Ratio
SN883CH/28	1	BB40406	SCREW M5x12	\$0.26	1
SN883CH/28	2	KN12187	EXHAUST FILTER	\$9.80	1
SN883CH/28	3	KN12194	EXHAUST COVER	\$4.12	1
SN883CH/28	4	BB40429	SCREW M6X28, --- Replaces Old# BB40825	\$0.36	10
SN883CH/28	5	KN70093	CYLINDER CAP UNIT	\$49.06	10
SN883CH/28	6	KK23976	COMP SPRING 3976	\$1.26	5
SN883CH/28	7	KN12186	PISTON STOP	\$13.10	10
SN883CH/28	8	KN12185	HEAD VALVE PISTON	\$39.30	5
SN883CH/28	9	HH14150	O-RING AS568-150	\$8.20	10
SN883CH/28	10	HH11161	O-RING ARP568-142	\$2.32	20
SN883CH/28	11	KN70097	CYLINDER CAP SEAL UNIT	\$10.52	1
SN883CH/28	12	HH19218	O-RING 4.5X48.7	\$5.46	20
SN883CH/28	13	KN70136	MAIN PISTON UNIT	\$79.20	1
SN883CH/28	14	KN12189	CYLINDER SEAL	\$9.80	10
SN883CH/28	15	KN12190	CYLINDER RING	\$4.38	10
SN883CH/28	16	HH12121	O-RING 1AG100	\$3.30	1
SN883CH/28	17	HH12107	O-RING 1AG70	\$2.56	5
SN883CH/28	18	KN12188	CYLINDER	\$67.00	1
SN883CH/28	19	CN35325	CHECK VALVE	\$3.20	1
SN883CH/28	20	KN12193	BUMPER	\$13.10	10
SN883CH/28	21	KN81055	FRAME (REPLACES KN81019)	\$137.84	10
SN883CH/28	22	KN12205	NAME LABEL A	\$6.70	20
SN883CH/28	23	KN12206	NAME LABEL B	\$6.70	20
SN883CH/28	24	BB40460	BOLT 5X28	\$0.20	5
SN883CH/28	25	CN35685	END CAP FILTER SA-10	\$10.64	1
SN883CH/28	26	KN81039	END CAP (REPLACES KN11247)	\$23.40	5
SN883CH/28	27	EE31121	WASHER 1-5	\$0.20	5
SN883CH/28	28	HH11125	O-RING 1AP12	\$0.44	1
SN883CH/28	29	HH11138	O-RING 1AP20	\$0.44	5
SN883CH/28	30	CN33909	TRIGGER VALVE HOUSING	\$3.70	1
SN883CH/28	31	FF30161	STRAIGHT PIN 161	\$0.44	10
SN883CH/28	32	HH11119	O-RING 1AP6	\$0.44	10
SN883CH/28	33	HH11209	O-RING 1BP7	\$0.44	10
SN883CH/28	34	CN31589	PILOT VALVE	\$4.60	1
SN883CH/28	35	HH11113	O-RING 1AP9	\$0.44	1
SN883CH/28	36	KK24161	COMPRESSION SPRING 4161	\$0.80	20
SN883CH/28	37	KN12214	TRIGGER VALVE STEM	\$4.64	20
SN883CH/28	38	HH11901	O-RING 1B1, 4X2,5	\$0.20	5
SN883CH/28	39	CN33910	TRIGGER VALVE CAP	\$2.04	20
SN883CH/28	40	HS10144	CONTACT LEVER B	\$4.64	10
SN883CH/28	41	KN12274	CONTACT LEVER A	\$6.70	5
SN883CH/28	42	KN12401	TRIGGER, REPLACES HS10147	\$3.10	20
SN883CH/28	43	FF22402	SPRING PIN 2X16	\$0.20	5
SN883CH/28	44	HS10145	SWITCH LEVER A	\$3.08	5
SN883CH/28	45	HS10146	SWITCH LEVER B	\$5.16	10
SN883CH/28	46	CN34500	SPRING LEVER	\$2.50	10
SN883CH/28	47	KK23129	COMPRESSION SPRING 3129	\$0.20	10
SN883CH/28	48	KK23943	COMPRESSION SPRING 3943	\$0.82	10
SN883CH/28	49	KN12207	ARM GUIDE	\$3.12	10
SN883CH/28	50	TA15144	EXHAUST SEAL	\$2.06	5
SN883CH/28	51	KN12212	CONTACT ARM A	\$5.88	5
SN883CH/28	52	HH14729	O-RING AS568-144	\$1.64	5
SN883CH/28	53	KN12200	ADJUST DIAL	\$1.30	5
SN883CH/28	54	KN12404	NOSE	\$157.54	5
SN883CH/28	55	BB40415	SCREW M5X10	\$0.20	5
SN883CH/28	56	HH12111	O-RING 1AG45	\$1.42	5