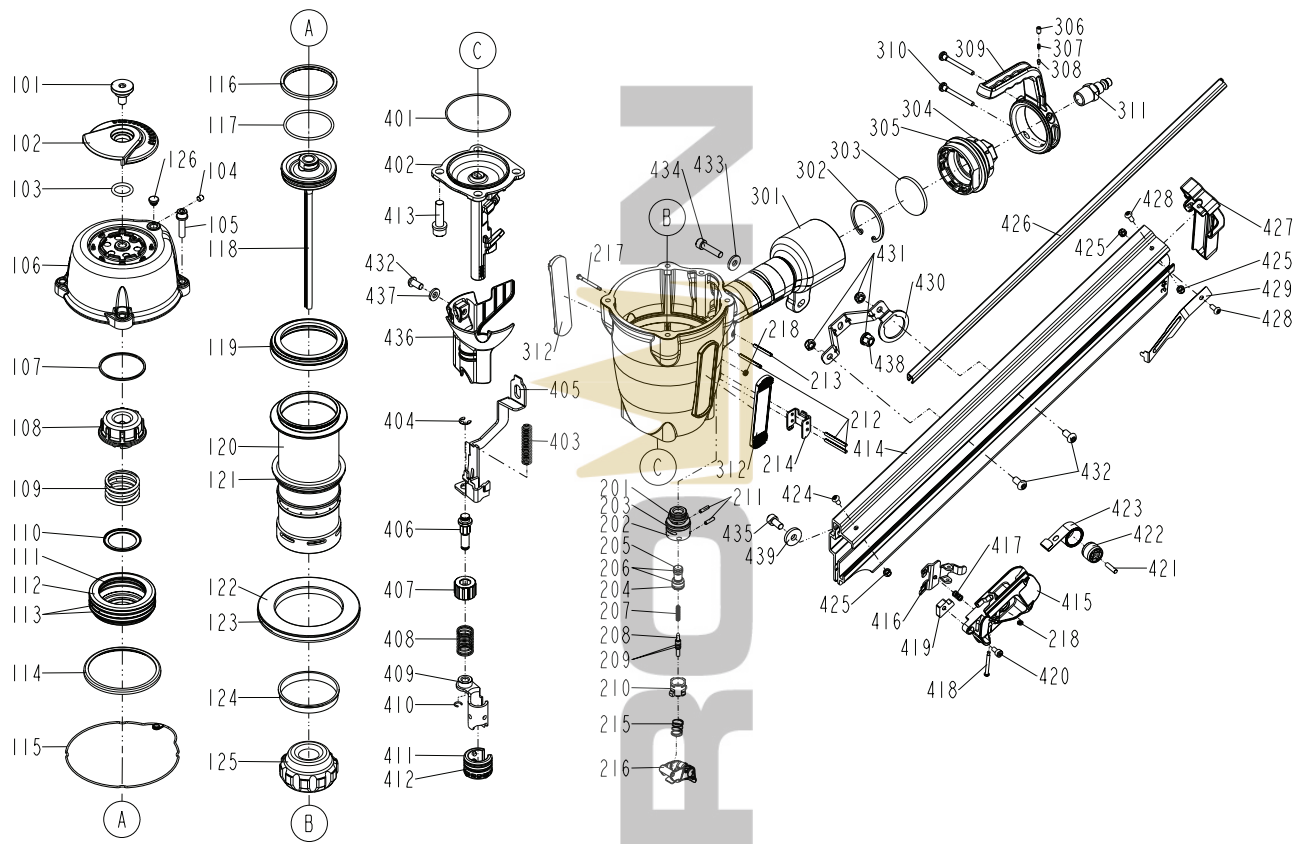


214	810825	SAFETY GUIDE	\$1.40
215	810882	SPRING	\$0.14
216	810101	TRIGGER	\$9.40
217	810415	TRIGGER PIVOT PIN	\$0.44
218	920627	RETAINER	\$0.28
301	810202	GUN BODY UNIT	\$69.08
302	820821	C - RING	\$0.48
303	820383	FILTER	\$2.12

431	830009	LOCK NUT	\$0.08
432	820687	HALF ROUND HD.HEX.BOLT	\$0.16
433	820811	FLAT WASHER	\$0.32
434	820663	SHCS	\$0.16
435	820660	SHCS	\$0.24
436	820373	SAFETY COVER	\$1.72
437	820803	FLAT WASHER	\$0.08
438	830015	NUT	\$0.16
439	820806	FLAT WASHER	\$0.14





SN3490

Item	Part Number	Description	Price
101	920800	DEFLECTOR BOLT	\$2.48
102	920801	DEFLECTOR	\$3.20
103	920802	O - RING	\$0.24
104	920502	SHCS	\$0.16
105	820620	SHCS	\$0.32
106	820158	CAP	\$37.92
107	820401	ORING	\$0.56
108	820308	SEAL	\$7.08
109	810865	COMPRESSION SPRING	\$1.44
110	820407	WASHER	\$1.48
111	830350	O - RING	\$1.72
112	820145	HEAD VALVE	\$20.12
113	830362	O - RING	\$1.24
114	820200	PRESS RING	\$1.44
115	810312	GASKET	\$1.24
116	810968	PISTON RING	\$5.28
117	830240	O - RING	\$0.44
118	810003	DRIVER UNIT	\$75.92
119	820559	COLLAR	\$3.72
120	810505	CYLINDER	\$67.16
121	830335	O - RING	\$0.40
122	810517	CYLINDER SPACER	\$1.92
123	830363	O - RING	\$0.84
124	810532	CYLINDER RING	\$0.64
125	810605	BUMPER	\$10.32
126	820064	GROMMET	\$0.52
201	920519	O - RING	\$0.16
202	920520	UPPER TRIGGER VALVE	\$2.72
203	920521	O - RING	\$0.16
204	920524	O - RING	\$0.16
205	810909	VALVE PLUNGER	\$2.48
206	920522	O - RING	\$0.16
207	920525	SPRING	\$0.12
208	920823	PLUNGER	\$0.20
209	920526	O - RING	\$0.12
210	920528	LOWER TRIGGER VALVE	\$1.36
211	920529	ROLL PIN	\$0.16
212	920530	ROLL PIN	\$0.12
213	920678	ROLL PIN	\$0.12

Item	Part Number	Description	Price
304	810928	END CAP	\$10.16
305	830347	O - RING	\$0.88
306	820698	SET SCREW	\$0.11
307	810346	SPRING	\$0.12
308	820172	LOCK OUT TAB	\$0.28
309	810845	BELT HOOK	\$4.92
310	820419	SHCS	\$0.36
311	820082	AIR PLUG	\$2.36
312	820058	SIDE PROTECTION	\$1.80
401	830250	O - RING	\$0.32
402	820423	NOSE	\$75.60
403	810815	SPRING	\$0.36
404	820830	E - RING	\$0.08
405	810716	LOWER SAFETY	\$11.64
406	810107	DEPTH ADJUSTMENT ROD	\$7.36
407	820533	DEPTH ADJUSTMENT	\$0.64
408	820511	SPRING	\$0.16
409	810710	WORK CONTACT	\$4.96
410	810416	C-CLIP	\$0.08
411	810834	NO MAR TIP	\$0.84
412	810436	C-CLIP	\$0.40
413	820623	SHCS	\$0.60
414	820502	MAGAZINE	\$70.44
415	820204	FOLLOWER HANDLE	\$2.12
416	820116	FOLLOWER	\$2.36
417	920379	SPRING	\$0.20
418	810414	FIXED PIN	\$0.36
419	820207	BLOCK	\$1.44
420	920687	SHCS	\$0.20
421	820432	ROLL PIN	\$0.32
422	920186	ROLLING ELEMENT	\$1.00
423	810854	SPRING	\$5.28
424	920664	SHCS	\$0.36
425	920147	LOCK NUT	\$0.16
426	820545	STEEL CHANNEL	\$5.24
427	820519	MAGAZINE END CAP	\$3.04
428	920328	HALF ROUND HD.HEX.BOLT	\$0.28
429	810345	NAIL STOP	\$1.68
430	810537	MAGAZINE BRACKET	\$3.48

Continued Next Page