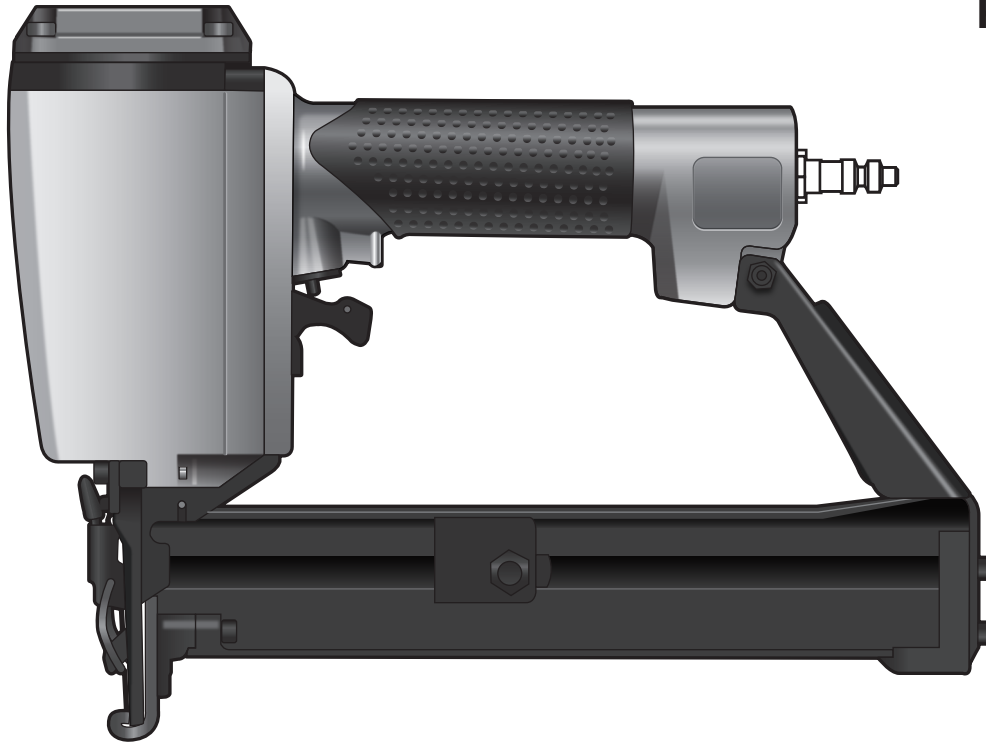




SKSXP

1 1/2" Medium/Heavy Wire Stapler



Parts Reference Guide
Guía de referencia de piezas
Pièces Guide de référence

Schematic Drawings Inside
Plano esquemático en el interior
Schéma intérieur

Repair Kit
YK0376

SENCO®

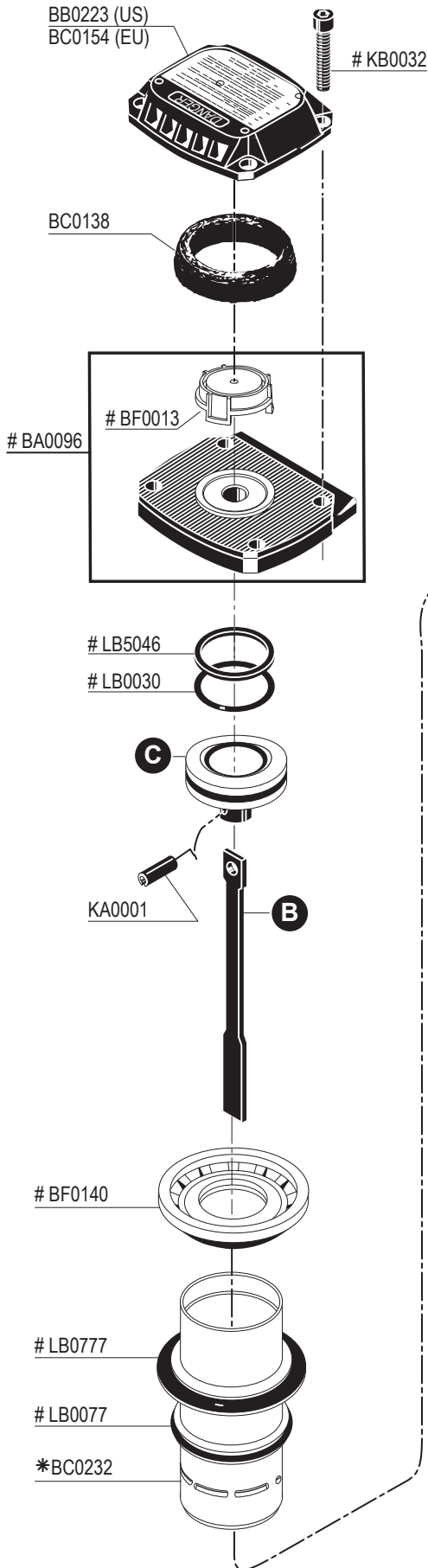
Senco Brands, Inc.
4270 Ivy Pointe Blvd.
Cincinnati, OH 45245
1-800-543-4596
www.senco.com

NFG030 • Revised February 22, 2016 (Replaces 5/29/2015)

Questions? Comments? call SENCO's toll-free Action-Line: 1-800-543-4596
(North and South America Only) or email: toolprof@senco.com

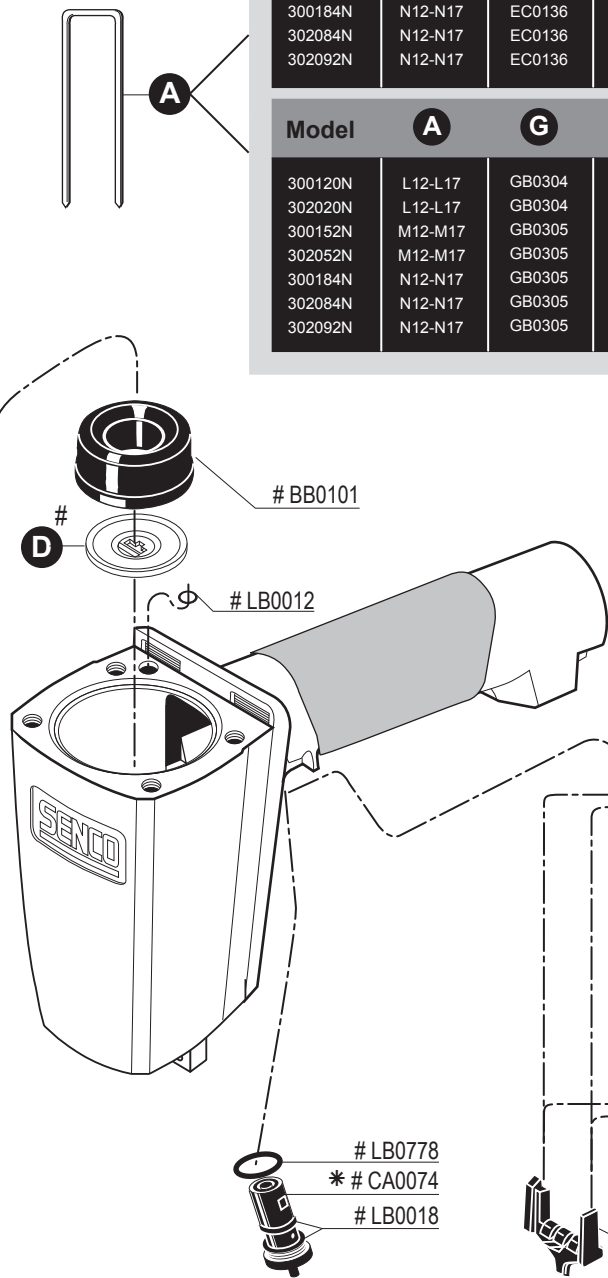
¿Tiene preguntas? ¿Comentarios? Llame a la línea gratuita de acción de Senco: 1-800-543-4596
(sólo para América del Norte y del Sur) o envíe un correo electrónico: toolprof@senco.com

Des questions? Des commentaires? Communiquez avec le service d'assistance sans frais de Senco : 1-800-543-4596
(Amérique du Nord et Amérique du Sud seulement) ou envoyer un courriel: toolprof@senco.com



| Model | A | B | C | D | E | F |
|---------|---------|--------|--------|--------|--------|--------|
| 300120N | L12-L17 | EC0178 | EC0168 | BF0070 | FC0071 | GC0330 |
| 302020N | L12-L17 | EC0178 | EC0168 | BF0070 | FC0071 | GC0330 |
| 300152N | M12-M17 | EC0135 | EC0168 | BF0069 | FC0073 | GC0331 |
| 302052N | M12-M17 | EC0135 | EC0168 | BF0069 | FC0073 | GC0331 |
| 300184N | N12-N17 | EC0136 | EC0118 | BF0068 | FC0075 | GC0331 |
| 302084N | N12-N17 | EC0136 | EC0118 | BF0068 | FC0075 | GC0331 |
| 302092N | N12-N17 | EC0136 | EC0118 | BF0068 | FC0075 | GC0331 |

| Model | A | G | H |
|---------|---------|--------|--------|
| 300120N | L12-L17 | GB0304 | GB0199 |
| 302020N | L12-L17 | GB0304 | GB0199 |
| 300152N | M12-M17 | GB0305 | GB0201 |
| 302052N | M12-M17 | GB0305 | GB0201 |
| 300184N | N12-N17 | GB0305 | GB0201 |
| 302084N | N12-N17 | GB0305 | GB0201 |
| 302092N | N12-N17 | GB0305 | GB0201 |



Available Triggers

HC0054

HC0054

HA0121

Contact Actuation

HC0054

HC0054

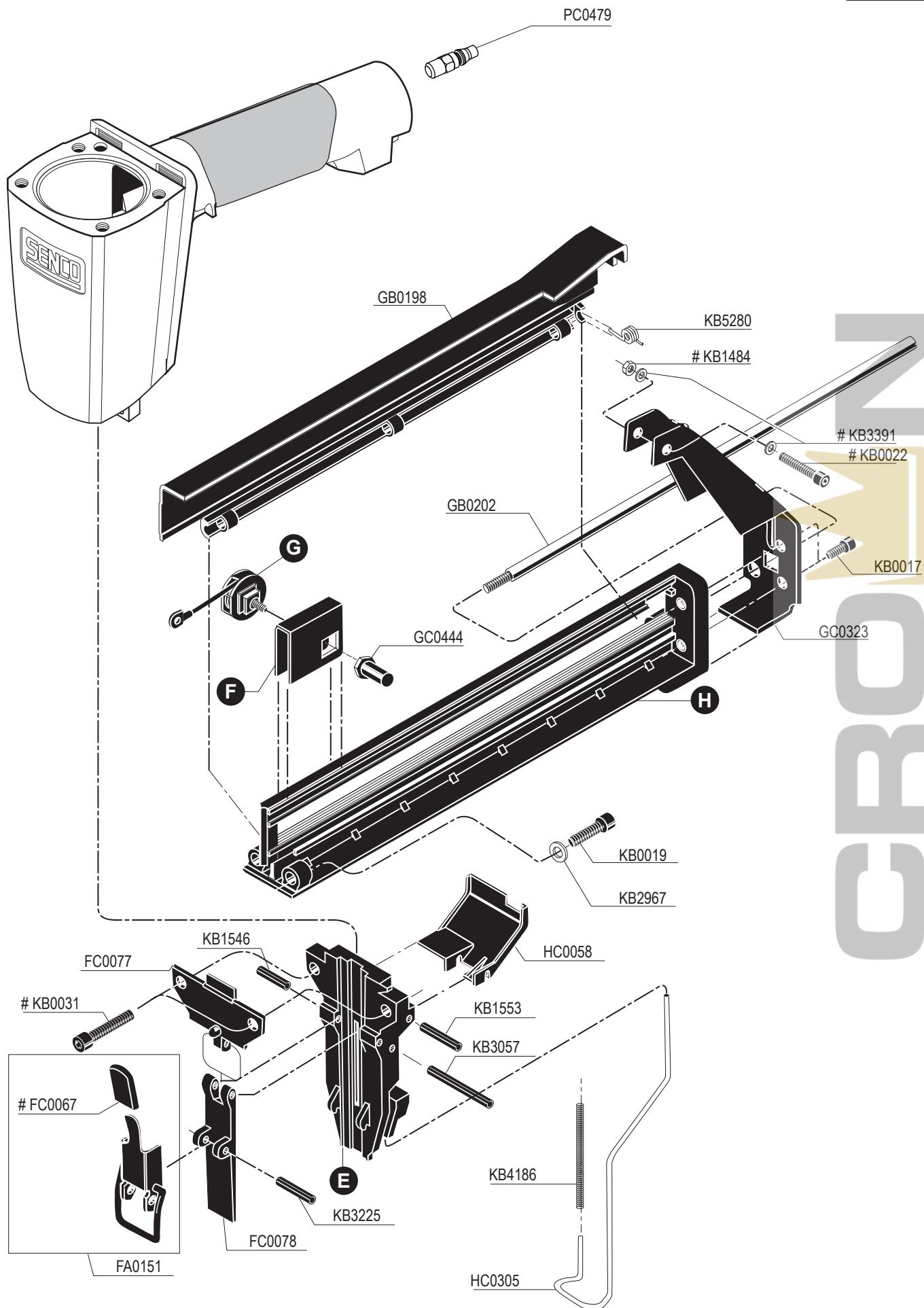
HA0122

Single Sequential Actuation

* Does Not Include O-rings
 * No incluye sellos de gomas
 * Joints exclus

1 1/2" Medium/Heavy Wire Stapler

SKSXP



REPLACEMENT PARTS LIST • LISTA DE PARTES DE REPUESTO • LISTE DE PIÈCES DE RECHANGE

| Part No. | Description | Descripción | Désignation |
|----------|-------------------------------|----------------------------------|--------------------------|
| BA0096 | Valve Assembly | Asamble De Valvula | Valve d'Assemblée |
| BB0101 | Stop | Tope | Arrêt |
| BB0223 | Deflector (US) | Deflector | Défecteur |
| BC0154 | Deflector (EU) | Deflector | Défecteur |
| BC0138 | Muffler | Silenciador | Silencieux |
| BC0232 | Cylinder | Cilindro | Cylindre |
| BF0013 | Seal | Sello | Joint |
| BF0068 | Seal (N) | Sello (N) | Joint (N) |
| BF0069 | Seal (M) | Sello (M) | Joint (M) |
| BF0070 | Seal (L) | Sello (L) | Joint (L) |
| BF0140 | Retainer | Junta Tórica | Retenue |
| CA0074 | Valve Assembly | Asamble De Valvula | Valve d'Assemblée |
| EA0261 | Piston/driver Assembly (L) | Asamble De Pison Y | Piston/couteau |
| EA0264 | Piston/driver Assembly (M) | Asamble De Pison Y | Piston/couteau |
| EA0265 | Piston/driver Assembly (N) | Asamble De Pison Y | Piston/couteau |
| EC0118 | Piston (N) | Piston (N) | Piston (N) |
| EC0135 | Driver, 3/16" Countersink (M) | Percusor, 4.8mm Hundimiento (M) | Couteau, 4.8mm Noyer (M) |
| EC0136 | Driver, 3/16" Countersink (N) | Percusor, 4.8mm Hundimiento (N) | Couteau, 4.8mm Noyer (N) |
| EC0168 | Piston (L&M) | Piston (L&M) | Piston (L&M) |
| EC0178 | Driver, 3/16" Countersink (L) | Percusor, 4.8mm Hundimiento (L) | Couteau, 4.8mm Noyer (L) |
| FA0151 | Latch Assembly. | Asamble De Uñeta | Doigt De Retenue |
| FC0067 | Finger Grip | Agarradero | Gainé En Caoutchouc |
| FC0071 | Guide Body (L12-L17) | Placa De Nariz (L12-L17) | Front (L12-L17) |
| FC0073 | Guide Body (M12-M17) | Placa De Nariz (M12-M17) | Front (M12-M17) |
| FC0075 | Guide Body (N12-N17) | Placa De Nariz (N12-N17) | Front (N12-N17) |
| FC0077 | Plate | Placa | Plaque |
| FC0078 | Door | Puerta | Porte |
| GA0633 | Magazine Assembly (L) | Asamble De Cargador | Magasin d'Assemblée |
| GA0634 | Magazine Assembly (M&N) | Asamble De Cargador | Magasin d'Assemblée |
| GA0636 | Plate Assembly (L) | Asamble De Placa | Plaque d'Assemblée |
| GA0637 | Plate Assembly (M) | Asamble De Placa | Plaque d'Assemblée |
| GA0638 | Plate Assembly (N) | Asamble De Placa | Plaque d'Assemblée |
| GB0198 | Door | Puerta | Porte |
| GB0199 | Rail (L) | Carril (L) | Rail (L) |
| GB0201 | Rail (M&N) | Carril (M&N) | Rail (M&N) |
| GB0202 | Pivot | Pivote | Pivot |
| GB0304 | Feeder Assembly (L) | Ensamblaje Del Alimentador (L) | Ressort De Pousoir (L) |
| GB0305 | Feeder Assembly (M&N) | Ensamblaje Del Alimentador (M&N) | Ressort De Pousoir (M&N) |
| GC0323 | Support | Suporte | Support |
| GC0330 | Feeder Shoe (L) | Alimentador (L) | Pousoir (L) |
| GC0331 | Feeder Shoe (M&N) | Alimentador (M&N) | Pousoir (M&N) |
| GC0444 | Feeder Shoe Handle | Mango De Alimentador | Poignée De Pousoir |
| HA0121 | Trigger Assembly | Asamble De Gatillo | Gachette d'Assemblée |
| HA0122 | Trigger Assembly | Asamble De Gatillo | Gachette d'Assemblée |
| HC0052 | Retainer | Junta Tórica | Retenue |
| HC0054 | Bearing | Capa Del Cojinete | Coussin |
| HC0058 | Cover | Cubierta | Porte |
| HC0305 | Safety Element | Seguro | Palpeur De Sécurité |
| KA0001 | Pin Assembly. | Asamble De Pasador | Finnette d'Assemblée |
| KB0017 | Screw | Tornillo | Vis |
| KB0019 | Screw | Tornillo | Vis |
| KB0022 | Screw | Tornillo | Vis |
| KB0031 | Screw | Tornillo | Vis |
| KB0032 | Screw | Tornillo | Vis |
| KB1484 | Nut | Tuerca | Écrou |
| KB1546 | Pin | Pasador | Finette |
| KB1553 | Pin | Pasador | Finette |
| KB2967 | Washer | Arandela | Rondelle |
| KB3057 | Pin | Pasador | Finette |
| KB3225 | Pin | Pasador | Finette |
| KB3391 | Washer | Arandela | Rondelle |
| KB4186 | Spring | Muelle | Ressort |
| KB5280 | Spring | Muelle | Ressort |
| LB0012 | Seal | Sello | Joint |
| LB0018 | Seal | Sello | Joint |
| LB0030 | Seal | Sello | Joint |
| LB0077 | Seal | Sello | Joint |
| LB0777 | Seal | Sello | Joint |
| LB0778 | Seal | Sello | Joint |
| LB5046 | Seal | Sello | Joint |
| PC0479 | Air Fitting | Conexión De Aire | Raccord Air |