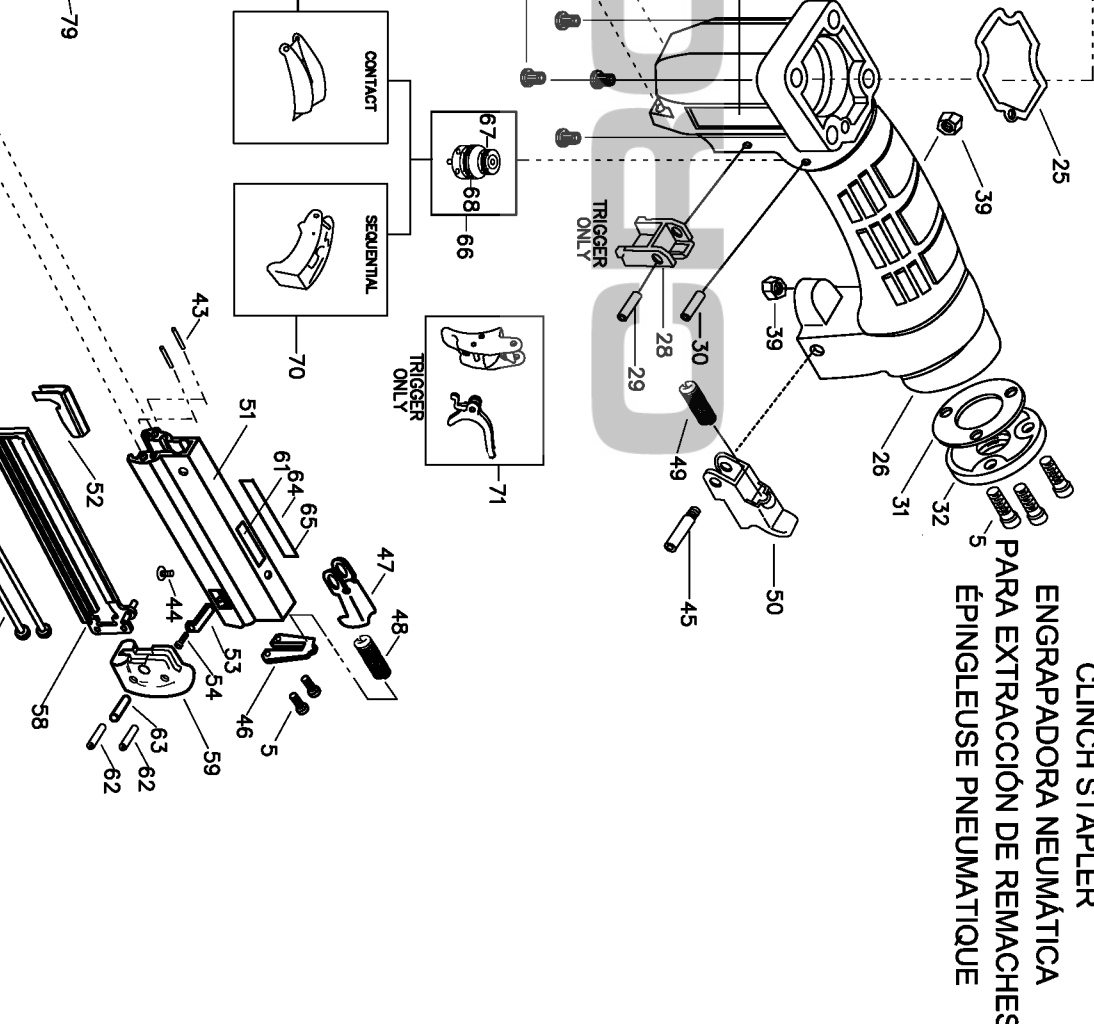
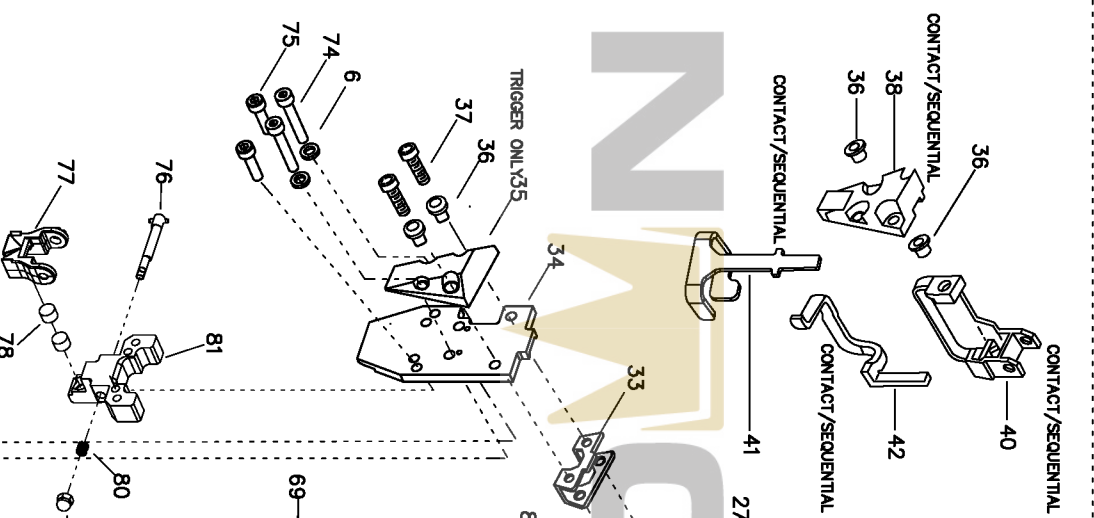
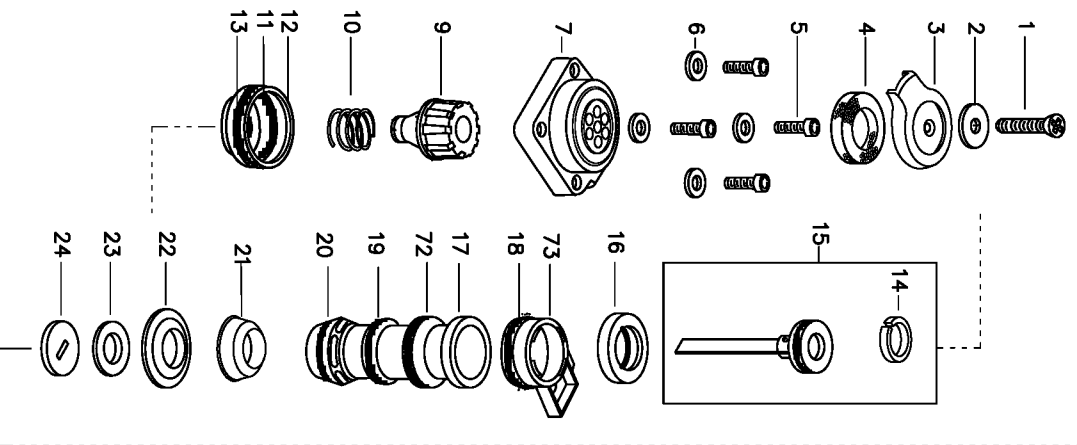


# BOSTITCH®

## S32SL-OC

PNEUMATIC OUTWARD  
CLINCH STAPLER  
ENGRAPADORA NEUMÁTICA  
PARA EXTRACCIÓN DE REMACHES  
ÉPINGLEUSE PNEUMATIQUE



## Parts List for S32SL-OC Type 0

Item Number	Part Number	Description	Qty Required
1	100297	SCREW	1
2	S32030	WASHER- SPECIAL	1
3	S32032	COVER-EXHAUST	1
4	S32045	MUFFLER	1
5	100260	SCREW	1
6	S32186	WASHER- SPECIAL	1
7	T32010	CAP WITH INSERT	1
8	S32011	INSERT-M4	1
9	T32007	BUMPER- PISTON STOP	1
10	9R198719	HEAD VALVE SPRING	1
11	108572	O-RING-26MMX2MM	1
12	9R198720	HEAD VALVE	1
13	108573	O-RING-1.378X.079	1
14	S32109	RING-PISTON	1
15	S32084A	ASSEMBLY-DRIVER/PIST	1
16	T32031	SEAL-CYLINDER SLEEVE	1
17	S32208	SLEEVE-CYLINDER	1
18	RG161210	O-RING-1.612X.103 NB	1
19	T32080	CHECK SEAL	1
20	100353	O-RING-1.301X.070	1
21	102882	BUMPER	1
22	S32187	PLATE- FRAME	1
23	S32001	WASHER- URETHANE ORA	1
24	S32088	GUIDE-DRIVER	1
25	T32046	GASKET-FRAME/CAP	1
26	T32008A	FRAME	1
27	000000-00	No Longer Available	1

COPYRIGHT© 2005. All Rights Reserved.

Parts list, pricing, and availability subject to change. Please visit [www.dewaltservicenet.com](http://www.dewaltservicenet.com) for current parts information.

## Parts List for S32SL-OC Type 0

Item Number	Part Number	Description	Qty Required
28	106173	STOP-TRIGGER	1
29	100298	PIN-SPIRAL M3X30	1
30	102549	PIN-SPECIAL SPIROL M	1
31	S32141	GASKET- END CAP	1
32	S32140	CAP-END	1
33	S32017A	ASSEMBLY-NUT PLATE	1
34	9R189748	NOSE- OUTWARD CLINCH	1
35	9R189743	NOSE COVER	1
36	S32184	SPACER	1
37	100258	SCREW	1
38	9R189743	NOSE COVER	1
39	MHE4070-100	ELASTIC STOP NUT-M4	1
40	S32122A	ASSEMBLY-ARM GUIDE	1
41	9R189744	ARM-LOWER CONTACT	1
42	S32127	ARM-UPPER CONTACT	1
43	110071	PIN-SPRING-M2X10MM	1
44	100364	SCREW	1
45	S32066	PIN-SPECIAL	1
46	S32072	PLATE-SPRING	1
47	S32009	LATCH MAGAZINE	1
48	T27160	SPRING-COMPRESSION	1
49	S32024	SPRING-COMPRESSION	1
50	S32025	HANDLE-LATCH	1
51	S32082	MAGAZINE	1
52	9R209552	PUSHER	1
53	S32177	STOP-CORE	1
54	MSC4070-8	SCREW-SHCS-M4X0.70X8	1

COPYRIGHT© 2005. All Rights Reserved.

Parts list, pricing, and availability subject to change. Please visit [www.dewaltservicenetwork.com](http://www.dewaltservicenetwork.com) for current parts information.

## Parts List for S32SL-OC Type 0

Item Number	Part Number	Description	Qty Required
55	S32065	SPRING-PUSHER	1
56	S32061A	ASSEMBLY-SPRING ROD	1
57	S32100	SUPPORT-ROD	1
58	9R209566	CORE SLIDE ASSEM	1
59	S32063	END-CORE	1
60	S32178	WASHER-PUSHER SPRING	1
61	9R189740	NAME PLATE	1
62	100263	PIN-SPIROL-M4X14MM	1
63	100264	PIN-SPIROL	1
64	159911	LABEL-WARNING-CT/ST	1
65	159914	LABEL-WARNING-T.O.	1
66	TVA5	TRIGGER VLV KIT	1
67	86459	O-RING	1
68	106967	O-RING-.724X.106	1
69	CNTK2	KIT-CONTACT TRIP CON	1
70	SEQ6	KIT-SEQUENTIAL	1
71	DTK1	KIT-DUAL TRIGGER	1
72	100817	O-RING-1.299X.103	1
73	101182	RING-CYLINDER SLEEVE	1
74	105235	SCREW-SHCS M4X25	1
75	MSC4070-16	SCREW-SHCS-M4X0.7X16	1
76	9R209565	PIN ASSY	1
77	9R189751	ANVIL-OUTWARD CLINCH	1
78	159804	SPRING-URETHANE	1
79	MHE3050-100	NUT-NYLON M3X.50	1
80	105066	COMPRESSION SPRING	1
81	9R189749	TIP- CORE BLOCK	1

COPYRIGHT© 2005. All Rights Reserved.

Parts list, pricing, and availability subject to change. Please visit [www.dewaltservicenet.com](http://www.dewaltservicenet.com) for current parts information.