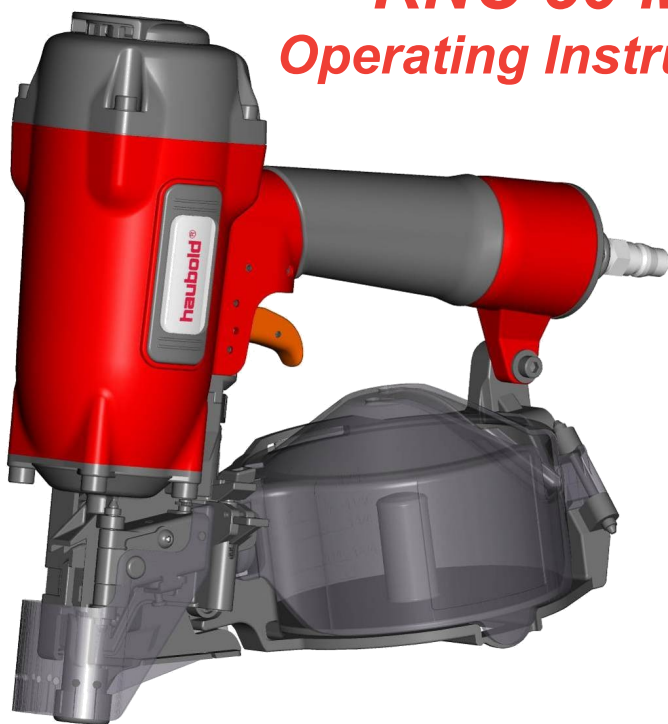


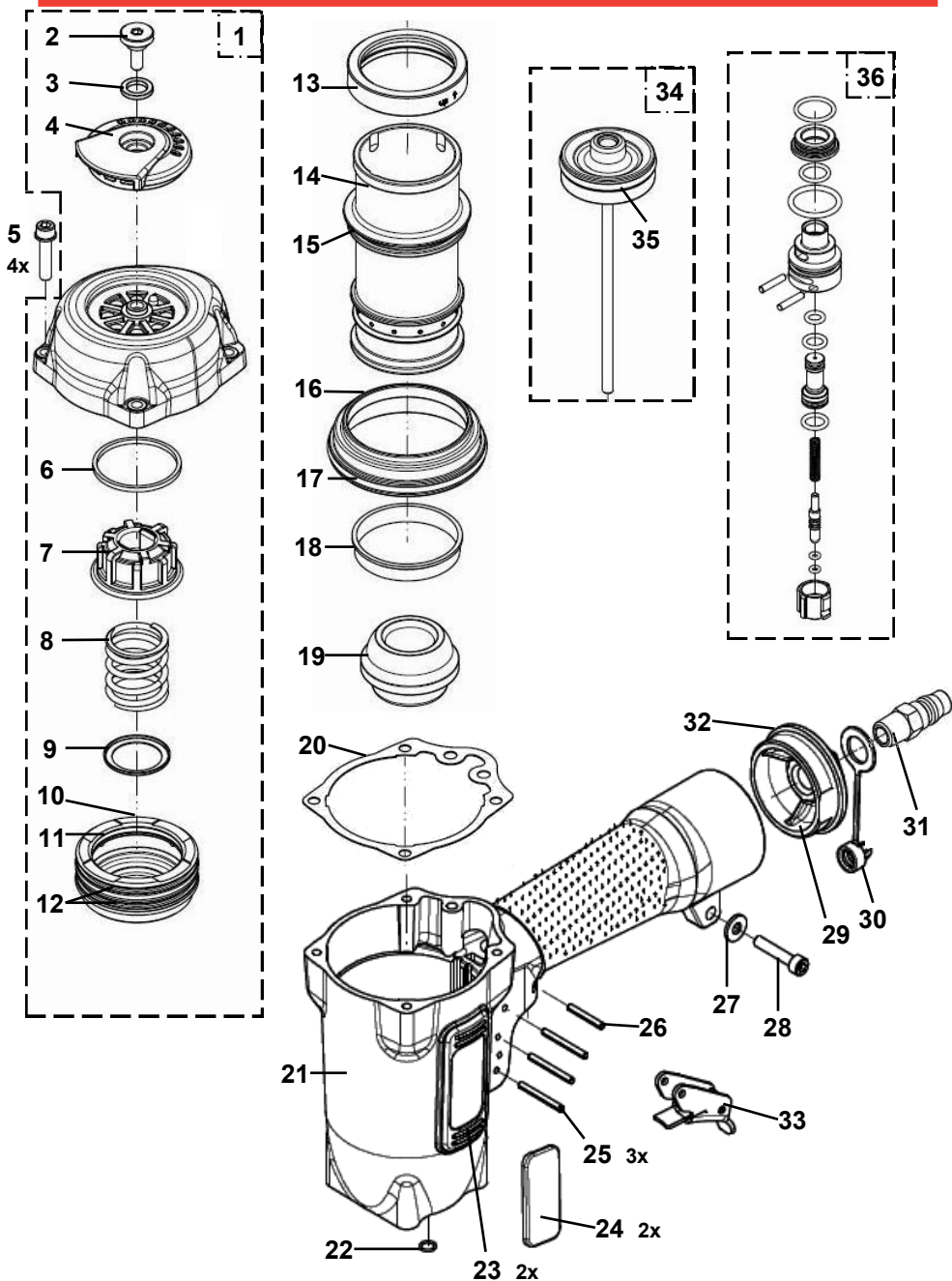
haubold®

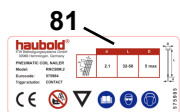
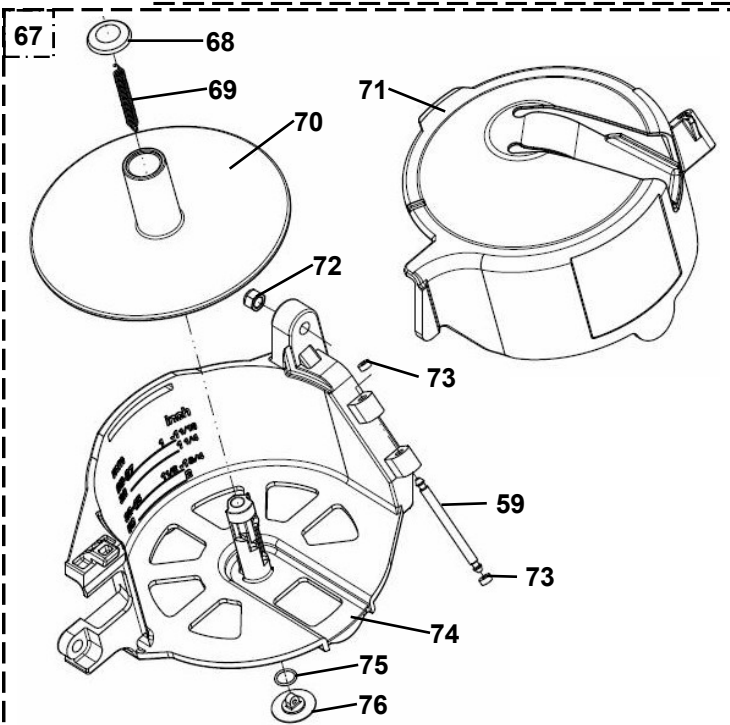
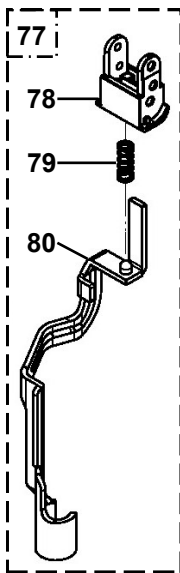
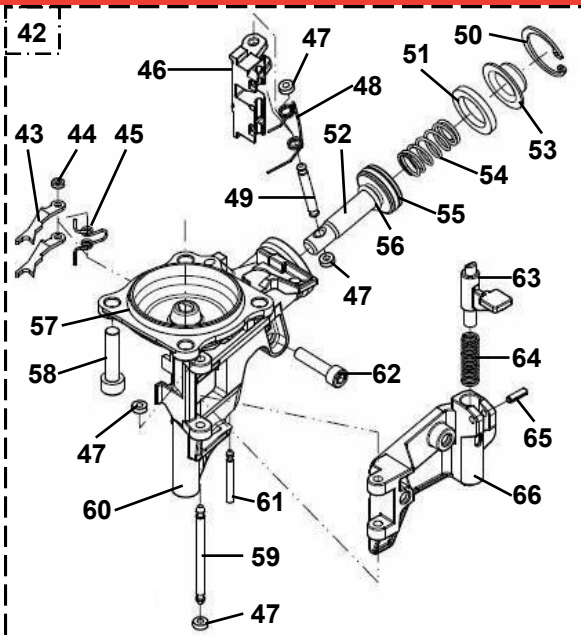
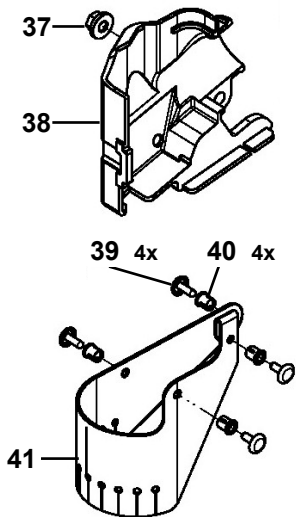
RNC 50 M.2 *Operating Instructions*



D: Betriebsanleitung
NL: Gebruiksaanwijzing
F: Manuel d'utilisation
E: Instrucciones de uso
P: Manual de Instruções
I: Istruzioni d'uso
DK: Brugsanvisning
S: Bruksanvisning

N: Bruksanvisning
FIN: Käyttöohjeet
EST: Kasutusjuhend
PL: Instrukcja obsługi
CZ: Návod k obsluze
H: Használati utasítás
SLO: Navodila za uporabo
HR: Upute za rukovanje





ITEM	CODE	NAME	ITEM	CODE	NAME
1	617729	CAP ASM.	43	613697	FIRST STOPPER FINGER
2	613205	DEFLECTOR BOLT	44	501089	URETHANE RETAINER
3	613207	RUBBER PAD	45	613698	SPRING
4	613301	DEFLECTOR	46	613694	FEED FINGER
5	613682	BOLT W/FLAT WASHER	47	613253	PU RETAINER
6	613683	WASHER SEAL	48	613695	FEED FINGER SPRING
7	613789	SEAL	49	613251	PIN FEED PISTON
8	617701	COMPRESSION SPRING	50	613693	C - RING
9	613788	WASHER	51	613691	FEED BUMPER
10	617702	HD.VALVE PISTON	52	617722	FEED PISTON
11	613786	O - RING	53	613692	FEED PISTON CAP
12	613787	O - RING	54	617723	PUSHER SPRING A
13	613672	COLLAR	55	613688	O - RING
14	617704	CYLINDER	56	613254	O - RING
15	613675	O - RING	57	613686	O - RING
16	617705	CYLINDER SPACER	58	617727	HEX.SOC.HD.BOLT
17	613676	O - RING	59	613700	DOOR SHAFT PIN
18	613793	CYLINDER RING	60	617721	NOSE PIECE
19	613677	BUMPER	61	613699	PIN-NAIL STOP
20	613673	SEAL	62	613707	HEX.SOC.HD.BOLT
21	617720	GUN BODY UNIT	63	613703	DOOR LATCH
22	613689	O - RING	64	613702	LATCH SPRING
23	574496	LABEL HOLDER	65	613704	SPRING PIN
24	574497	LOGO LABEL	66	617724	DOOR
25	617719	SPIRAL PINS	67	617734	MAGAZINE ASM.
26	617718	SPIRAL PINS	68	613718	SPRING BASE A
27	613724	FLAT WASHER	69	613719	PULL SPRING
28	613723	HEX.SOC.HD.BOLT	70	613720	SPACER
29	613827	END CAP	71	617728	MAGAZINE COVER
30	---	DUST COVER	72	574390	LOCK NUT
31	574360	AIR PLUG	73	613722	SHAFT RING
32	613244	O - RING	74	613721	MAGAZINE CASE
33	613679	CONTACT TRIGGER UNIT	75	613732	O - RING
	575989	SEQUENTIAL TRIGGER UNIT	76	613283	SPRING BASE
34	617730	PISTON ASM	77	617732	safety asm kit
35	613674	O - RING	78	617725	SAFETY GUIDE
36	617731	TRIGGER VALVE ASM.	79	613798	SAFETY SPRING
37	613710	BOLT CAP	80	617726	SAFETY
38	613709	SAFETY COVER	81	575985	MODEL LABEL CONTACT
39	613727	FIXED PIN		575988	MODEL LABEL SEQUENTIAL
40	613728	FIXED RING			
41	613726	MUZZLE PROTECTOR			
42	617733	NOSE ASM.			

haubold[®]

ITW Befestigungssysteme

Eurocode: 575986 (2013/I)