

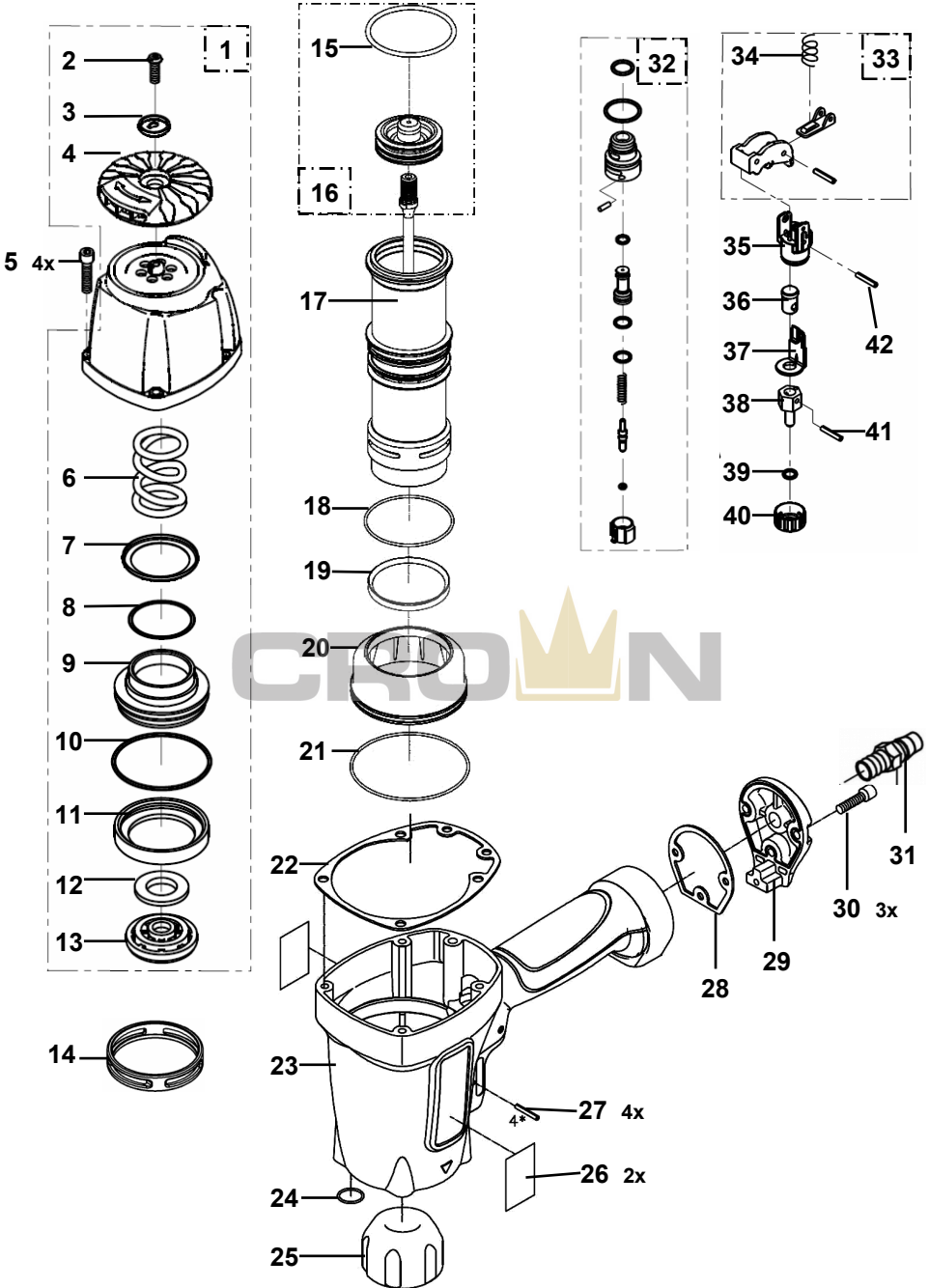
haubold®

RNC 90 Z *Operating Instructions*



D: Betriebsanleitung
NL: Gebruiksaanwijzing
F: Manuel d'utilisation
E: Instrucciones de uso
P: Manual de Instruções
I: Istruzioni d'uso
DK: Brugsanvisning
S: Bruksanvisning

N: Bruksanvisning
FIN: Käyttöohjeet
EST: Kasutusjuhend
PL: Instrukcja obsługi
CZ: Návod k obsluze
H: Használati utasítás
SLO: Navodila za uporabo
HR: Upute za rukovanje



No.	Code	Name	No.	Code	Name
1	617370	CAP ASSEMBLY	51	617387	O-RING
2	613071	SCREW	52	575684	NOSE
3	574394	FRONT BRACKET	53	617388	STEPED PIN
4	617367	EXHAUST COVER	54	617434	SET BLOCK
5	617376	SCREW	55	617389	SPRING
6	613008	SPRING	56	617432	FEED PAWL
7	613009	WASHER	57	617433	ROLLED PIN
8	613010	O-RING	58	613034	RETAIN RUBBER
9	613011	PISTON HEAD VALVE	59	613064	RUBBER INSERT
10	613012	O-RING	60	617439	DUST COVER
11	613013	SEAL	61	575679	SCREW
12	613014	PLAIN WASHER	62	617379	STEPPED PIN
13	617369	PISTON STOPPER	63	617437	DOOR ASSEMBLY
14	574680	CYLINDER PRESSURE RING	64	617390	STEPPED PIN
15	613016	O-RING	65	617391	RATCHER
16	617425	DRIVER ASSEMBLY	66	617392	STEPPED PIN
17	617371	CYLINDER	67	617436	DOOR
18	575677	O-RING	68	617393	CHECK PAWL
19	613114	CYLINDER RING	69	613047	RETAIN RUBBER
20	617372	COLLAR	70	617394	SPRING
21	575678	O-RING	71	617397	DOOR LOCK
22	574403	GASKET	72	617398	DOOR COVER
23	617373	BODY ASSEMBLY	73	617399	INSERT SEAT
24	613025	O-RING	74	617438	SCREW
25	617374	BUMPER	75	575644	SPRING SET
26	575642	LOGO LABEL	76	617426	SAFETY LEVER
27	613031	ROLLED PIN		575643	FLAT SAFETY LEVER
28	574402	GASKET		617375	FLAT RUBBER PAD
29	574401	COVER	77	574681	SHARP RUBBER PAD
30	574400	SCREW	78	617380	NOSE COVER
31	613617	AIR PLUG	79	617424	MAGAZINE COVER
32	613124	SWITCH ASSEMBLY	80	617400	NAIL ADJ. SUPPORT ASSEMBLY
33	617410	CONTACT TRIGGER	81	613066	NAIL SUPPORT
	575601	SEQUENTIAL TRIGGER SET	82	613067	SPRING
34	613053	SPRING	83	613068	SET SHAFT
35	617412	TRIP GUIDE	84	617403	SLIDE ROD
36	617413	SET SHAFT	85	613433	FLAT WASHER
37	617415	CONTACT TRIP BLOCK	86	574428	SCREW
38	617416	ADJ. BOLT	87	617404	LOCK NUT
39	617419	O-RING	88	617405	MAGAZINE
40	617420	ADJ. WHEEL	89	613060	E-RING
41	617417	ROLLED PIN	90	617406	SCREW
42	617402	ROLLED PIN	91	617409	FLAT WASHER
43	613027	O-RING	92	617422	STEPPED PIN
44	575683	NOSE ASSEMBLY	93	575598	MODEL LABEL CONTACT
45	617381	C-RING		575597	MODEL LABEL SEQUENTIAL
46	617382	SPRING COLLAR	94	575599	WARNING LABEL
47	617383	FEED PISTON STOP			
48	617384	SPRING			
49	617385	O-RING			
50	617386	FEED PISTON			



haubold[®]

ITW Befestigungssysteme

Eurocode: 575600 (2011/I)