

haubold®

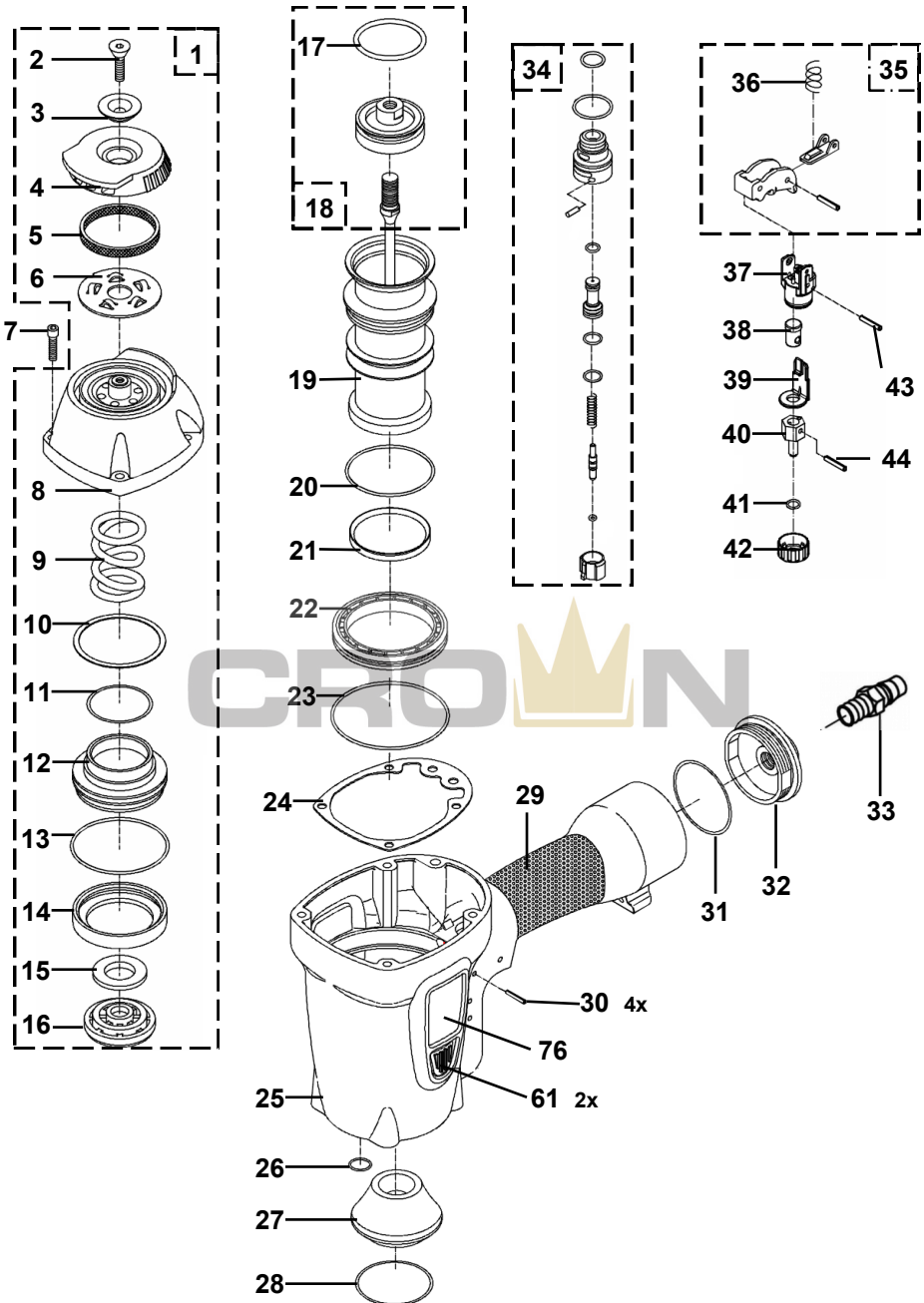
RNC 70.1

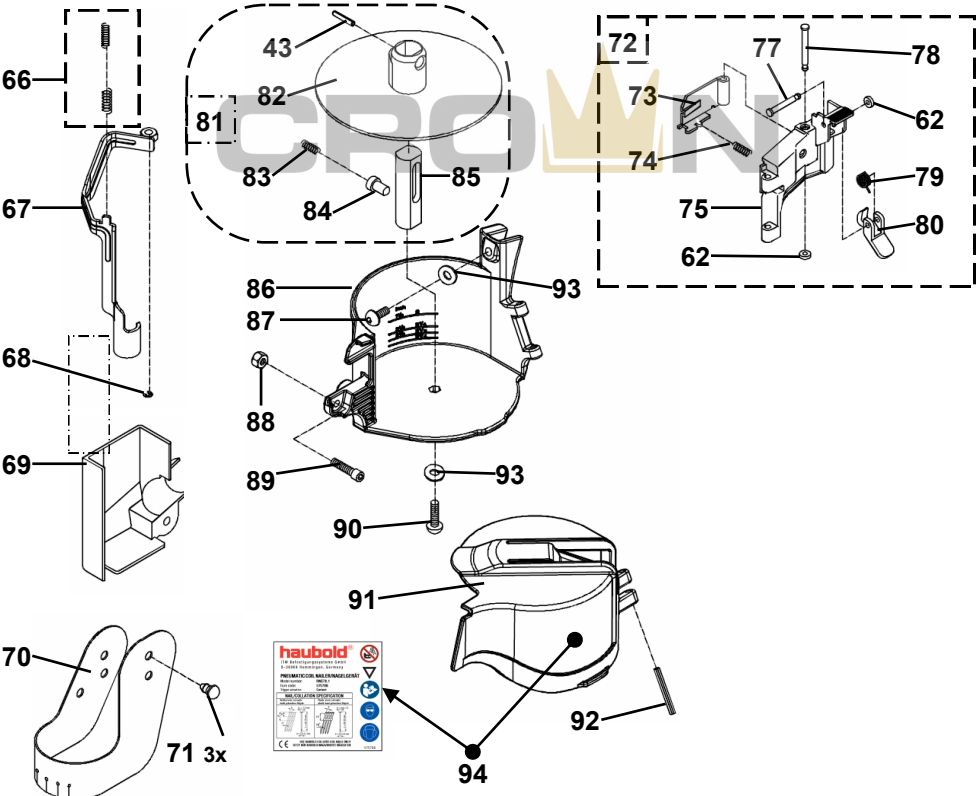
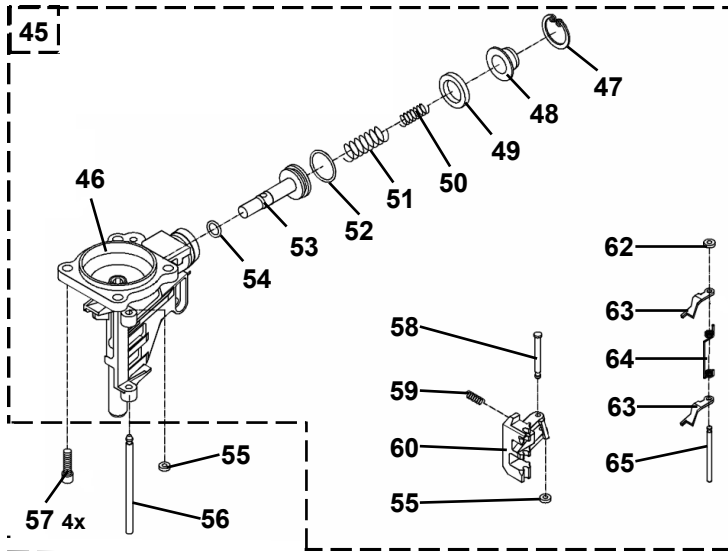
Operating Instructions



D: Betriebsanleitung
NL: Gebruiksaanwijzing
F: Manuel d'utilisation
E: Instrucciones de uso
P: Manual de Instruções
I: Istruzioni d'uso
DK: Brugsanvisning
S: Bruksanvisning

N: Bruksanvisning
FIN: Käyttöohjeet
EST: Kasutusjuhend
PL: Instrukcja obsługi
CZ: Návod k obsluze
H: Használati utasítás
SLO: Navodila za uporabo
HR: Upute za rukovanje





No.	Code	Name	No.		
1	613000	CAP ASSEMBLY	51	613039	SPRING
2	613001	SCREW	52	613038	O-RING
3	613002	FRONT BRACKED	53	613037	FEED PISTON
4	613003	EXHAUST COVER	54	613036	O-RING
5	613004	EXHAUST FILTER	55	613034	RETAIN RUBBER
6	613005	EXHAUST FILTER PLATE	56	613033	STEPPED PIN
7	617376	SCREW	57	617636	SCREW
8	613007	CAP	58	613044	STEPPED PIN
9	613008	SPRING	59	613045	SPRING
10	613009	WASHER	60	613046	FEED PAWL
11	613010	O-RING	61	613423	RUBBER LABEL
12	613011	PISTON HEAD VALVE	62	613047	RETAIN RUBBER
13	613012	O-RING	63	613048	CHECK PAWL
14	613013	SEAL	64	613049	SPRING
15	613014	PLAIN WASHER	65	613050	STEPPED PIN
16	613015	PISTON STOPPER	66	575881	SAFETY SPRING SET
17	613016	O-RING	67	617643	SAFETY LEVER
18	613017	DRIVER ASSEMBLY	68	574423	E-RING
19	613018	CYLINDER	69	613062	NOSE COVER
20	613019	O-RING	70	613063	DUST COVER
21	613020	CYLINDER RING	71	613064	RUBBER INSERT
22	613021	COLLAR	72	617639	DOOR ASSEMBLY
23	613022	O-RING	73	617641	RATCHET
24	613023	GASKET	74	613045	SPRING
25	617634	BODY	75	617642	DOOR
26	617635	O-RING	76	---	LOGO LABEL
27	613026	BUMPER	77	617392	STEPPED PIN
28	613027	O-RING	78	617640	STEPPED PIN
29	617633	RUBBER GRIP	79	617394	SPRING
30	613031	PIN	80	617397	DOOR LOCK
31	613029	O-RING	81	613065	NAIL ADJ. SUPPORT
32	613030	COVER	82	613066	NAIL SUPPORT
33	613617	AIR PLUG	83	613067	SPRING
34	613052	SWITCH ASSEMBLY	84	613068	SET SHAFT
35	617410	CONTACT TRIGGER	85	613069	SLIDE ROD
	575790	SEQUENTIAL TRIGGER SET	86	617644	MAGAZINE
36	613053	SPRING	87	574428	SCREW
37	617412	TRIP GUIDE	88	617404	LOCK NUT
38	617413	SET SHAFT	89	617588	SCREW
39	617415	CONTACT TRIP BLOCK	90	613071	SCREW
40	617646	ADJ. BOLT	91	617645	MAGAZINE COVER
41	617419	O-RING	92	613139	PIN
42	617420	ADJ. WHEEL	93	617409	WASHER
43	617626	PIN	94	575788	MODEL LABEL CONTACT
44	617417	PIN		575789	MODEL LABEL SEQUENTIAL
45	617637	NOSE ASSEMBLY			
46	617638	NOSE			
47	613043	C-RING			
48	613042	SPRING COLLAR			
49	613041	FEED PISTON STOP			
50	613040	SPRING			



haubold[®]

ITW Befestigungssysteme

Eurocode: 575791 (2012/I)