

MODEL RC1016

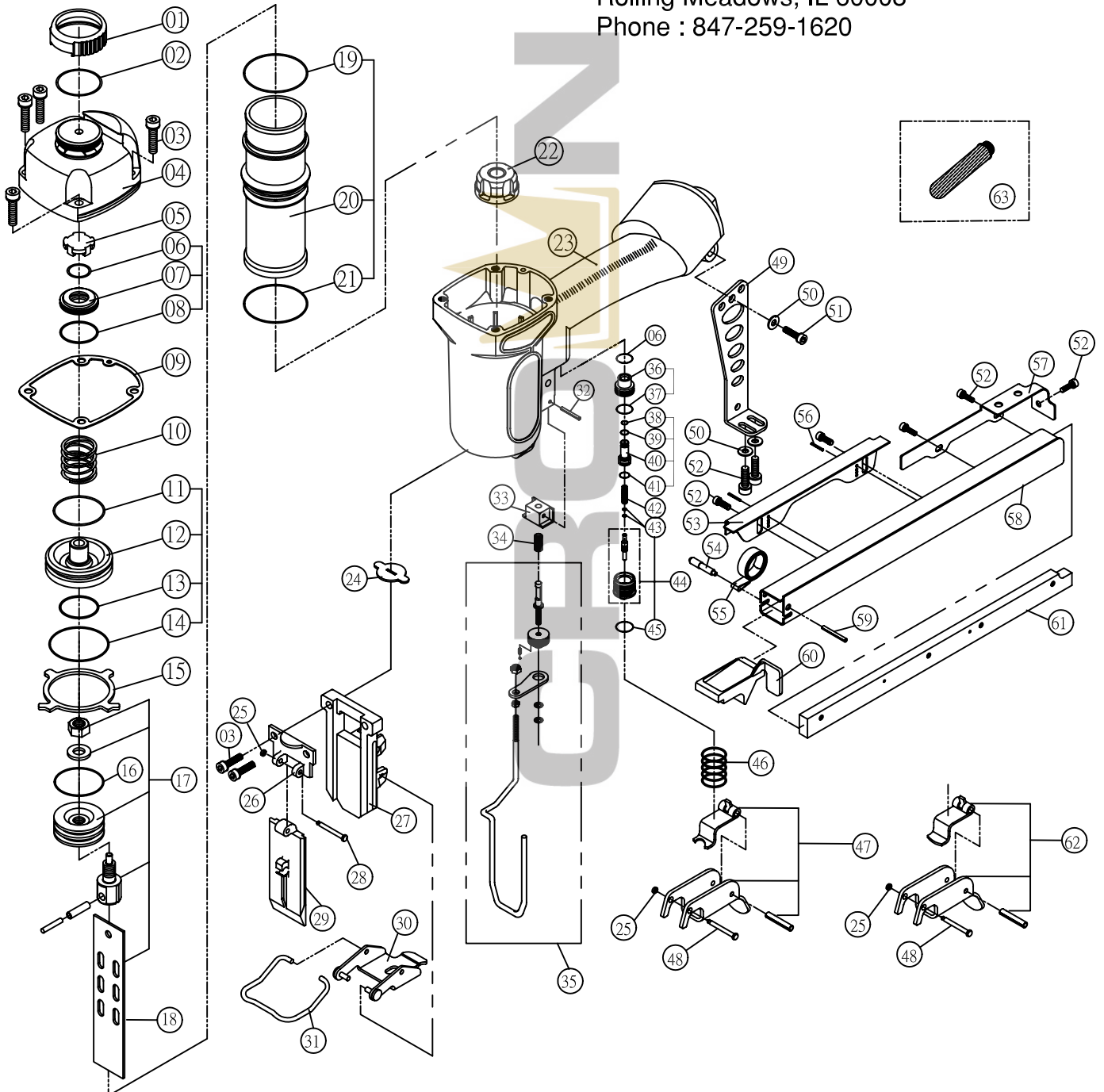
SPOTNAILS[®]

DIVISION OF PEACE INDUSTRIES, LTD.

1100 Hicks Rd

Rolling Meadows, IL 60008

Phone : 847-259-1620



2/25/2009

SPOTNAILS MODEL RC1016

Ref No.	Part No.	Description
01	P-70043	Exhaust Deflector
02	P-64392	O-Ring
03	P-24358	Cap Screw
04	P-60201	Cap
● 05	P-15199	Exhaust Seal
● 06	P-64332	O-Ring (2)
07	P-22167	Poppet Valve Guide
● 08	P-64393	O-Ring
● 09	P-62085	Gasket
10	P-18226	Poppet Spring
● 11	P-64385	Poppet O-Ring
12	P-63049	Poppet
● 13	P-64233	Piston Stop O-Ring
● 14	P-64389	Cylinder Seal O-Ring
15	P-32256	Retaining Ring
● 16	P-64512	Piston O-Ring
17	AS-06092	Piston & Driver Assembly
18	P-06221	Driver Blade
● 19	P-64387	Cylinder O-Ring
20	P-05120	Cylinder
● 21	P-64242	O-Ring
22	P-15242	Bumper
23	P-01288	Body
24	P-15198	Return Seal
● 25	P-64240	O-Ring
26	P-10285	Stationary Front Plate
27	P-08467	Wear Plate
28	P-07357	Step Pin
29	P-10286	Removable Front Plate
30	P-04062	Quick Clear Latch
31	P-18333	Latch Spring
32	P-07262	Pin

Ref No.	Part No.	Description
33	P-53165	Safety Guide
34	P-18328	Spring
35	AS-53049	Safety Assembly
36	P-22144	Trigger Valve Cap
● 37	P-64333	O-Ring
● 38	P-64334	O-Ring
● 39	P-64335	O-Ring
40	P-22145	Pilot Valve
● 41	P-64336	O-Ring
42	P-18227	Spring
● 43	P-64383	Plunger O-Rings (2)
44	AS-22037	Plunger Assembly
● 45	P-64328	O-Ring
46	P-18267	Spring
47	AS-21019	Restrictive Trigger
48	P-07327	Trigger Pin
49	P-13109	Bracket
50	P-32211	Flat Washer
51	P-24301	Screw
52	P-24433	Screw
53	P-12406	Magazine Cover (A)
54	P-07331	Negator Spring Pin
55	P-18334	Negator Spring
56	P-07333	Pin
57	P-12407	Magazine Cover (B)
58	P-12409	Magazine
59	P-07332	Pin
60	P-09185	Pusher
61	P-12411	Cover Mounting Bar
62	AS-21008	Trigger Assembly
63	P-97454	Filter (Optional)

● Parts Included In AS-97325 O-Ring & Seal Kit