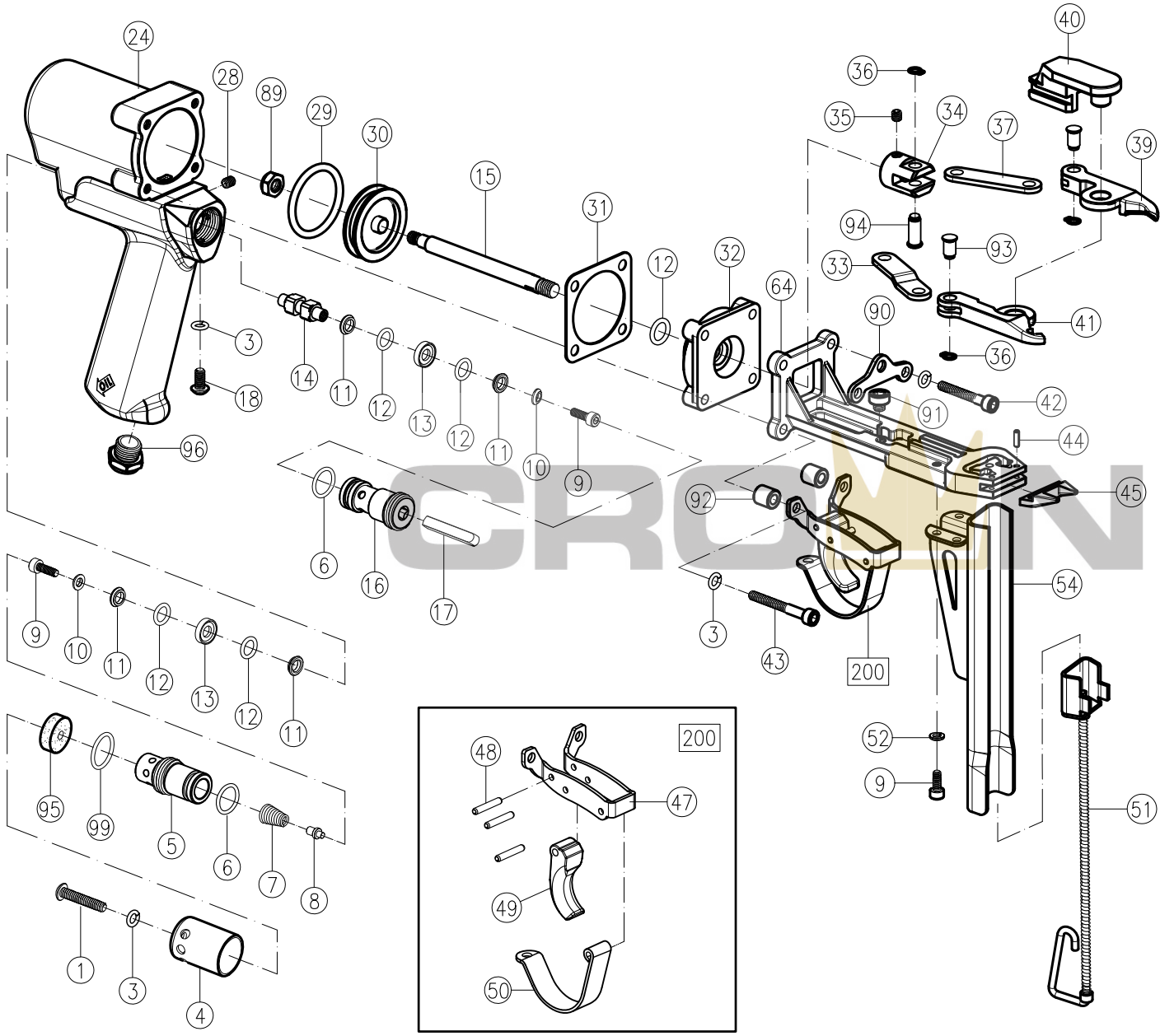


RAD-1001
D-RING TOOL WITH
SINGLE LENGTH MAGAZINE

RAD-1002
D-RING TOOL WITH
DOUBLE LENGTH MAGAZINE

RAD-1001/1002 PARTS



ITEM	DESCRIPTION	PART #	QTY
1	Set Screw	EHC01094	1
3	Shakeproof Lock Washer	EHC01003	6
4	Air Deflector	EHC01091	1
5	Rear Valve Seat	EHC01005	1
6	O-Ring	EHC01006	2
7	Throttle Spring	EHC01007	1
8	Throttle Spring Locator	EHC01008	1
9	Throttle Valve Screw	EHC01009	6
10	Valve Screw Washer	EHC01010	2
11	O-Ring Support	EHC01011	4
12	O-Ring	EHC01012	5
13	O-Ring Center Support	EHC01013	2
14	Throttle Valve Spacer	EHC01014	1
15	Piston Rod	EHD01015	1
16	Front Valve Seat	EHC01016	1
17	Throttle Stem	EHD01017	1
18	Button Head Cap Screw	EHC01018	1
24	Housing Assy.	EHD01024	1
28	Set Screw	EHC01028	2
29	O-Ring	EHC01029	1
30	Piston	EHD01030	1
31	Cylinder Gasket	EHC01031	1
32	Piston Stop Spacer	EHD01032	1
33	Right Arm Link	EHD21033	1
34	Clevis	EHD21034	1
35	Set Screw	EHD01035	1
36	S-King	EHD21036	3
37	Left Arm Link	EHD21037	1
39	Left Jaw	EHD21039	1
40	Slide	EHD21040	1
41	Right Jaw	EHD21041	1
42	Socket Head Cap Screw	EHD01042	2
43	Socket Head Cap Screw	EHD01043	2
44	Roll Pin	EHD01044	2
45	Teeth	EHD03045	1
47	Trigger Guard Bracket	EHD01047	1
48	Roll Pin	EHC01036	3
49	Trigger	EHC01037	1
50	Trigger Guard	EHC01020	1
51	Pusher Assy. (1001 Single)	EHD21051	1
	Pusher Assy. (1002 Double)	EHD23051	
52	Lock Washer	EHC01056	4
54	Magazine Assy. (1001 Single)	EHD21054	1
	Magazine Assy. (1002 Dbl.)	EHD23054	
64	Carriage Assy.	EHD21064	1
89	Flexloc Nut	EHC01089	1
90	Hanger	EHD21090	1
91	Cap Screw	EHD41091	1
92	Pad Roll	EHD41092	2
93	Pin, Jaw	EHD21093	2
94	Pin, Clevis	EHD21094	1
95	Silencer cotton	EHC01090	1
96	Copper Silencer	EHC01093	1
99	O-Ring	EHE01015	1
200	Trigger Guard Bracket Assy.	EHD01200	1

SERIES: D-Ring Closure Tools

TOOL MODELS: **RAD-1001** (3/4" Single Length Magazine), **RAD-1002** (3/4" Double Length Magazine)

PRODUCT #: RAD-1001, RAD-1002

Item	Tool Number	Item Number	Description	Qty	Item	Tool Number	Item Number	Description	Qty
1		EHC01094	Set Screw	1	39		EHD21039	Left Jaw	1
3		EHC01003	Lock Washer	6	40		EHD21040	Slide	1
4		EHC01091	Air Deflector	1	41		EHD21041	Right Jaw	1
5		EHC01005	Rear Valve Seat	1	42		EHD01042	SHCS	2
6		EHC01006	O-Ring	2	43		EHD01043	SHCS	2
7		EHC01007	Throttle Spring	1	44		EHD01044	Roll Pin	2
8		EHC01008	Throttle Spring Locator	1	45		EHD03045	Teeth	1
9		EHC01009	Throttle Valve Screw	6	47		EHD01047	Trigger Guard Bracket	1
10		EHC01010	Valve Screw Washer	2	48		EHC01036	Roll Pin	3
11		EHC01011	O-Ring Support	4	49		EHC01037	Trigger	1
12		EHC01012	O-Ring	5	50		EHD01020	Trigger Guard	1
13		EHC01013	O-Ring Center Support	2	51	1001	EHD21051	Pusher Assy.	1
14		EHC01014	Throttle Valve Spacer	1		1002	EHD23051	Pusher Assy.	
15		EHD01015	Piston Rod	1	52		EHC01056	Lock Washer	4
16		EHC01016	Front Valve Seat	1	54	1001	EHD21054	Magazine Assy.	1
17		EHD01017	Throttle Stem	1		1002	EHD23054	Magazine Assy.	
18		EHC01018	BHCS	1	59		EHC01059	Inlet Bushing	1
24		EHD01024	Housing Assy.	1	64		EHD21064	Carriage Assy.	1
28		EHC01028	Set Screw	2	89		EHC01089	Flexloc Nut	1
29		EHC01029	O-Ring Support	1	90		EHD21090	Hanger	1
30		EHD01030	Piston	1	91		EHD41091	Cap Screw	1
31		EHC01031	Cylinder Gasket	1	92		EHD41092	Pad Roll	2
32		EHD01032	Piston Stop Spacer	1	93		EHD21093	Pin, Jaw	2
33		EHD21033	Right Arm Link	1	94		EHD21094	Pin, Clevis	1
34		EHD21034	Clevis	1	95		EHC01090	Silencer Cotton	1
35		EHD01035	Set Screw	1	96		EHC01093	Copper Silencer	1
36		EHD21036	S-King	3	99		EHE01015	O-Ring	1
37		EHD21037	Left Arm Link	1	200		EHD01200	Trigger Guard Brk. Assy.	1

Rev. 10/20/2017