

SERIES: C-Ring Closure Tools

TOOL MODELS: **RAC-1001** (3/4"), **RAC-1002** (3/4" Tight Closure), **RAC-1004** (3/4" Extended Nose)  
**RAC-1003** (1/2")

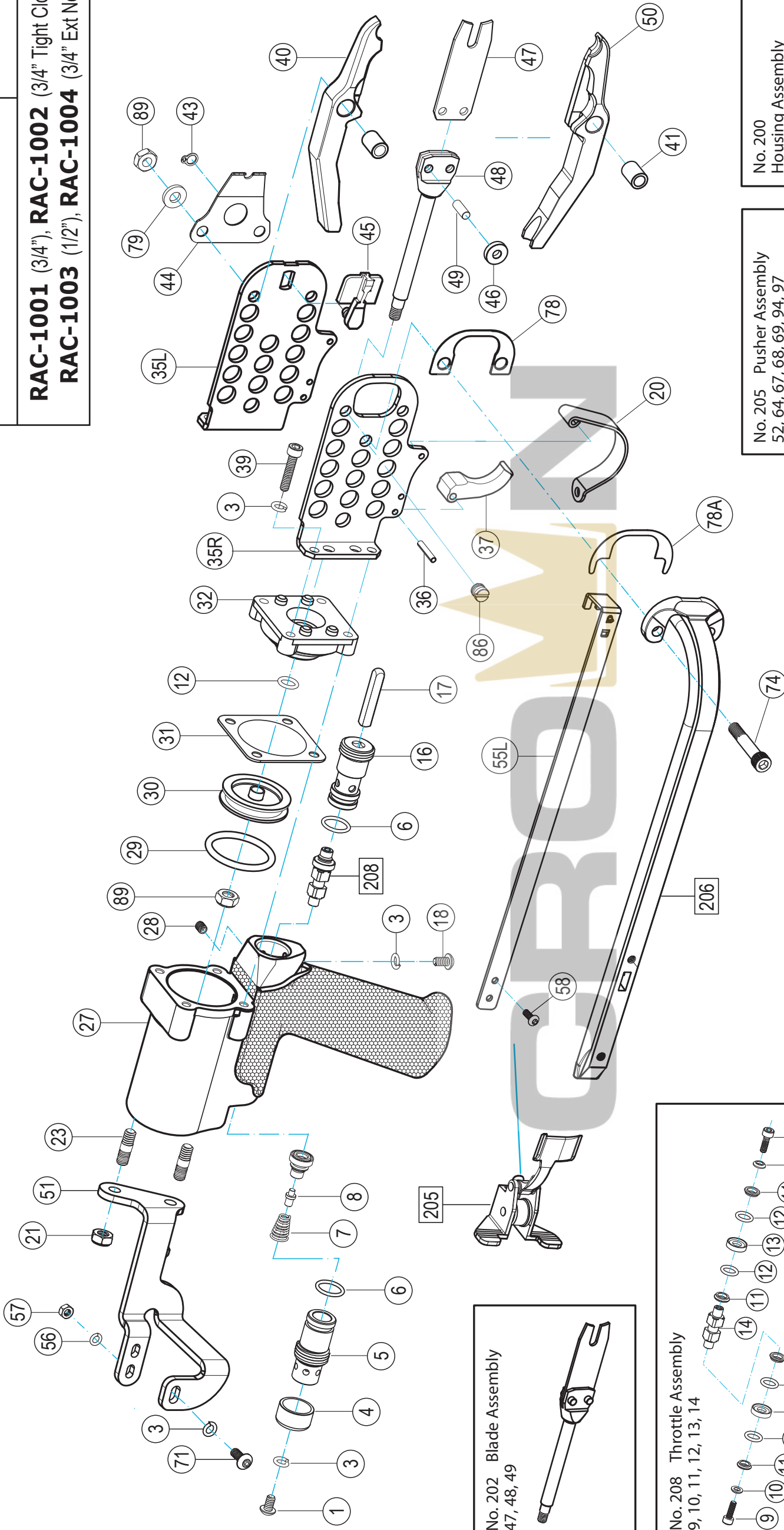
PRODUCT #: RAC-1001, RAC-1002, RAC-1004, RAC-1003

	Tool Number	Item Number	Description	Qty		Tool Number	Item Number	Description	Qty		
1		EHC01001	Set Screw	1	49		EHC01049	Roller Pin	2		
3		EHC01003	Lock Washer	7	50	1001	EHC04050	Lower Jaw	1		
4		EHC01004	Air Deflector	1		1002	EHC02050				
5		EHC01005	Rear Valve Seat	1		1003	EHC01050				
6		EHC01006	O-Ring	2		1004	EHC05050				
7		EHC01007	Throttle Spring	1	51		EHC01M051	Feeder Arm	1		
8		EHC01008	Throttle Spring Locator	1	52		EHC01M052	Washer	2		
9		EHC01009	Throttle Valve Screw	2	55L		EHC01M55L	Feeder Guide Rail	1		
10		EHC01010	Valve Screw Washer	2	56		EHC01056	Washer	2		
11		EHC01011	O-Ring Support	4	57		EHC01057	Nut	2		
12		EHC01012	O-Ring	5	58		EHC01M058	Screw	2		
13		EHC01013	O-Ring Center Support	2	64		EHC01M064	Socket Head Cap Screw	1		
14		EHC01014	Throttle Valve Spacer	1	67		EHC01M067	Magazine Set	1		
16		EHC01016	Front Valve Seat	1	68	1001/1002/1004	EHC02M068	Pusher	1		
17		EHC01017	Throttle Stem	1		1003	EHC01M068				
18		EHC01018	Button Head Cap Screw	1	69		EHC01M069	Stop Ring	2		
20		EHC01020	Trigger Guard	1	71		EHC01071	Feeder Arm Screw	1		
21		EHC01021	Nyloc Nut	2	73	1001/1002/1004	EHC02M073	Magazine Body	1		
23		EHC01023	Stud	2		1003	EHC11M073				
27		EHC01027	Housing	1	74		EHC01074	Jaw Bolt	2		
28		EHC01028	Set Screw	2	75	1001/1002/1004	EHC02075	Magazine Spring	2		
29		EHC01029	O-Ring	1		1003	EHC01075				
30		EHC01030	Piston	1	76	1001/1002/1004	EHC02M076	Magazine Shoe	1		
31		EHC01031	Cylinder Gasket	1		1003	EHC01M076				
32	1001/1003	EHC01032	Piston Stop Spacer	1	77	1001/1002/1004	EHC02077	Roll Pin	1		
	1002/1004	EHC02032					1003			EHC01077	
35R		EHC0135R	Side Plate (Right)	1	78		EHC01078	Magazine Shim (thick)	1		
35L		EHC0135L	Side Plate (Left)	1	78A		EHC01078A	Magazine Shim	1		
36		EHC01036	Roll Pin	3	79		EHC01079	Washer	2		
37		EHC01037	Trigger	1	82		EHC02082	Anti-Backup Clip	1		
39		EHC01039	Socket Head Cap Screw	4	83		EHC01M083	Screw	1		
40	1001	EHC04040	Upper Jaw	1	86		EHC01086	Screw	1		
	1002	EHC02040					89		EHC01089	Nyloc Nut	3
	1003	EHC01040					94		EHC01M094	Pin	2
	1004	EHC05040					97		EHC1M097	Spring Roller	1
41		EHC01041	Jaw Bushing	2							
43		EHC01043	Latch Pin Clip	1							
44	1001/1002/1003	EHC01044	Latch Spring	1							
	1004	EHC05044									
45	1001	EHC03045	Latch	1							
	1002/1003	EHC01045									
	1004	EHC05045									
46	1001/1003/1004	EHC01046	Roller	4	200		EHC01200	Housing Assembly	1		
	1002	EHC02046					201	1001	EHC03201	Piston & Piston Rod Assembly	1
						1002	EHC02201				
						1003	EHC01201				
						1004	EHC05201				
47	1001	EHC03047	Feeder Blade	1	202	1001	EHC03202	Piston Rod Assembly	1		
	1002	EHC02047								1002	EHC02202
	1003	EHC01047								1003	EHC01202
	1004	EHC05047								1004	EHC05202
48	1001/1004	EHC03048	Piston Rod	1	203		EHC01203	Frame Assembly	1		
	1002	EHC02048					205	1001/1002/1004	EHC02M205	Pusher Assembly	1
	1003	EHC01048					206	1001/1002/1004	EHC02M206	Magazine Assembly	1
						1003	EHC11M206				
					208		EHC01208	Throttle Assembly	1		
					210		EHC01M210	Spring Assembly	1		



# C-RING TOOL

**RAC-1001** (3/4"), **RAC-1002** (3/4" Tight Closure),  
**RAC-1003** (1/2"), **RAC-1004** (3/4" Ext Nose)



**No. 202 Blade Assembly**  
47, 48, 49

**No. 208 Throttle Assembly**  
9, 10, 11, 12, 13, 14

**No. 201 Piston & Piston Rod Assembly**  
12, 29, 30, 31, 32, 47, 48, 49, 89

**No. 203 Frame Assembly**  
20, 35R, 35L, 36, 37, 86

**No. 206 Magazine Assembly**  
73, 75, 76, 77, 82, 83

**No. 205 Pusher Assembly**  
52, 64, 67, 68, 69, 94, 97

**No. 200 Housing Assembly**  
23, 27, 28