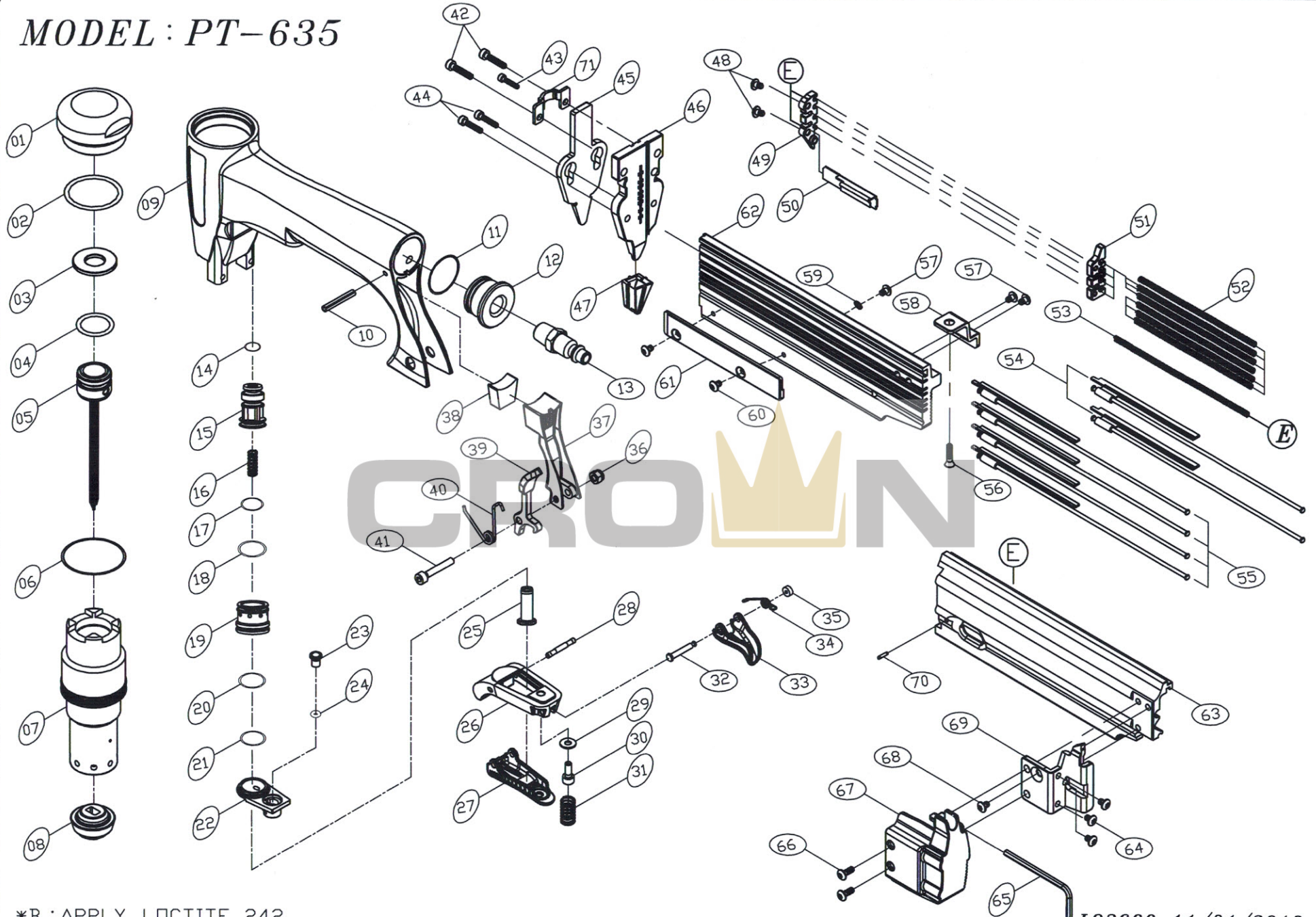


# MODEL : PT-635



\*B : APPLY LOCTITE 242

L92600 11/01/2010

**PARTS LIST (PT-635)**

**\*WHEN ORDERING SPARE PARTS, PLEASE STATE ITEM No, PART NO. AND DESCRIPTION.**

| ITEM | PART NO      | DESCRIPTION         | QTY | ITEM | PART NO     | DESCRIPTION            | QTY | ITEM | PART NO  | DESCRIPTION | QTY |
|------|--------------|---------------------|-----|------|-------------|------------------------|-----|------|----------|-------------|-----|
| 01   | 92600701     | HAMMER CAP HAMMER   | 1   | 35   | 16103001    | PU RING**              | 1   | 69   | 92600501 | LATCH       | 1   |
| 02   | 92600801     | O-RING              | 1   | 36   | LN0400N     | LOCK NUT               | 1   | 70   | 92603101 | PIN         | 1   |
| 03   | 31600301     | PISTON STOPPER      | 1   | 37   | 31603502    | EXHAUST COVER          | 1   | 71   | 92604001 | NOSE PLATE  | 1   |
| 04   | OR13824N     | O RING**            | 1   | 38   | 31606101    | MUFFLER                | 1   |      |          |             |     |
| 05   | 92601001     | PISTON RAM ASSEMBLY | 1   | 39   | 33403801    | LATCH                  | 1   |      |          |             |     |
| 06   | 92601101     | O-RING              | 1   | 40   | 31603701    | TOR SPRING             | 1   |      |          |             |     |
| 07   | 92601201     | CYLINDER            | 1   | 41   | HS04070B-25 | HEX. SOC. HD. BOLT     | 1   |      |          |             |     |
| 08   | 92600101     | BUMPER              | 1   | 42   | 92603901    | HEX SOC BOLT           | 2   |      |          |             |     |
| 09   | 31601201     | BODY                | 1   | 43   | HS04070B-12 | HEX. SOC. HD. BOLT     | 1   |      |          |             |     |
| 10   | RP3025S      | ROLLED PIN          | 1   | 44   | HS04070B-08 | HEX. SOC. HD. BOLT     | 2   |      |          |             |     |
| 11   | OR20326N     | O RING              | 1   | 45   | 92601601    | NOSE COVER             | 1   |      |          |             |     |
| 12   | 31603301     | END CAP             | 1   | 46   | 92600201    | NOSE                   | 1   |      |          |             |     |
| 13   | 12106401     | AIR PLUG            | 1   | 47   | 92601701    | NO MAR TIP             | 1   |      |          |             |     |
| 14   | OR07626N     | O RING              | 2   | 48   | 92601801    | HEX SOC BOLT FLAT HEAD | 2   |      |          |             |     |
| 15   | 31601701     | VALVE PLUNGER       | 1   | 49   | 92601901    | SPRING GUIDE SEAT A    | 1   |      |          |             |     |
| 16   | 31602201     | SPRING              | 1   | 50   | 92602001    | PUSHER A               | 1   |      |          |             |     |
| 17   | OR12418N     | O RING              | 1   | 51   | 92602101    | SPRING GUIDE SPRING    | 1   |      |          |             |     |
| 18   | OR15618N     | O RING**            | 1   | 52   | 92602201    | SPRING                 | 6   |      |          |             |     |
| 19   | 31602001     | VALVE CYLINDER      | 1   | 53   | 92602301    | PUSHER SPRING          | 1   |      |          |             |     |
| 20   | OR17313N     | O RING              | 1   | 54   | 92602401    | PUSHER L ASSEMBLY      | 2   |      |          |             |     |
| 21   | OR17218N     | O RING              | 1   | 55   | 92602501    | PUSHER C ASSEMBLY      | 4   |      |          |             |     |
| 22   | 31602301     | PLUNGER COVER       | 1   | 56   | FH04070B-12 | FLAT. HD. BOLT         | 1   |      |          |             |     |
| 23   | 31602601     | TRIGGER VALVE STEM  | 1   | 57   | US04070B-10 | UM. HD. BOLT           | 3   |      |          |             |     |
| 24   | OR02518N     | O RING              | 1   | 58   | 92600301    | TAIL HANGER            | 1   |      |          |             |     |
| 25   | 31602401     | CONNECTING TUBE     | 1   | 59   | 92602701    | SPRING WASHER          | 1   |      |          |             |     |
| 26   | 31602503     | TRIGGER BASE        | 1   | 60   | FH03050B-06 | FLAT. HD. BOLT         | 2   |      |          |             |     |
| 27   | 31602803     | TRIGGER             | 1   | 61   | 92602901    | PLATE                  | 1   |      |          |             |     |
| 28   | 31602901     | PIN                 | 1   | 62   | 92602801    | MAGAZINE               | 1   |      |          |             |     |
| 29   | FW040100B-08 | FLAT WASHER         | 1   | 63   | 92600401    | MAGAZINE COVER         | 1   |      |          |             |     |
| 30   | HS04070B-10  | HEX. SOC. HD. BOLT  | 1   | 64   | 92603201    | HEX SOC BOLT FLAT HEAD | 3   |      |          |             |     |
| 31   | 12103901     | SPRING              | 1   | 65   | HE030S      | HEX. SPAANNER          | 1   |      |          |             |     |
| 32   | 12105802     | SHAFT               | 1   | 66   | US04070B-08 | UM. HD. BOLT           | 2   |      |          |             |     |
| 33   | 31606001     | TRIGGER CONTROLLER  | 1   | 67   | 92600601    | REAR MAGAZINE BUMPER   | 1   |      |          |             |     |
| 34   | 11009101     | TOR. SPRING         | 1   | 68   | FH04070B-07 | FLAT. HD. BOLT         | 1   |      |          |             |     |