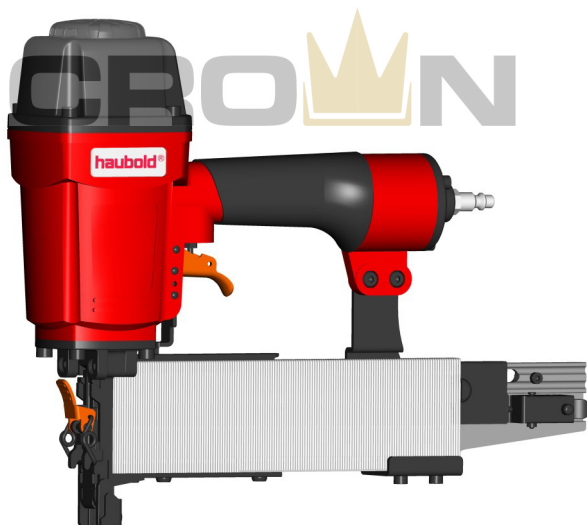


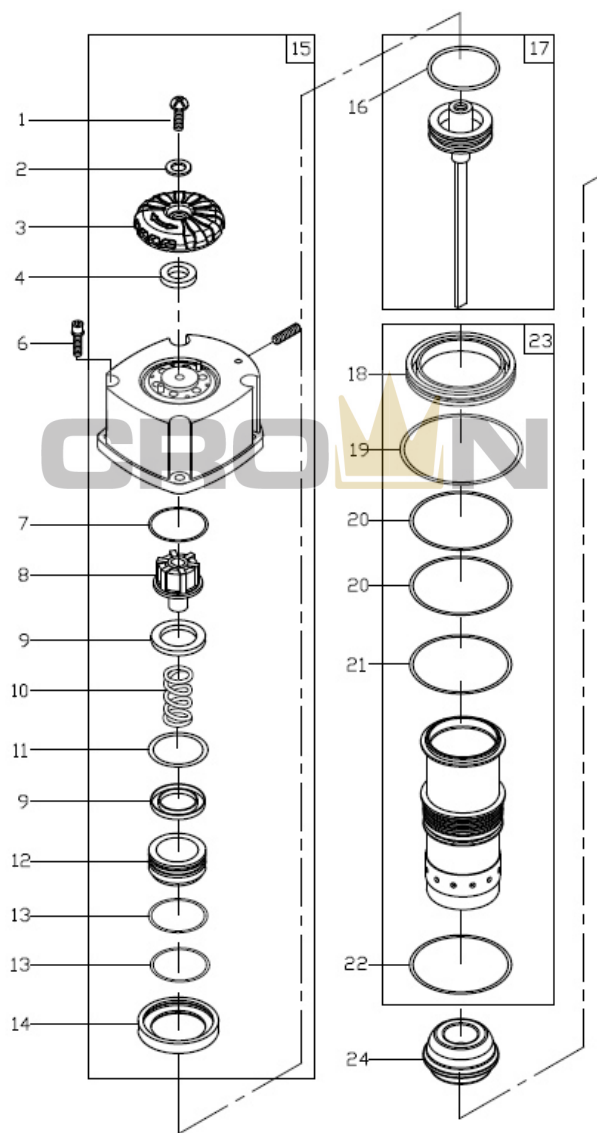
# haubold®

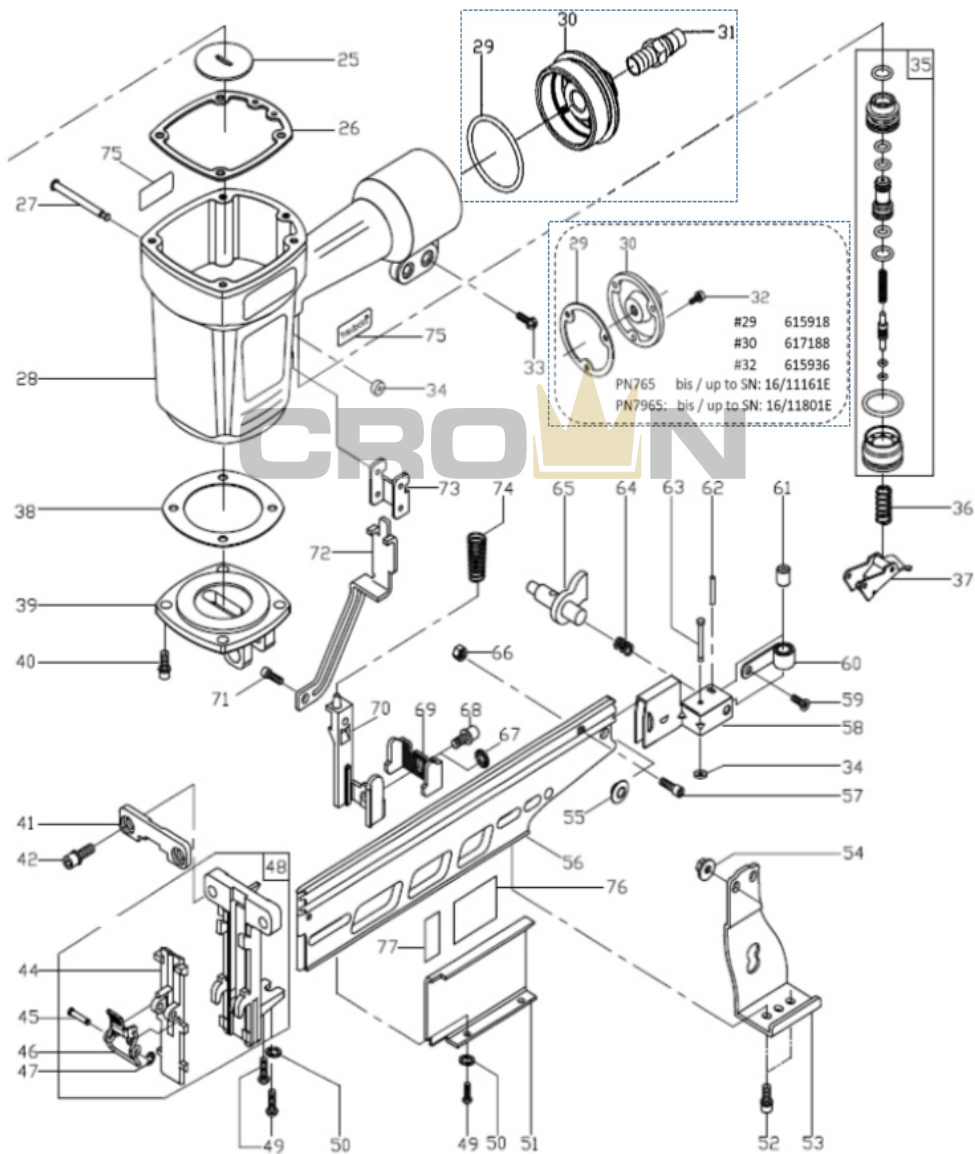
## *PN765 / PN7965* *Operating Instructions*



D: Betriebsanleitung  
NL: Gebruiksaanwijzing  
F: Manuel d'utilisation  
E: Instrucciones de uso  
P: Manual de Instruções  
I: Istruzioni d'uso  
DK: Brugsanvisning  
S: Bruksanvisning

N: Bruksanvisning  
FIN: Käyttöohjeet  
EST: Kasutusjuhend  
PL: Instrukcja obsługi  
CZ: Návod k obsluze  
H: Használati utasítás  
SLO: Navodila za uporabo  
HR: Upute za rukovanje





**- PN765 -**

No.	Code	Name	No.	Code	Name
1	617364	SCREW	40	617353	SCREW
2	617161	FLAT WASHER	41	615906	SET PLATE
3	617342	EXHAUST COVER	42	904690	SCREW
4	615866	PU RING			
6	617343	SCREW	44	615903	DRIVER GUIDE COVER
7	615868	SPACER	45	615901	STEPPED PIN
8	615869	PISTON STOPPER	46	615931	LATCH
9	615927	SPACER	47	403713	E RING
10	615870	SPRING	48	617354	NOSE ASSEMBLY PN765
11	615871	O RING	49	617355	SCREW
12	617344	PISTON HEAD VALVE	50	004238	SPRING WASHER
13	615873	O RING	51	617356	COVER
14	615874	SEAL	52	617357	SCREW
15	617345	CAP ASSEMBLY	53	615917	BRACKET
16	615875	O RING	54	615938	LOCK NUT
17	615929	PISTON ASSEMBLY PN765	55	615909	POSITIONING BUSHING
18	615876	CYLINDER SPACER	56	615908	MAGAZINE PN765
19	615877	O RING	57	402167	SCREW
20	615878	O RING	58	615912	PUSHER PN765
21	615930	O RING	59	617359	SCREW
22	617269	O RING	60	615913	SPRING
23	617346	CYLINDER ASSMEBLY	61	615923	ROLLER
24	615880	BUMPER	62	617360	ROLLED PIN PN765
25	615881	WASHER PN765	63	617361	SHAFT
26	615883	GASKET	64	615916	SPRING
27	615885	STEPPED PIN	65	615915	STOPPER
28	577009	BODY	66	401254	LOCK NUT
29	576819	O RING	67	615926	STAR WASHER
30	576820	END CAP	68	617362	SCREW
31	617348	AIR PLUG	69	615925	SAFETY ADJUSTING LEVER
			70	615889	SAFETY LEVER
33	615940	SCREW	71	615941	SCREW
34	402486	PU RING	72	615924	UPPER SAFETY LEVER
35	617349	TRIGGER VALVE ASSEMBLY	73	615887	GUIDE SAFETY LEVER
36	615902	SPRING	74	615888	COMPRESSION SPRING
37A	615933	BUMP FIRE TRIGGER	75	617363	LOGO LABEL
37B	575191	SEQUENTIAL FIRE TRIGGER	76A	574513	MODEL LABEL PN765 contact
38	615922	GASKET	76B	574515	MODEL LABEL PN765 sequential
39	615886	BOTTOM	77	574516	WARNING LABEL

**- PN7965 -**

No.	Code	Name	No.	Code	Name
1	617364	SCREW	40	617353	SCREW
2	617161	FLAT WASHER	41	615906	SET PLATE
3	617342	EXHAUST COVER	42	904690	SCREW
4	615866	PU RING			
6	617343	SCREW	44	615903	DRIVER GUIDE COVER
7	615868	SPACER	45	615901	STEPPED PIN
8	615869	PISTON STOPPER	46	615931	LATCH
9	615927	SPACER	47	403713	E RING
10	615870	SPRING	48	617350	NOSE ASSEMBLY PN7965
11	615871	O RING	49	617355	SCREW
12	617344	PISTON HEAD VALVE	50	004238	SPRING WASHER
13	615873	O RING	51	617356	COVER
14	615874	SEAL	52	617357	SCREW
15	617345	CAP ASSEMBLY	53	615917	BRACKET
16	615875	O RING	54	615938	LOCK NUT
17	615928	PISTON ASSEMBLY PN7965	55	615909	POSITIONING BUSHING
18	615876	CYLINDER SPACER	56	615907	MAGAZINE PN7965
19	615877	O RING	57	617358	SCREW
20	615878	O RING	58	615911	PUSHER PN7965
21	615930	O RING	59	617359	SCREW
22	617269	O RING	60	615913	SPRING
23	617346	CYLINDER ASSMEBLY	61	615923	ROLLER
24	615880	BUMPER	62	310088	ROLLED PIN PN7965
25	615882	WASHER PN7965	63	617361	SHAFT
26	615883	GASKET	64	615916	SPRING
27	615885	STEPPED PIN	65	615915	STOPPER
28	577009	BODY	66	401254	LOCK NUT
29	576819	O RING	67	615926	STAR WASHER
30	576820	END CAP	68	617362	SCREW
31	617348	AIR PLUG	69	615925	SAFETY ADJUSTING LEVER
			70	615889	SAFETY LEVER
33	615940	SCREW	71	615941	SCREW
34	402486	PU RING	72	615924	UPPER SAFETY LEVER
35	617349	TRIGGER VALVE ASSEMBLY	73	615887	GUIDE SAFETY LEVER
36	615902	SPRING	74	615888	COMPRESSION SPRING
37A	617351	BUMP FIRE TRIGGER	75	617363	LOGO LABEL
37B	575192	SEQUENTIAL FIRE TRIGGER	76A	574518	MODEL LABEL PN7965 contact
38	615922	GASKET	76B	574520	MODEL LABEL PN7965 sequential
39	615886	BOTTOM	77	574516	WARNING LABEL





**haubold<sup>®</sup>**

**ITW Befestigungssysteme**

Eurocode: 574516 (2017/I)