

# haubold®

## *PN765A / PN7965A*

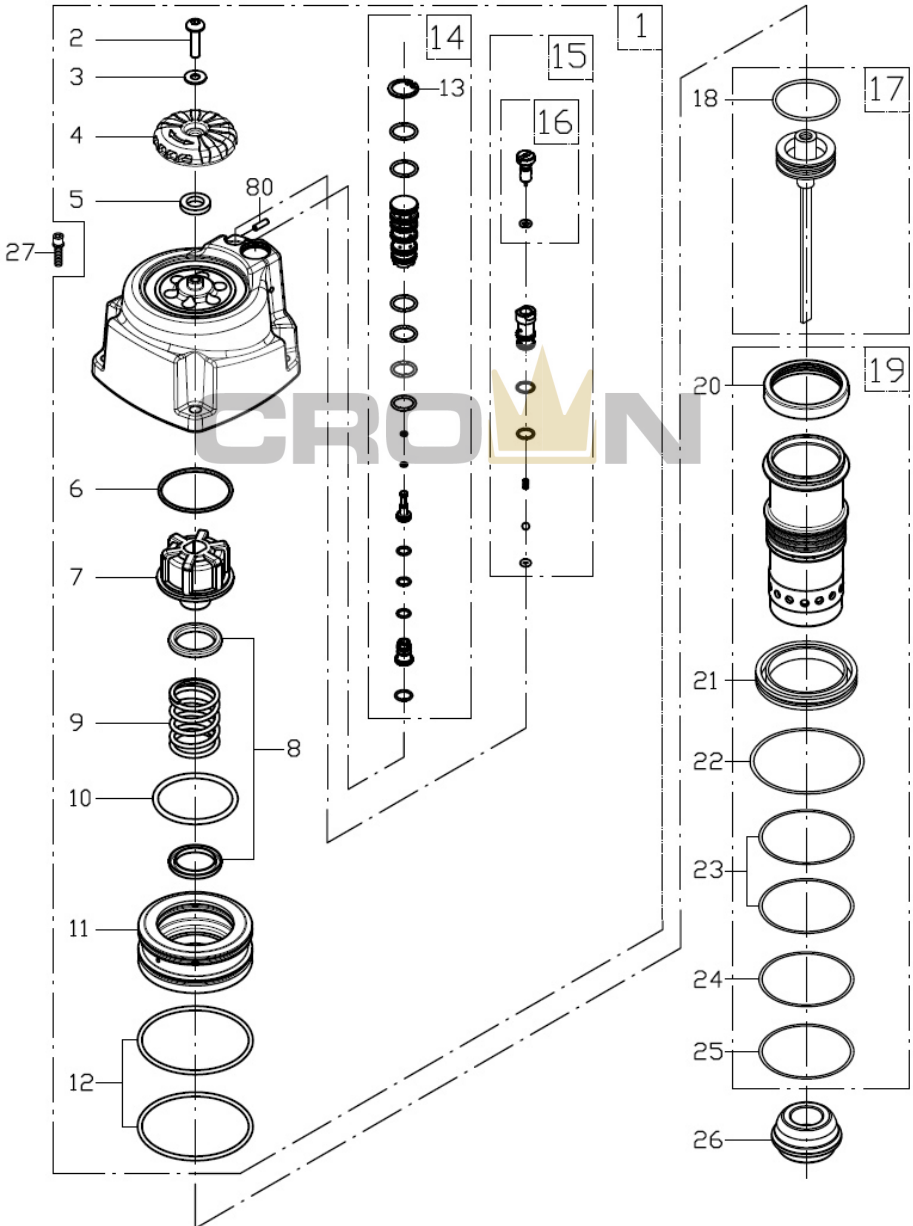
### *Operating Instructions*



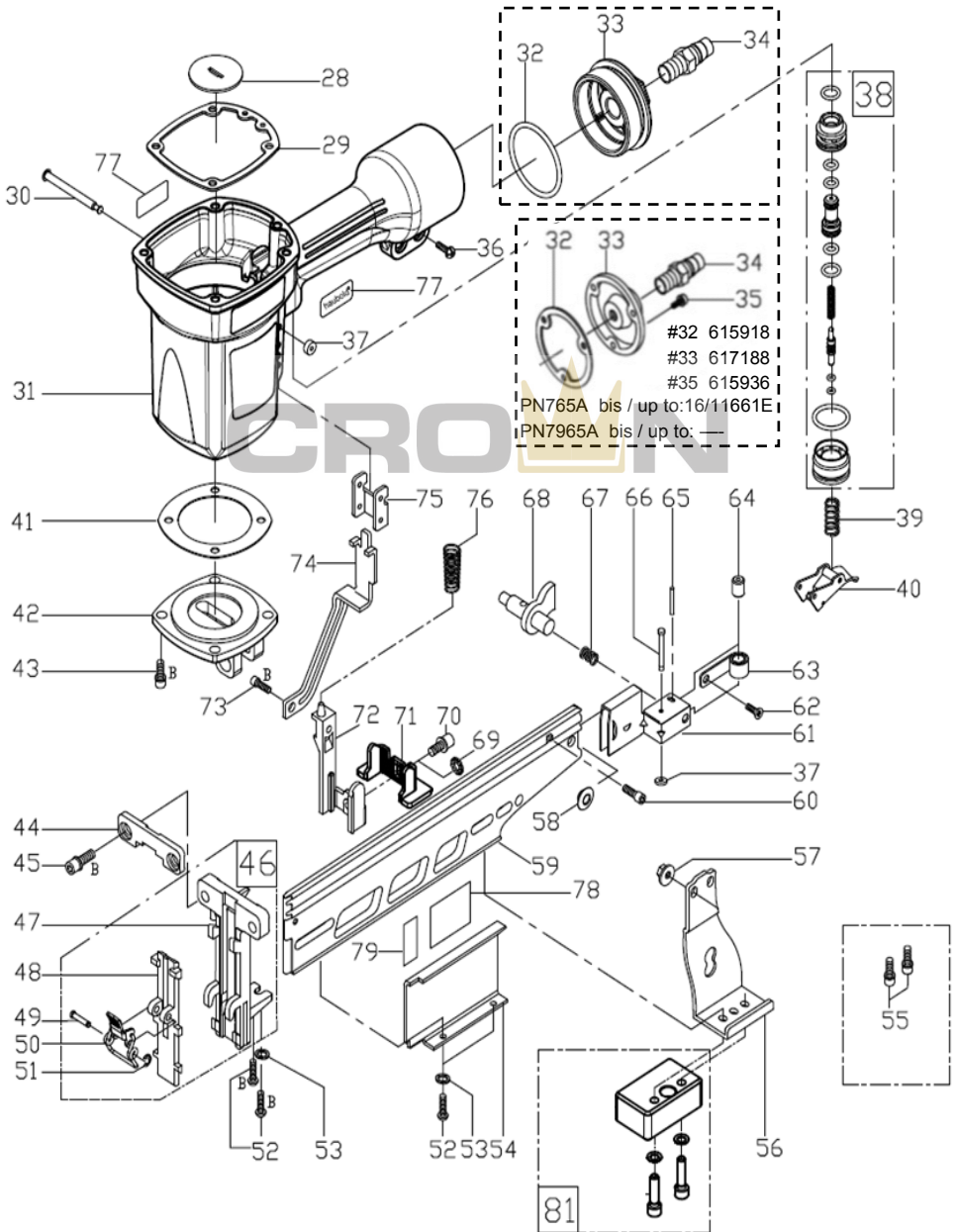
D: Betriebsanleitung  
NL: Gebruiksaanwijzing  
F: Manuel d'utilisation  
E: Instrucciones de uso  
P: Manual de Instruções  
I: Istruzioni d'uso  
DK: Brugsanvisning  
S: Bruksanvisning

N: Bruksanvisning  
FIN: Käyttöohjeet  
EST: Kasutusjuhend  
PL: Instrukcja obsługi  
CZ: Návod k obsluze  
H: Használati utasítás  
SLO: Navodila za uporabo  
HR: Upute za rukovanje

PN765A / PN7965A



PN765A / PN7965A



## PN765A

No.:	Code:	Name:	No.:	Code:	Name:
01	576488	CAP ASSEMBLY	42	615886	BOTTOM
02	617364	SCREW	43	617353	SCREW
03	576489	WASHER	44	615906	SET PLATE
04	617342	EXHAUST COVER	45	576496	SCREW
05	615866	PU RING	46	576522	NOSE ASS.
06	615868	SPACER			
07	615869	PISTON STOPPER	48	615903	COVER
08	615927	SPACER	49	615901	PIN
09	615870	SPRING	50	615931	LATCH
10	615871	O RING	51	617136	E RING
11	576490	PISTON HEAD VALVE	52	617355	SCREW
12	576491	O RING	53	576499	SPRING WASHER
13	576129	C RING	54	615910	COVER
14	576130	AUTOMATIC VALVE ASS.	55	617357	SCREW
15	576132	ADJUSTMENT VALVE ASS.	56	615917	BRACKET
16	576133	ADJUSTMENT SCREW	57	576500	LOCK NUT
17	576521	PISTON ASS.	58	615909	POSITIONING BUSHING
18	615875	O RING	59	615908	MAGAZINE PN765
19	576493	CYLINDER ASS.	60	576362	SCREW
20	617261	CYLINDER SEAL	61	615912	PUSHER
21	615876	CYLINDER SPACER	62	617359	SCREW
22	615877	O RING	63	615913	SPRING
23	615878	O RING	64	615923	ROLLER
24	615930	O RING	65	576501	PIN
25	617269	O RING	66	617361	SHAFT
26	615880	BUMPER	67	615916	SPRING
27	617343	SCREW	68	615915	STOPPER
28	615881	WASHER PN765	69	615926	STAR WASHER
29	615883	GASKET	70	617362	SCREW
30	615885	PIN	71	576811	SLIDING SHOE WCE
31	577009	BODY	72	615889	SAFETY LEVER
32	576819	O-Ring	73	615941	SCREW
33	576820	END CAP	74	615924	UPPER SAFETY LEVER
34	617348	AIR PLUG	75	615887	GUIDE SAFETY LEVER
			76	615888	COMPRESSION SPRING
36	615940	SCREW	77	617363	LOGO LABEL
37	576494	PU RING	78	576502	MODEL LABEL
38	617349	TRIGGER VALVE ASS.	79	576503	WARNING LABEL
39	615902	SPRING	80	576449	SCREW
40	576495	BUMP FIRE TRIGGER	81	576812	MAGAZINE SUPPORT SET
41	615922	GASKET			

**PN7965A**

No.:	Code:	Name	No.:	Code:	Name
01	576488	CAP ASSEMBLY	42	615886	BOTTOM
02	617364	SCREW	43	617353	SCFREW
03	617161	WASHER	44	615906	SET PLATE
04	617342	EXHAUST COVER	45	904690	SCREW
05	615866	PU RING	46	617350	NOSE ASS.
06	615868	SPACER	47		
07	615869	PISTON STOPPER	48	615903	COVER
08	615927	SPACER	49	615901	PIN
09	615870	SPRING	50	615931	LATCH
10	615871	O RING	51	403713	E RING
11	617344	PISTON HEAD VALVE	52	617355	SCREW
12	615873	O RING	53	004238	SPRING WASHER
13	615873	C RING	54	617356	COVER
14	576130	AUTOMATIC VALVE ASS.	55	617357	SCREW
15	576132	ADJUSTMENT VALVE ASS.	56	615917	BRACKET
16	576133	ADJUSTMENT SCREW	57	615938	LOCK NUT
17	576626	PISTON ASS.	58	615909	POSITIONING BUSHING
18	615876	O RING	59	615907	MAGAZINE PN7965
19	617346	CYLINDER ASS.	60	617358	SCREW
20	617261	CYLINDER SEAL	61	615911	PUSHER
21	615876	CYLINDER SPACER	62	617359	SCREW
22	615877	O RING	63	615913	SPRING
23	615878	O RING	64	615923	ROLLER
24	615930	O RING	65	310088	ROLLED PIN
25	617269	O RING	66	617361	SHAFT
26	615880	BUMPER	67	615916	SPRING
27	617343	SCREW	68	615915	STOPPER
28	615882	WASHER PN7965	69	615926	STAR WASHER
29	615883	GASKET	70	617362	SCREW
30	615885	PIN	71	576811	SLIDING SHOE WCE
31	577009	BODY	72	615889	SAFETY LEVER
32	576819	O-Ring	73	615941	SCREW
33	576820	END CAP	74	615924	UPPER SAFETY LEVER
34	617348	AIR PLUG	75	615887	GUIDE SAFETY LEVER
			76	615888	COMPRESSION SPRING
36	615940	SCREW	77	617363	LOGO LABEL
37	402486	PU RING	78	576627	MODEL LABEL
38	617349	TRIGGER VALVE ASS.	79	574516	WARNING LABEL
39	615902	SPRING	80	576449	SCREW
40	617351	BUMP FIRE TRIGGER	81	576812	MAGAZINE SUPPORT SET
41	615922	GASKET			



**haubold<sup>®</sup>**

**ITW Befestigungssysteme**

Eurocode: 576517 (2017 / I)