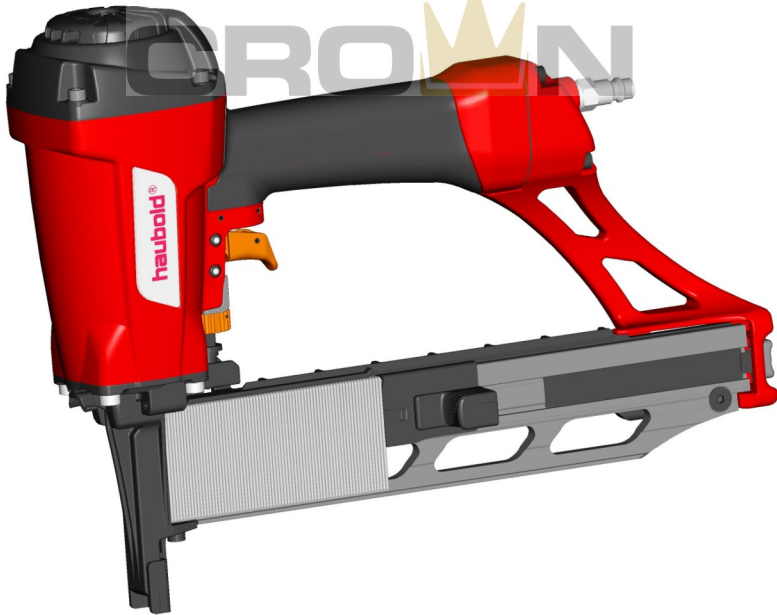


haubold®

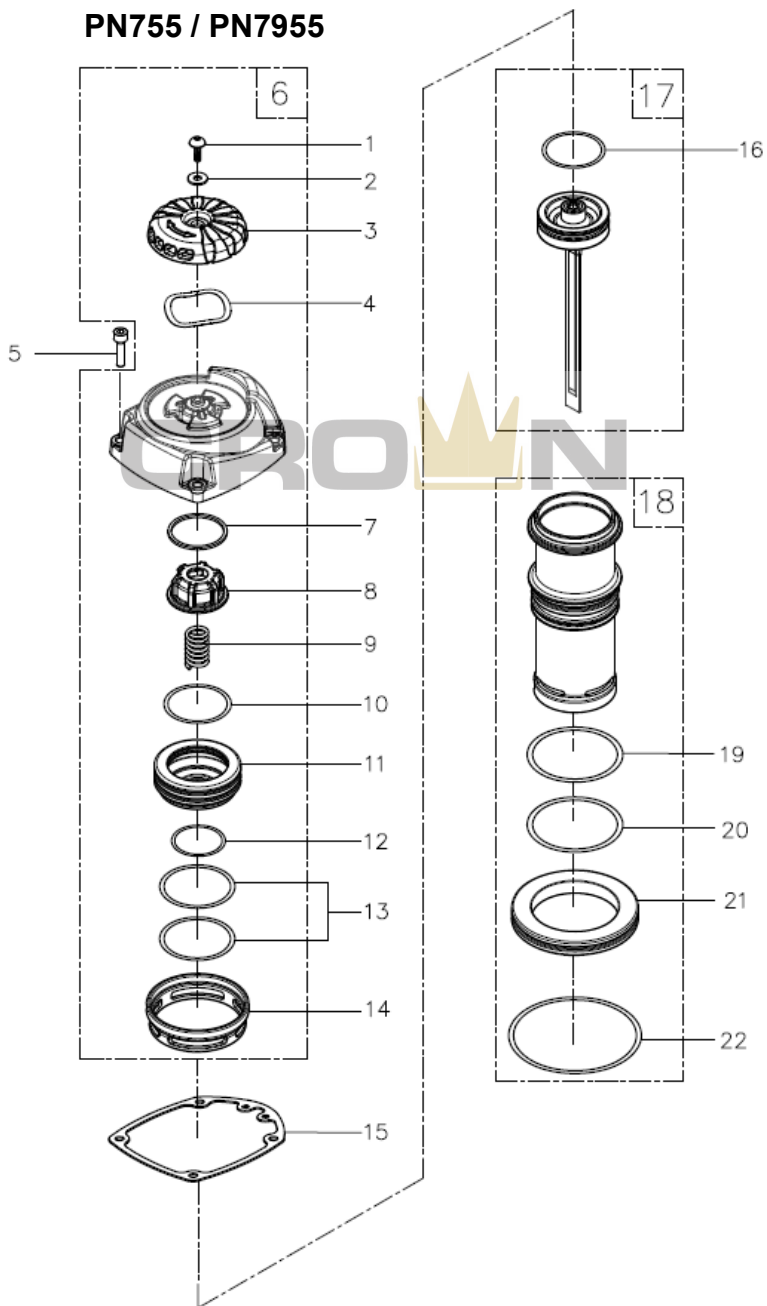
PN755 / PN7955 *Operating Instructions*



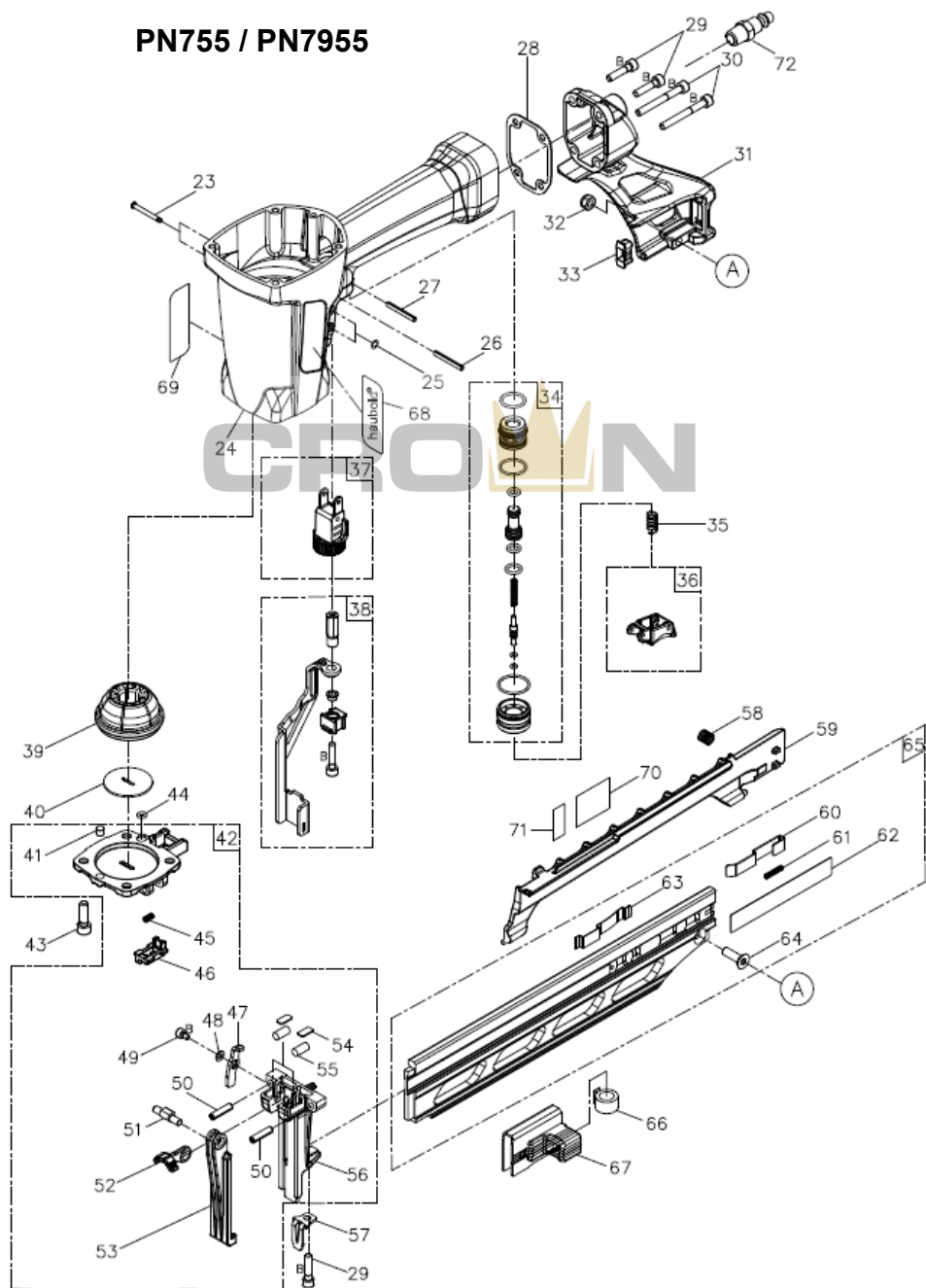
D: Betriebsanleitung
NL: Gebruiksaanwijzing
F: Manuel d'utilisation
E: Instrucciones de uso
P: Manual de Instruções
I: Istruzioni d'uso
DK: Brugsanvisning
S: Bruksanvisning

N: Bruksanvisning
FIN: Käyttöohjeet
EST: Kasutusjuhend
PL: Instrukcja obsługi
CZ: Návod k obsluze
H: Használati utasítás
SLO: Navodila za uporabo
HR: Upute za rukovanje

PN755 / PN7955



PN755 / PN7955



- PN755 -

No.	Code	Name	No.	Code	Name
01	617012	SCREW	37	617449	DEPTH OF DRIVE ASSEMBLY
02	617013	WASHER	38	617450	WCE ASSEMBLY
03	617014	EXHAUST COVER	39	617451	BUMPER
04	617097	WAVE WASHER	40	617452	WASHER
05	617015	SCREW	41	617453	MAGNET
06	617322	CAP ASSEMBLY	42	617454	BOTTOM ASSEMBLY PN755
07	617017	SPACER	43	617079	SCREW
08	617018	PISTON STOP	44	617077	O RING
09	617019	COMPRESSION SPRING	45	617456	SPRING
10	617021	O RING	46	617457	SLIDE BLOCK
11	617022	PISTON HEAD VALVE	47	617458	LEVER
12	617096	O RING	48	617459	WASHER
13	617023	O RING	49	402167	SCREW
14	617024	COLLAR	50	617461	PIN
15	617025	CYLINDER CAP SEAL	51	617462	OFF-SET SHAFT
16	617026	O RING	52	617463	LATCH
17	617440	PISTON ASSEMBLY	53	617464	DRIVER GUIDE COVER PN755
18	617441	CYLINDER ASSEMBLY	54	617466	METAL PLATE
19	617029	O RING	55	617467	PU
20	617031	O RING	56	617468	NOSE
21	617032	CYLINDER RING	57	617469	SAFETY COVER
22	617033	O RING	58	617470	SPRING
23	617038	PIN	59	617471	MAGAZINE COVER
24	617442	BODY	60	617472	RELEASE LEVER
25	617034	O RING	61	617473	SPRING
26	617037	PIN	62	617474	PROTECTION PLATE
27	617036	PIN	63	617475	STOPPER
28	617039	GASKET	64	617476	SCREW
29	617443	SCREW	65	617477	MAGAZINE ASSEMBLY
30	617444	SCREW	66	617478	SPRING
31	617445	END CAP	67	617479	PUSHER
32	617446	NUT	68	617480	LOGO LABEL (RIGHT SIDE)
33	617447	BUTTON	69	617481	LOGO LABEL (LEFT SIDE)
34	617052	TRIGGER VALVE ASSEMBLY	70	575177	MODEL LABEL PN755 CONTACT
35	617053	SPRING	70	575189	MODEL LABEL PN755 SEQUENTIAL
36	617448	BUMP FIRE TRIGGER ASS.	71	575168	WARNING LABEL
36	575194	SEQUENTIAL TRIGGER ASS. KIT PN755	72	617241	AIR PLUG

- PN7955 -

No.	Code	Name	No.	Code	Name
01	617012	SCREW	37	617449	DEPTH OF DRIVE ASSEMBLY
02	617013	FLAT WASHER	38	617450	WCE ASSEMBLY
03	617014	EXHAUST COVER	39	617451	BUMPER
04	617097	WAVE WASHER	40	617452	WASHER
05	617015	SCREW	41	617453	MAGNET
06	617322	CAP ASSEMBLY	42	617455	BOTTOM ASSEMBLY PN7955
07	617017	SPACER	43	617079	SCREW
08	617018	PISTON STOP	44	617077	O RING
09	617019	COMPRESSION SPRING	45	617456	SPRING
10	617021	O RING	46	617457	SLIDE BLOCK
11	617022	PISTON HEAD VALVE	47	617458	LEVER
12	617096	O RING	48	617459	WASHER
13	617023	O RING	49	402167	SCREW
14	617024	COLLAR	50	617461	PIN
15	617025	CYLINDER CAP SEAL	51	617462	OFF-SET SHAFT
16	617026	O RING	52	617463	LATCH
17	617440	PISTON ASSEMBLY	53	617465	DRIVER GUIDE COVER PN7955
18	617441	CYLINDER ASSEMBLY	54	617466	METAL PLATE
19	617029	O RING	55	617467	PU
20	617031	O RING	56	617468	NOSE
21	617032	CYLINDER RING	57	617469	SAFETY COVER
22	617033	O RING	58	617470	SPRING
23	617038	PIN	59	617471	MAGAZINE COVER
24	617442	BODY	60	617472	RELEASE LEVER
25	617034	O RING	61	617473	SPRING
26	617037	PIN	62	617474	PROTECTION PLATE
27	617036	PIN	63	617475	STOPPER
28	617039	GASKET	64	617476	SCREW
29	617443	SCREW	65	617477	MAGAZINE ASSEMBLY
30	617444	SCREW	66	617478	SPRING
31	617445	END CAP	67	617479	PUSHER
32	617446	NUT	68	617480	LOGO LABEL (RIGHT SIDE)
33	617447	BUTTON	69	617481	LOGO LABEL (LEFT SIDE)
34	617052	TRIGGER VALVE ASSEMBLY	70	575636	MODEL LABEL PN7955 CONTACT
35	617053	SPRING	70	575633	MODEL LABEL PN7955 SEQUENTIAL
36	617448	BUMP FIRE TRIGGER ASS.	71	575168	WARNING LABEL
36	617482	SEQUENTIAL TRIGGER ASS. KIT PN7955	72	617241	AIR PLUG



haubold[®]
ITW Befestigungssysteme

Eurocode: 575182 (2012/I)