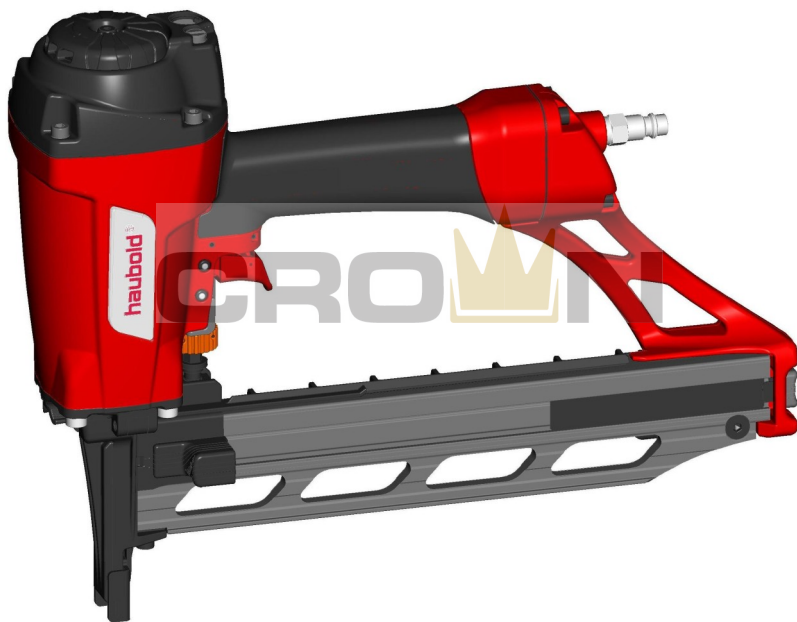


haubold®

PN755A

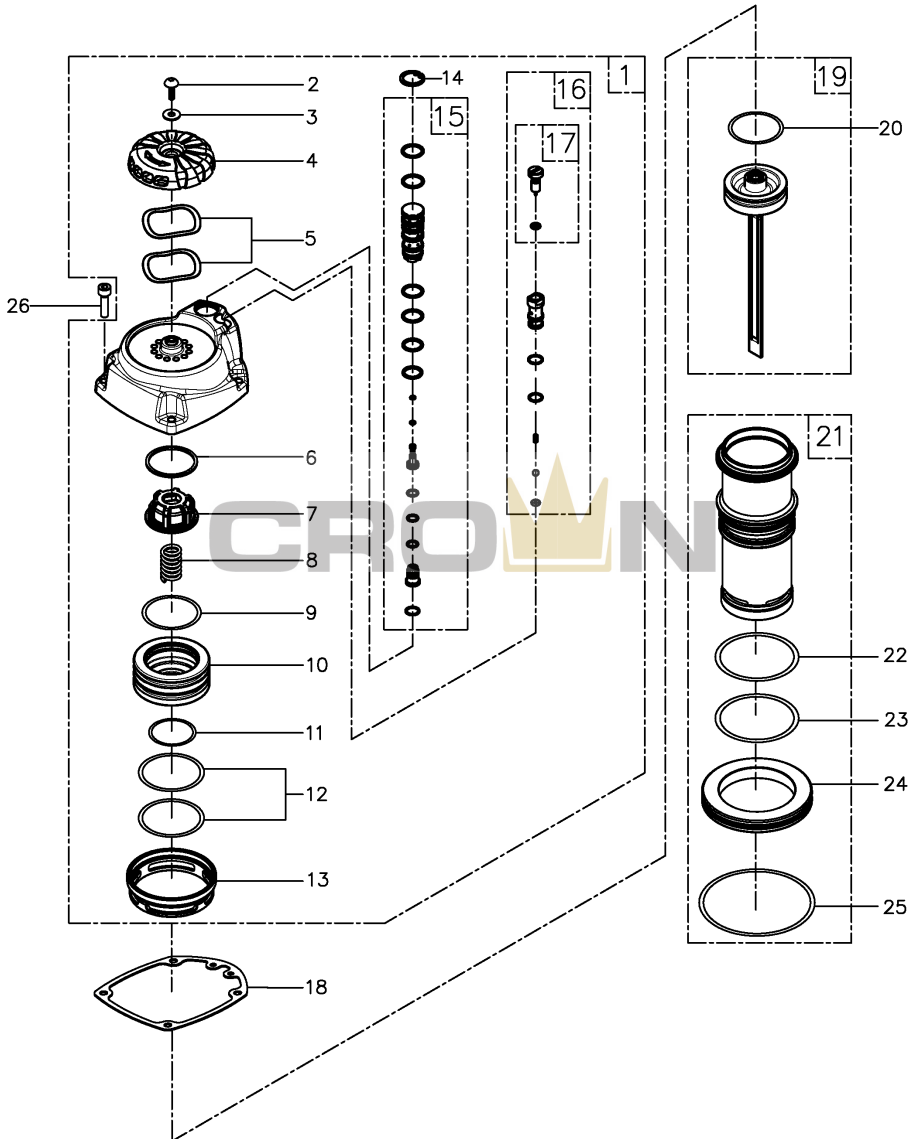
Operating Instructions



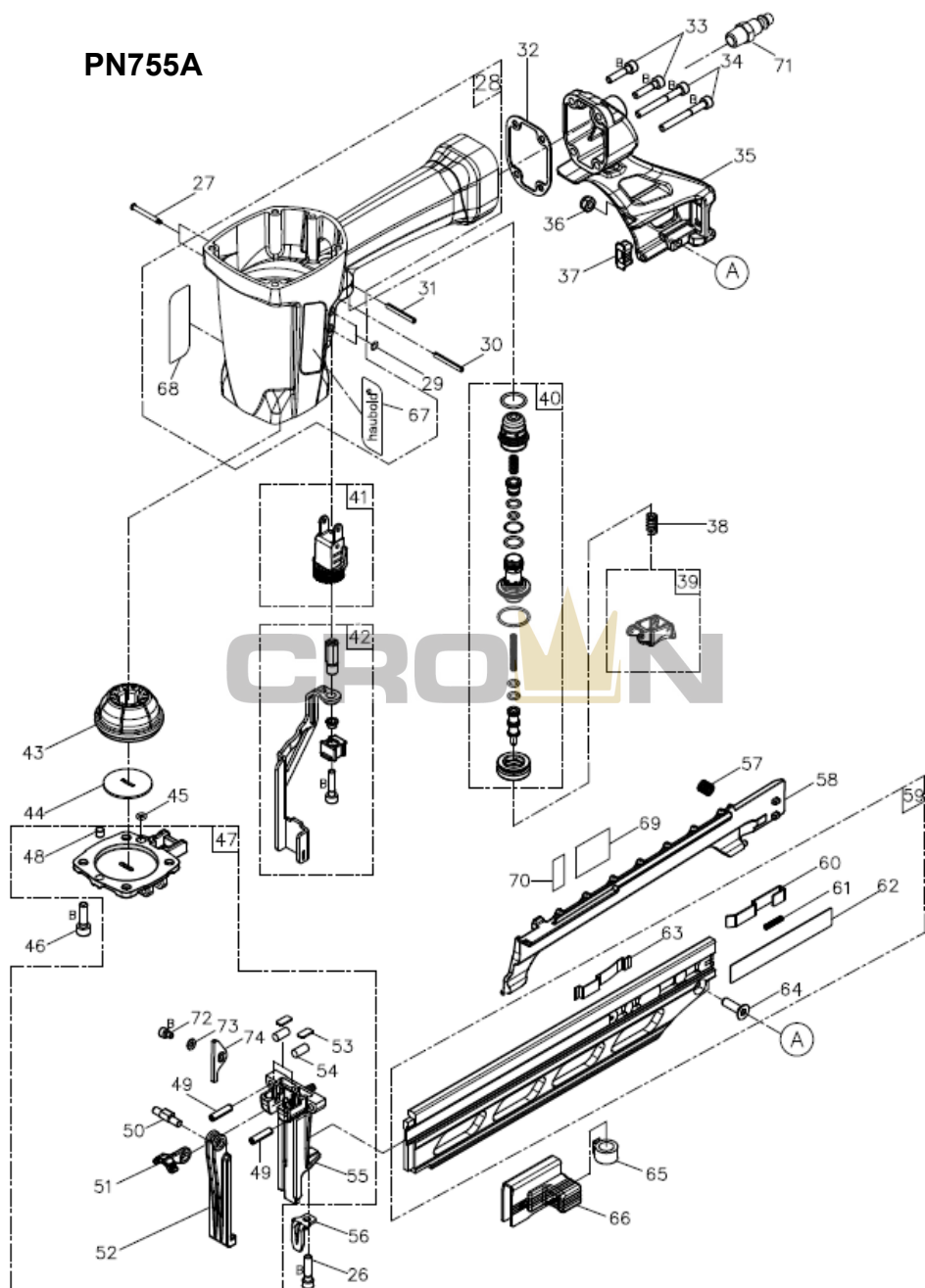
D: Betriebsanleitung
NL: Gebruiksaanwijzing
F: Manuel d'utilisation
E: Instrucciones de uso
P: Manual de Instruções
I: Istruzioni d'uso
DK: Brugsanvisning
S: Bruksanvisning

N: Bruksanvisning
FIN: Käyttöohjeet
EST: Kasutusjuhend
PL: Instrukcja obsługi
CZ: Návod k obsluze
H: Használati utasítás
SLO: Navodila za uporabo
HR: Upute za rukovanje

PN755A



PN755A



- PN755A -

No.	Code	Name	No.	Code	Name
01	576131	AUTOMATIK CAP AS.	38	617053	SPRING
02	617012	SCREW	39	576221	AUTO FIRE TRIGGER
03	617013	WASHER	40	575840	TRIGGER VALVE AS.
04	617014	EXHAUST COVER	41	617449	DEPTH OF DRIVE AS.
05	617097	WAVE WASHER	42	617450	WCE AS.
06	617017	SPACER	43	576222	BUMPER NBR
07	617018	PISTON STOP	44	617452	WASHER
08	617019	COMPRESSION SPRING	45	617077	O RING
09	617021	O RING	46	617079	SCREW
10	576220	MAIN VALVE	47	576223	NOSE AS. PN755A
11	617096	O RING	48	617453	MAGNET
12	617023	O RING	49	617461	PIN
13	617024	COLLAR	50	617462	OFF-SET SHAFT
14	576129	C RING	51	617463	LATCH
15	576130	AUTOMATIK VALVE AS.	52	617464	DRIVER GUIDE COVER
16	576132	ADJUSTMENT VALVE	53	617466	METAL PLATE
17	576133	ADJUSTMENT SCREW	54	617467	PU
18	617025	CYLINDER CAP SEAL	55	576224	NOSE
19	617440	PISTON AS.	56	617469	BRACKET
20	617026	O RING	57	617470	SPRING
21	617441	CYLINDER AS.	58	617471	MAGAZINE COVER
22	617029	O RING	59	617477	MAGAZINE AS.
23	617031	O RING	60	617472	LEVER
24	617032	CYLINDER RING	61	617473	SPRING
25	617033	O RING	62	617474	COVER
26	617015	SCREW	63	617475	PUSHER LOCK
27	617038	PIN	64	617476	SCREW
28	617442	BODY	65	617478	SPRING
29	617034	O RING	66	617479	PUSHER
30	617037	PIN	67	617480	LOGO LABEL
31	617036	PIN	68	617481	LOGO LABEL
32	617039	GASKET	69	576135	MODEL LABEL
33	617443	SCREW	70	575168	WARNING LABEL
34	617444	SCREW	71	617241	AIR PLUG
35	617445	END CAP	72	576225	SCREW
36	617446	NUT	73	576226	WASHER
37	617447	BUTTON	74	576227	LEVER



ITW Befestigungssysteme

Eurocode: 576125 (2013/II)