

# haubold®

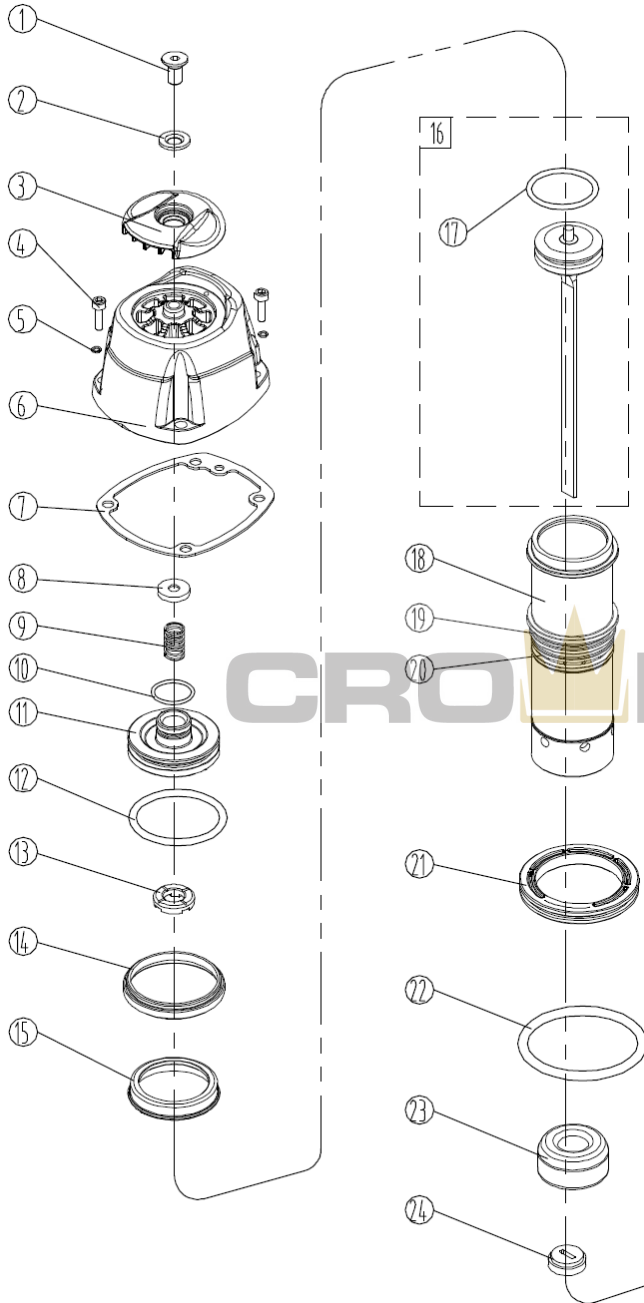
## PN540

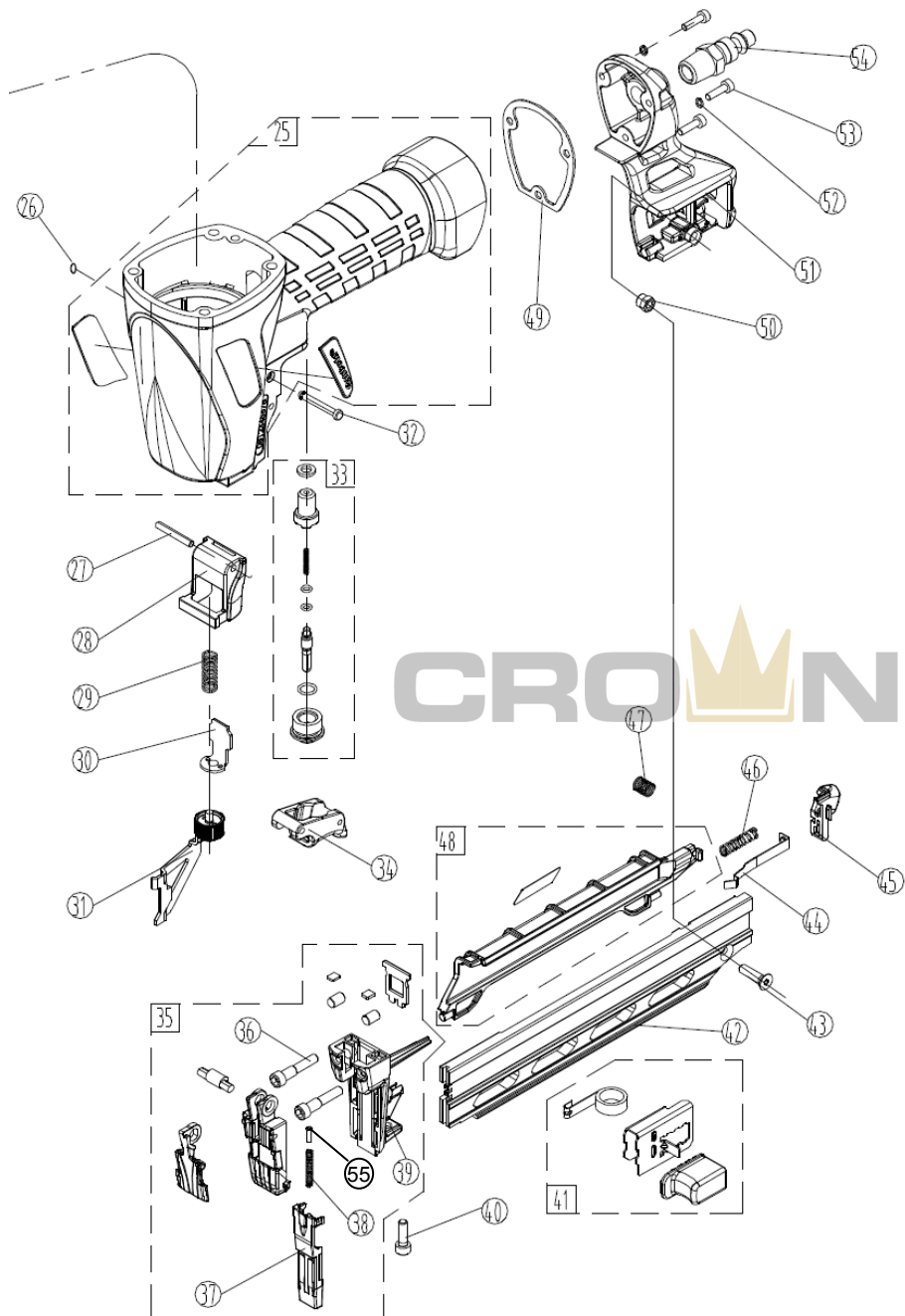
### *Operating Instructions*



D: Betriebsanleitung  
NL: Gebruiksaanwijzing  
F: Manuel d'utilisation  
E: Instrucciones de uso  
P: Manual de Instruções  
I: Istruzioni d'uso  
DK: Brugsanvisning  
S: Bruksanvisning

N: Bruksanvisning  
FIN: Käyttöohjeet  
EST: Kasutusjuhend  
PL: Instrukcja obsługi  
CZ: Návod k obsluze  
H: Használati utasítás  
SLO: Navodila za uporabo  
HR: Upute za rukovanje





No.:	Code:	Name:	No.:	Code:	Name:
1	617539	Screw	31	576148	Safety Braket B
2	617558	Bushing	32	617529	Trigger Pin
3	617504	Exhaust Cover	33	617485	Trigger Valve Unit
4	617533	Screw	34	617501	Trigger Unit Contact
5	617535	Washer	35	576149	Nose Unit
6	576142	Cylinder Cap	36	576151	Screw
7	617550	Gasket	37	576152	Workpiece Contact
8	617548	Seal	38	576154	Spring
9	617519	Spring	39	576155	Nose
10	617521	O-Ring	40	576157	Screw
11	617510	Valve	41	576158	Pusher Unit
12	617527	O-Ring	42	576159	Magazine
13	617507	Piston Stop	43	576160	Screw
14	617552	Restrict Washer	44	576162	Pusher Lock
15	617551	Cylinder Seal	45	576164	Button
16	576143	Piston Unit	46	576165	Spring
17	617523	O-Ring	47	576166	Spring
18	617505	Cylinder	48	576173	Magazine Cover Unit
19	617524	O-Ring	49	617549	Gasket
20	617525	O-Ring	50	576167	Nut
21	617503	Restrict Washer	51	576168	End Cap
22	617522	O-Ring	52	617534	Washer
23	617506	Bumper	53	576169	Screw
24	576145	Joint Guide	54	617509	Air Plug
25	576146	Body Unit	55	576177	Pin
26	617526	O-Ring	56	576170	Staple Catch Set
27	617537	Spring Pin	57	575850	Sequential Trigger Unit
28	617553	Safety Bracket Guider	58	575849	Model Label Sequential
29	576147	Spring	59	575848	Model Label Contact
30	617498	Safety Braket A			