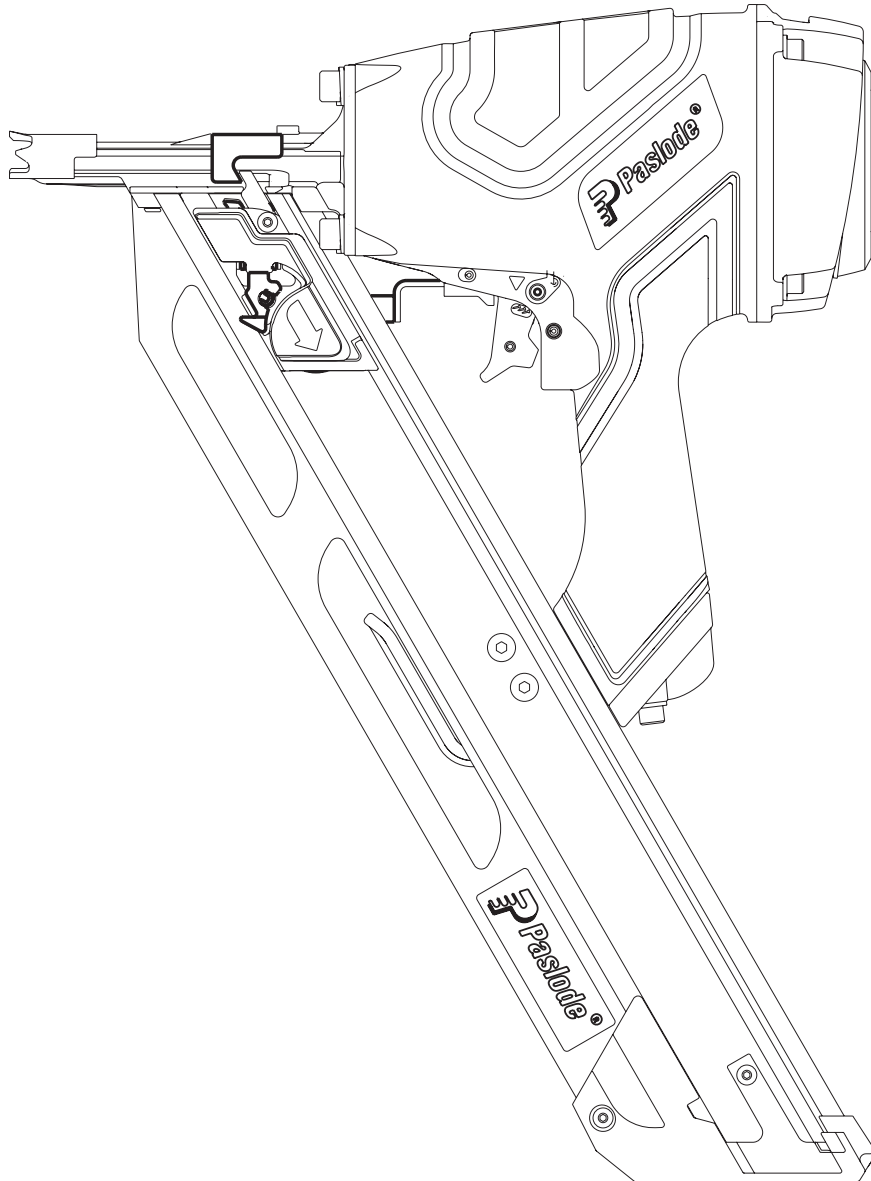




**MODEL PF350-S**  
Strip Nailer



**IMPORTANT!**

**DO NOT DESTROY**

It is the customer's responsibility to have all operators and service personnel read and understand this manual.

**OPERATING MANUAL AND  
SCHEMATIC**

# INTRODUCTION

The **PASLODE® PF350-S** strip nailer is a quality-built tool designed for use in residential framing applications. This tool will deliver efficient, dependable performance when used according to the manufactures guidelines. Please study this manual including the safety instructions to fully understand the operation of this tool.

<b>TOOL AND FASTENER SPECIFICATIONS</b> .....	3
<b>SAFETY INSTRUCTIONS</b> .....	4
<b>TOOL INSTALLATION AND OPERATION</b> .....	5-6
<b>AIR SYSTEMS</b> .....	7-8
<b>FEATURES AND BENEFITS</b> .....	9
<b>EXPLODED VIEW AND SPARE PARTS LIST</b> .....	10-11
<b>MAINTENANCE</b> .....	12-13
<b>TROUBLESHOOTING</b> .....	14
<b>WARRANTY</b> .....	15
<b>ACCESSORIES</b> .....	16

## TOOL AND FASTENER SPECIFICATIONS

### TOOL SPECIFICATIONS

MODEL NO.	PF350-S (Part# 502000)
HEIGHT	13"
WIDTH	5"
LENGTH	18"
WEIGHT	7 lbs. 8oz.
OPERATING PRESSURE	80 to 120 p.s.i. (5.5 to 8.3 bars)

### FASTENER SPECIFICATIONS

NAIL LENGTH	2" -3-1/2"
SHANK DIAMETER	.113 - .131

### TOOL AIR FITTINGS:

This tool uses a 3/8" N.P.T. male plug. The fitting **must** be capable of discharging tool air pressure when disconnected from the air supply.

### OPERATING AIR PRESSURE:

80 to 120 p.s.i. (5.5 to 8.3 bars). Select the operating air pressure within this range for best tool performance.

**DO NOT EXCEED THIS RECOMMENDED OPERATING PRESSURE.**

# SAFETY INSTRUCTIONS

## SAFETY FIRST

These safety instructions provide information necessary for safe operation of Paslode® tools. **DO NOT ATTEMPT TO OPERATE THE TOOL UNTIL YOU READ AND UNDERSTAND ALL SAFETY PRECAUTIONS AND MANUAL INSTRUCTIONS.**



### WEAR EYE AND HEARING PROTECTION

Always wear hearing and eye protection devices, that conform to ANSI Z87.1 requirements, when operating or working in the vicinity of a tool. As an employer you are responsible for enforcing the use of eye protection. Wear hard hats in environments that require their use.

### THE TOOL MUST BE USED ONLY FOR THE PURPOSE FOR WHICH IT WAS DESIGNED

Do not throw the tool on the floor, strike the housing in any way or use the tool as a hammer to knock material into place.

### NEVER ENGAGE IN HORSEPLAY WITH THE TOOL

The tool is not a toy so do not use it like one. Never engage in horseplay with the tool or point it at yourself or any other person, even if you think it is not loaded.

### NEVER ASSUME THE TOOL IS EMPTY

Check the magazine for fasteners that may be left in the tool. Even if you think the tool is empty or disconnected, never point it at anyone or yourself. Unseen fasteners could fire from the tool.

### NEVER CLAMP THE TRIGGER IN A LOCKED OR OPERATING POSITION

The trigger of the tool must never be tampered with, disabled or clamped in a locked or operating position since this will cause the tool to drive a fastener any time the work contacting element depressed.

### DO NOT LOAD FASTENERS WITH THE AIR LINE CONNECTED, OR WITH THE TOOL TRIGGER OR WORK CONTACTING ELEMENT DEPRESSED

When loading fasteners into the tool be sure you disconnect the air line and that you do not depress the trigger or work contacting element.



### OPERATE THE TOOL ONLY ON A WORKPIECE

The tool should be operated only when it is in contact with the workpiece. Even then you should be careful when fastening thin material or working near the edges and corners of the workpiece since the fasteners may drive through or away from the workpiece.

### DO NOT DISABLE OR REMOVE THE WORK CONTACTING ELEMENT

This tool is equipped with a safety mechanism, called a work contacting element, to help prevent accidental firing. Never tamper with, disable or remove the work contacting element. Do not use the tool unless the work contacting element is working properly. The tool could fire unexpectedly.



### CARRY THE TOOL ONLY BY THE HANDLE

Always carry the tool by the handle only. Never carry the tool by the air hose or with the trigger depressed since you could drive a fastener unintentionally and injure yourself or someone else.

### DO NOT WEAKEN THE TOOL HOUSING

The tool housing is a pressure vessel and should never be weakened by having your company's name, area of work or anything else stamped or engraved into its surface.

### DISCONNECT THE TOOL WHEN PERFORMING REPAIRS AND CLEARING JAMS

Never attempt to clear a jam or repair a tool unless you have disconnected the tool from the air line and removed all remaining fasteners from the tool.

### ALWAYS USE THE PROPER FITTING FOR THE TOOL

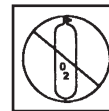
Only MALE pneumatic type air connectors should be fitted to the tool, so that high pressure air in the tool is vented to atmosphere as soon as the air line is disconnected.

NEVER install FEMALE quick disconnect couplings on the tool. Female couplings will trap high pressure air in the tool when the air line is disconnected, leaving the tool charged and able to drive at least one fastener.



### DO NOT EXCEED THE MAXIMUM RECOMMENDED AIR PRESSURE

Operate the tool only at the recommended air pressure. Do not exceed the maximum air pressure marked on the tool. Be sure the air pressure gauge is operating properly and check it at least twice a day.



Never use any bottled air or gases such as oxygen to operate the tool since they could cause the tool to explode.

### INSPECT TOOL FOR PROPER OPERATION

Clean the tool at least daily and lubricate as required. Never operate a dirty or malfunctioning tool.

### USE ONLY PASLODE RECOMMENDED PARTS AND FASTENERS

Use only parts and fasteners specifically designed and recommended by Paslode for use in the tool and for work to be done. Using unauthorized parts and fasteners or modifying the tool in any way creates dangerous situations. Replace all missing warning labels---refer to tool schematic for correct placement and part number.

## ⚠ WARNING

Failure to follow any of the above instructions could result in severe personal injury to tool user and bystanders or cause damage to tool and property.

Contact your local Paslode Representative for presentation of Paslode's Safety Awareness Program

## TOOL INSTALLATION



**DANGER**



Air pressure at the tool must never exceed 120 psi.

Your Paslode tool comes ready for immediate use and can be installed by following these steps:

1. **SAFETY** - All tool operators and their immediate supervisors must become familiar with the operator safety instructions before operating the tool. The instructions are on page 4 of this manual.

2. Included with each tool are one copy of this Safety and Maintenance manual and one copy of the Tool Schematic. Keep these publications for future reference. An ownership registration card is also included. This card must be completed and returned to Paslode immediately to register your ownership.

3. The plastic cap in the air inlet of the tool must be removed before the male fitting is installed. The fitting must be a male pneumatic type that discharges the air from the tool when the air line is disconnected.

4. Install a filter/regulator/lubricator unit, with a gauge as close as practical to the tool, preferably within ten feet. Refer to the Air Systems section of this manual for air hose requirements and lengths. In general, no other special installation is required.

5. If the operator is working at a bench or table, it is usually best to run the air line underneath the bench. A small tray under the benchtop can hold the fastener supply and the tool when not in use.

6. If this tool does not work when it is first connected, do not try to make repairs. Call your Paslode representative immediately.

## TOOL OPERATION

### Depth of Drive Adjustment (On tools equipped with this feature)



**WARNING**

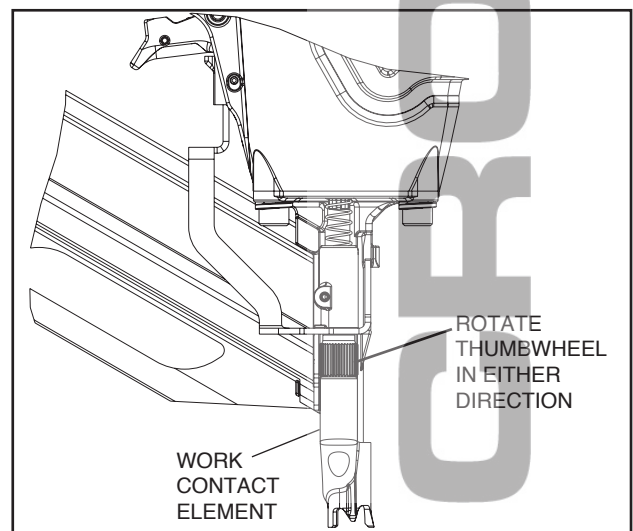


Keep the tool pointed in a safe direction. Disconnect the tool from the air supply and remove all fasteners.

The depth of drive adjustment is made by turning the thumbwheel on the work contact element.

If the tool is overdriving (the fastener head is driven below the work surface), the work contact element should be moved downward. If the fasteners stand up (the head not flush with the surface), the work contact element should be moved up.

Adjust the work contact element until the fastener head depth meets job requirements.

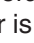



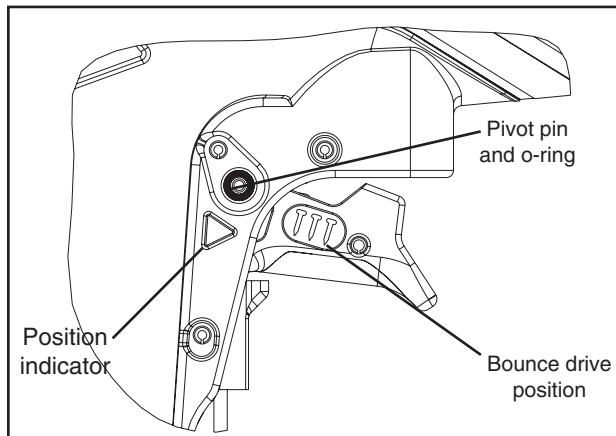
# TOOL OPERATION - continued

## Loading of Nails

- Step 1 - Grasp the handle firmly.
- Step 2 - Insert one or two strips of nails into the rear of the magazine.
- Step 3 - Pull the follower to the rear of the magazine until it is engaged behind the nails.

## Switching the Trigger

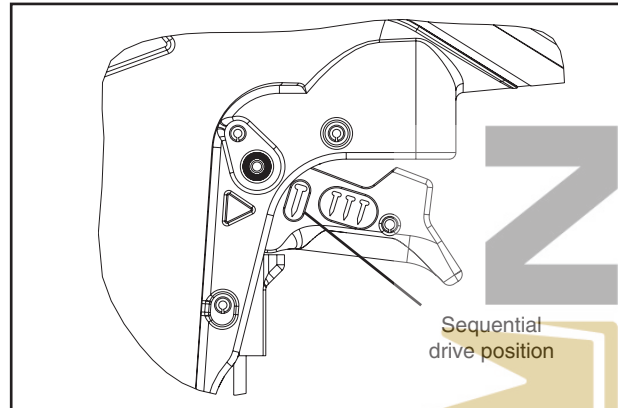
The tool is manufactured with a trigger that can be switched from sequential operation to a bounce drive operation. The trigger is placed in the sequential operating position when the tool was manufactured. To switch the trigger to the bounce operating position, remove the O-ring and trigger pivot pin from the trigger assembly. Move the trigger to the bounce operation position and install the trigger pivot pin and O-ring. The position indicator  on the tool should now be pointing to the  as shown in the illustration.



## Sequential Operation

The sequential operating kit prevents successive or "bounce" driving.

- Depress the work contacting element and hold it against the work surface before pulling the trigger.
- After each fastener is driven, completely release the trigger and lift the tool from the work surface.





## Precision Placement Driving

- Grasp the tool handle firmly and place the bottom of the work contacting element firmly against the workpiece until it is completely depressed.
- Squeeze the trigger to drive the fastener.
- Lift the tool from the workpiece.
- Repeat the procedure for the next fastener.

## Successive (Bounce) Driving

- Grasp the handle firmly.
- Squeeze the trigger and move the tool along the workpiece with a bouncing motion, depressing the work contacting element at the points where you want to insert a fastener.
- Keep the trigger depressed and continue to bounce the work contacting element against the workpiece, positioning the tool above as carefully as possible.
- When the desired number of fasteners have been driven, release the tool trigger to avoid unintentional fastener discharge.

 <b>WARNING</b> 
<b>Do not clamp or hold trigger with anything other than your hand.</b>

# AIR SYSTEMS

For air-powered tools to work their best, the air supply system must be properly installed and maintained regularly. A drawing in this section shows a properly installed air supply system. Handy checklists for installing and maintaining air supply systems follow.

## Indoor Air System Installation

### -Be certain that:

- All pipes supplying air have a large enough inside diameter to ensure adequate air supply.
- The main supply pipe slopes down, away from the compressor (1/16 inch per foot).
- Air storage is provided along lengthy air lines.
- Pipe line branch outlets are at the top of the main pipe line.
- Cutoff valves are provided at each branch pipe line throughout the system.
- Water legs extend from the bottom of each branch line.
- A refrigerant-type dryer is installed on the system.
- Air hoses are kept as short as practical.
- A regular maintenance program is followed.

## Outdoor Air System Installation

### -Be certain that:

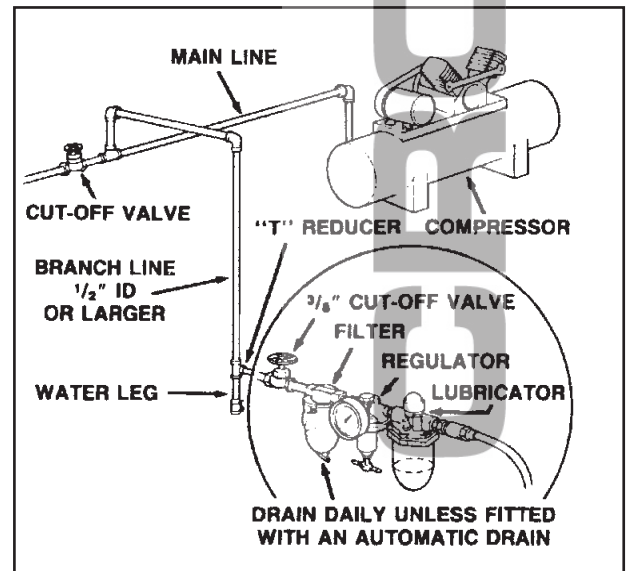
- A moisture trap and a filter/regulator/lubricator are installed at the compressor.
- Air hoses and fittings are large enough so that air flow is not restricted. Minimum hose size is 3/8 inch ID with 1/2 inch ID hose used for any application over 25 feet.

- Air hoses are not longer than 150 feet.
- The air system is lubricated regularly.
- A regular maintenance program is followed.

## Filter/Regulator/Lubricator Units

Filter/regulator/lubricator units that can supply enough air and protection for Paslode tools must meet the following specifications:

- Minimum 3/8 inch NPT port size.
- 50 micron or fine filters.
- Regulated pressure from zero to 120 psi.
- Lubricators designed for low or changing airflow.



## AIR SYSTEMS - Continued

### Calculating Compressor Size

Use the air consumption chart in the Tool Schematic for each tool when calculating the operating requirements for the tools. Paslode tools are designed to operate efficiently between 80 and 120 psi and should never be operated at pressure greater than 120 psi.

The air consumption chart will help you find the correct compressor size for your application that will quickly replenish tool air pressure. To use the chart you will need to know how many tools will be used and approximately how many fasteners will be driven each minute by each tool on the line. Using the equation:

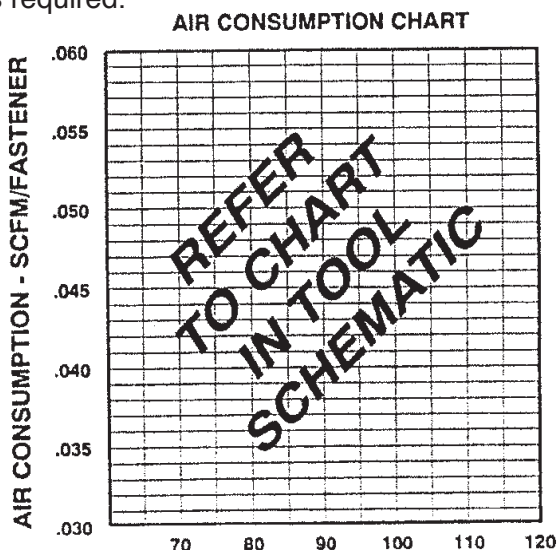
Number of tools X average fasteners/minute/tool X 1.2 (safety factor) X air consumption (scfm) @ pressure\* (psi) = scfm required.

We can use the following example:

10 tools X 30 fasteners/minute/tool X 1.2 X 0.051scfm\* (@100psi) = 18.36 scfm.

\*This number is found in the Air Consumption Chart

In this example, using the air consumption chart we find that a compressor providing at least 19 scfm of air is required. Because in compressors approximately 1 hp is required to produce 4 scfm, a compressor of at least 5 hp is required.



### Calculated Required Piping

For example, given a 20 hp electric compressor supplying approximately 80 cfm of air at 120 psi and a main supply pipe length of 350 feet, we see by the table the minimum main pipe inside diameter required for this application is 1-1/4 inch.

VOLUME OF AIR (CFM)	LENGTH OF RUN (FT.)				
	50-200	290-500	500-1000	1000-2500	2500-5000
	NOMINAL PIPE DIAMETER (IN.)				
30-60	1	1	1¼	1½	1½
60-100	1	1¼	1¼	2	2
100-200	1¼	1½	2	2¼	2½
200-500	2	2½	3	3½	3½
500-1000	2½	3	3½	4	4½

### Pneumatic System Maintenance

#### - Be certain that:

- Pneumatic fittings are tight and do not leak.
- Water legs, filters and air lines are drained daily, and ensure that automatic draining systems are operating correctly.
- Air lines are cleared to prevent freezing, especially in winter.
- Lubricator operation is checked regularly and ensure it has an adequate supply of lubricant. (Paslode Part No. 403720)
- The filter element is cleaned every six months.
- Only regulated air is being used and that each regulator is operating properly.



# PF350-S FEATURES & BENEFITS

## **Tool Less Depth of Drive**

Provides precise control of nail depth without adjusting the compressor. (on other side)

## **Compact Design**

Able to get into tight spots

## **Powerful Motor**

Consistently drives into all engineered lumber.

## **Agressive Work Contact**

Grabs the wood when toe nailing.

## **Lock Out**

Eliminates blank firing.

## **Bypass Follower**

For fast 2-step loading.

## **Rafter Hook**

Conveniently stows the tool.

## **Rear Load Magazine**

Holds 2 strips or 84 nails.

**Metal Exhaust Cap**  
For maximum durability.

## **Light Weight Design**

Easy to maneuver with less arm fatigue.

## **Switchable Trigger**

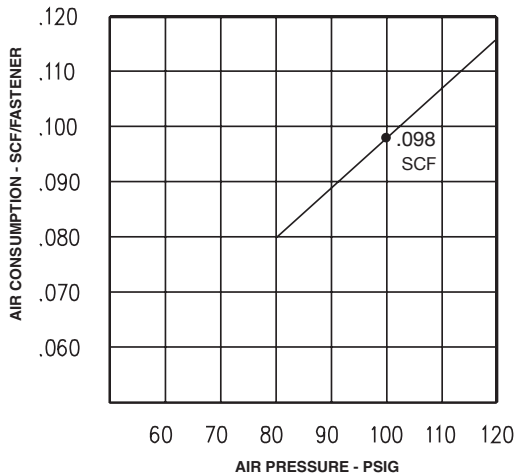
Switches from sequential to bounce fire.

# PARTS LEGEND

# PF350-S, 502000

1	502004	1	Air Deflector	41	502047	1	Lower W.C.E.
* 2	502062	1	Air Deflector Gasket	42	502046	1	Upper W.C.E.
3	501299	4	S.H.C.S. 1/4-20 x 1"	43	502049	1	Detent Ball
4	502003	1	Top Cap	44	502061	1	Detent Spring
* 5	502013	1	Top Cap Gasket	45	404361	1	Roll Pin 1/8" x 1/2"
6	123984	1	Valve Spring	46	502050	1	Detent Body
* 7	502859	1	O-Ring	47	502055	1	W.C.E. Spring
* 8	211664	1	O-Ring	▲ 48	009016	4	S.H.C.S. 5/16-18 x 1" with Patch
9	502434	1	Poppet Assembly	49	095417	4	Lock Washer 5/16
* 10	198028	1	O-Ring	50	502006	1	Nose
11	502032	1	REMOVED	51	502014	2	Magazine Isolator
12	502056	1	Exhaust Seal	* 52	502042	1	O-Ring
● 13	501300	1	S.H.C.S. 1/4-20 x 1-1/4"	* 53	091866	1	Roll Pin 1/8" x 3/4"
* 14	502011	1	Piston Seal	54	502053	1	Dual Mode Trigger
15	502012	1	Piston	55	502040	1	Trip Lever
16	502009	1	Sleeve	56	502060	1	Trigger Spring
17	502010	1	Check Band	* 57	092747	1	O-Ring
■ * 18	501218	1	Driver Blade	58	502035	1	Housing Label Right
* 19	092235	1	O-Ring	59	502043	1	Lower Valve Spool
20	502007	1	Bulkhead	60	502041	1	Trigger Pivot Pin
* 21	401985	1	O-Ring	* 61	1015358	1	O-Ring
* 22	500866	1	Bumper	* 62	196345	1	O-Ring
23	500729	1	Driver Blade Seal	** 63	502192	1	Warning Label
24	502022	1	REMOVED	64	502033	1	W.C.E. Guide Block
25	502807	1	Magazine Assembly	65	502446	1	Valve Pin with O-Rings
26	502019	1	Follower Claw	66	502059	1	Valve Pin Spring
27	502021	1	Lockout Bar	67	502044	1	Upper Valve Spool
→ 28	511118	1	Follower Body	* 68	197913	1	O-Ring
29	502031	2	B.H.C.S. #8-32 x 1/2"	69	502002	1	Housing with Grip
30	502020	1	Follower Spring	70	502914	1	Rafter Hook
* 31	502026	1	Negator Spring	71	502930	1	Rafter Hook Spring
32	502025	1	Drum Pin Assembly	72	502916	1	Rafter Hook Washer
33	403796	3	Roll Pin 1/8" x 1-1/4"	▲ 73	444786	1	S.H.C.S. 1/4-20 x 5/8"
34	502017	2	B.H.C.S. 1/4-20 x 3/4"	74	442681	2	Locknut 1/4-20
35	502058	1	Magazine Logo Label	* 75	417147	1	O-Ring
36	502038	1	B.H.C.S. #8-32 x 1	76	502005	1	Housing End Plug
37	502016	2	REMOVED	77	501300	2	S.H.C.S. 1/4-20 x 1-1/4"
38	502029	1	Magazine End Cap	78	502193	1	Actuation Setting Label
39	502034	1	Housing Label Left	79	502036	1	Thumb Wheel
40	404325	2	Locknut #8-32	80	502723	1	Roll Pin 3/8"x1-1/4"

- \* Denotes Normal Wear Items.
- \*\* Make sure Warning Label (502192) is properly affixed. Replace if necessary. Label available at no charge through the Service Parts Dept.
- ▲ Apply Loctite® 242 (Blue) Part No. 093500
- Apply Loctite® 620 (Green) Part No. 401491
- Apply Loctite® 271 (Red) Part No. 093422
- Denotes New Change



## SAFETY INSTRUCTIONS

### WEAR EYE AND HEARING PROTECTION



Always wear hearing protection and eye protection devices, including side shields when operating or working in the vicinity of a tool.



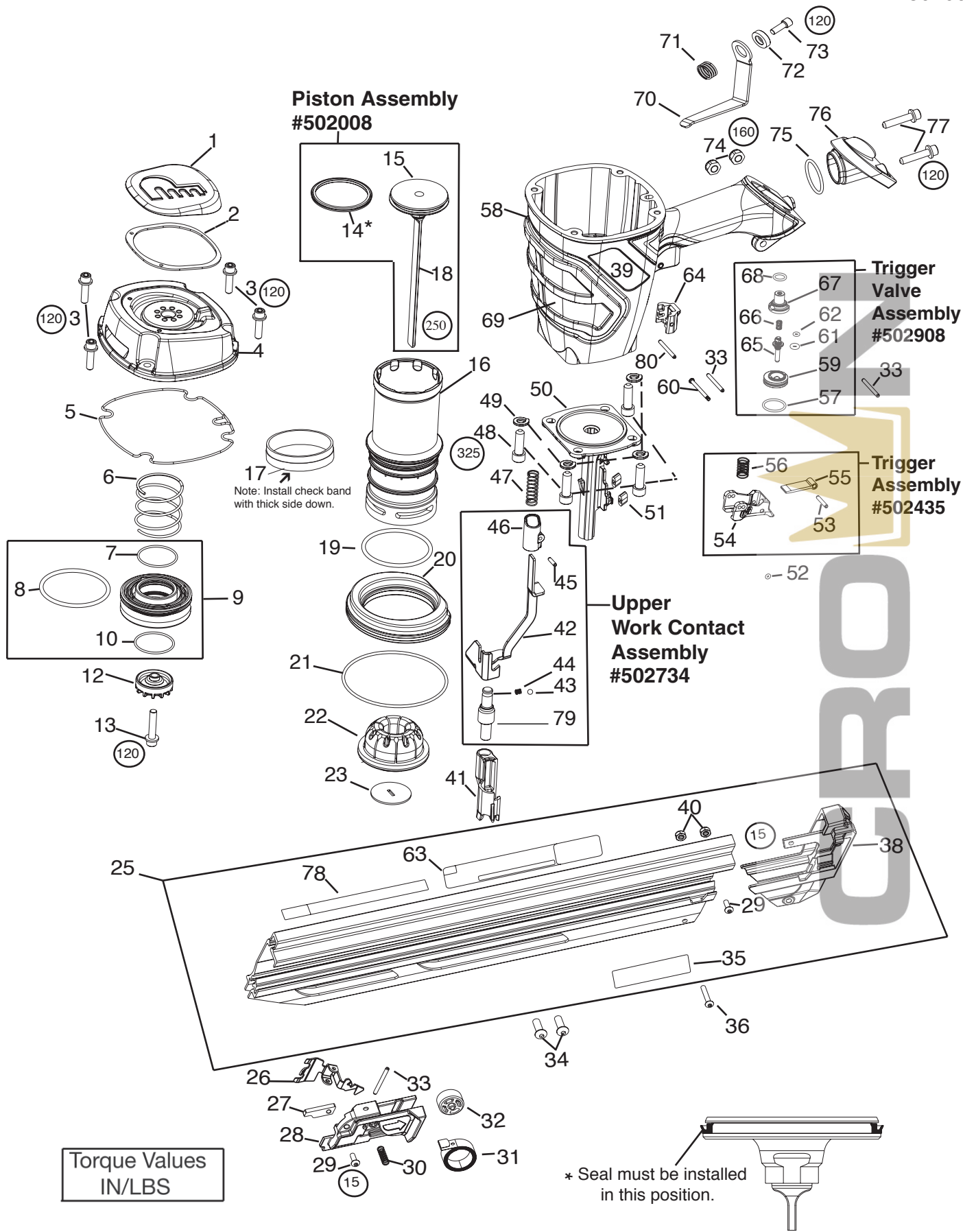
### DO NOT EXCEED MAXIMUM RECOMMENDED AIR PRESSURE



Operate the tool using only the recommended air pressure. Do not exceed the maximum air pressure marked on the tool. Be sure the air pressure gauge is operating properly and check it at least twice a day.



Never use any bottled air or gases such as oxygen to operate the tool since they could cause the tool to explode.



# MAINTENANCE

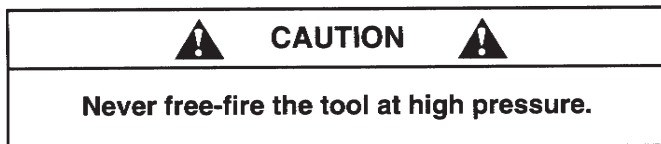
Paslode® tools are built for ease of maintenance. A few simple details will assure trouble-free operation and long tool life. Anyone who uses or maintains the tool must read the safety and maintenance instructions. Study the schematic drawing before starting any repairs on the tool.

Air-operated tools must be inspected periodically, and worn or broken parts must be replaced to keep the tool operating safely and efficiently. Also the items on the maintenance chart must be checked often.

## Cold Weather Care

When temperatures are below freezing, tools should be kept warm by any convenient, safe method. If this is not possible, the following procedure should be used to warm up the tools.

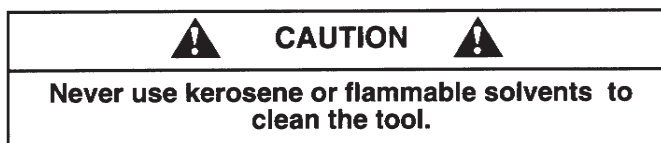
- Reduce the regulated air pressure to 30 psi.
- Remove all fasteners from the tool.
- Collect an air line and blank fire the tool. The reduced air pressure will be enough to free-fire the tool. Slow speed operation tends to warm up the moving parts. Slowing up the piston helps the bumper and the O-rings to become springy.



- Once the tool is warmed up, readjust the regulator to the proper working pressure and reload the tool.
- Tool operators working outdoors or in unheated areas in extremely cold temperatures should also:

Use Paslode pneumatic oil with antifreeze in the lubricator, Part No. 219090 (8oz.)

Once a week, depending on the amount of tool use, take the tool apart and wash away any sludge with tool cleaner (Paslode Part No. 219348) to keep the tool operating efficiently.



Cleaning the air-operated tools with solvents removes the thin coating of grease applied to the cylinder wall and O-rings at the factory. To replace this coating of grease, use Chemplex grease (Paslode Part No. 403734).

- Open the drain on the air compressor tank to drain any moisture at least daily in extremely cold or humid weather. A few ounces of anti-freeze in the tank will keep the air free of frost.

## Testing the Tool After Servicing

After replacing any part or parts, it is important to check the tool for proper operation. This ensures that the tool was put together correctly, is safe to use, and will perform the job properly.

- Ensure that all hardware is tight.
- Ensure that the work contacting element is installed correctly in relation to the trigger, and that both parts move freely.
- Ensure that the magazine is properly attached.
- Ensure that the required safety information on the tool is legible.
- Use only Paslode approved fasteners in the tool, and ensure that they are correct for the application.
- Ensure that a male air fitting is securely connected to the tool.
- Test the tool by driving fasteners into a workpiece identical to the tool's application.
- Check the tool for air leaks during testing and for the proper sequence of operation.
- Ensure that all fasteners are driven to the same depth and that the crown of the fastener is flush with the workpiece.

## Tool Lubrication

It is most important that the tool be properly lubricated by keeping the air line lubricator filled and correctly adjusted. Without proper lubrication the tool will not work properly and parts will wear prematurely.

Use the proper lubricant in the air line lubricator. The lubricator should be of low air flow or changing air flow type, and should be kept filled to the correct level. Use only Paslode recommended lubricants. Substitutes may harm the rubber compounds in the tools O-rings and other rubber parts. Paslode Part No. 403720 is a pneumatic lubricating oil specially made for pneumatic applications. If a filter/regulator/lubricator is not installed on the air system, air operated tools should be lubricated at least once a day with 6 to 20 drops of oil, depending on the work environment, directly through the male fitting in the tool housing.

Most minor problems can be resolved quickly and easily using the maintenance table that follows. If problems persist, contact your Paslode dealer for assistance.

## MAINTENANCE - Continued

 <b>CAUTION</b> 
<b>Disconnect the tool when performing repairs or clearing jams.</b>

### MAINTENANCE TABLE

ACTION	WHY	HOW
Drain air line filter(daily).	Prevent accumulation of moisture and dirt.	Open manual petcock (most air supply systems have such a valve).
Keep lubricator filled.	Keep tool lubricated.	Fill with Paslode pneumatic tool lubricant. Part No. 403720.
Clean filter element-then blow air through filter in direction opposite to normal flow.	Prevent clogging of filter with dirt.	Wash with soap and water or follow manufacturers instructions.
Check that all screws on tool are tight.	Prevent air leakage and promote efficient operation.	Check screws daily.
Keep work contacting element working properly.	Promote operator safety and efficient tool operation.	Blow clean daily.
Keep magazine and feeder mechanism clean.	Prevent jamming of fasteners.	Blow clean daily.
Lubricate "O" rings that are replaced.	Assure long life and proper operation of tool.	Use Chemplex grease, Part No. 403734.
Use only Paslode replacement parts.	Keep tool operating efficiently and maintain Paslode tool warranty.	Order any replacement parts needed from Paslode Dealer.

# OPERATOR TROUBLESHOOTING

 <b>CAUTION</b> 
<b>Disconnect the tool when performing repairs or clearing jams.</b>

PROBLEM	CORRECTIVE ACTION
Fasteners will not drive completely into wood.	Adjust work contacting element (retract length). Increase air pressure (do not exceed 120 psi).
Fasteners penetrate properly during normal operation, but won't drive fully at faster speeds.	Increase air flow to tool -- use larger air lines (3/8 inch ID minimum).
Fasteners drive too deeply into wood.	Adjust work contacting element (extend length). Reduce air pressure.
Tools skips during operation - no fasteners are driven from time to time.	Check magazine for proper fasteners. Magazine follower should slide freely. Clean as needed to remove debris. Make sure correct fasteners are being used. Use fasteners that meet Paslode® specifications only. Increase air flow to tool -- use larger air lines (3/8 ID minimum). Adjust work contacting element where available.
Tool operates, but no fasteners are driven.	Check magazine for proper fasteners. Fasteners should slide freely with no follower pressure. Increase air pressure (do not exceed 120psi).
Air leaks at cap when tool is connected to air.	Tighten cap screws.

# TOOL WARRANTY



An Illinois Tool Works Company  
888 Forest Edge Drive  
Vernon Hills, Illinois 60061

## MODEL PF350S Strip Nailer

### TOOL WARRANTY AND LIMITATIONS

Paslode warrants that newly purchased power fastening tools, parts and accessories will be free from defects in material and workmanship for the period shown below, after the date of delivery to the original user.

#### ONE-YEAR LIMITED WARRANTY

A one-year warranty will apply to all parts, except those which are specifically covered by an extended warranty.

#### FIVE-YEAR EXTENDED LIMITED WARRANTY

A five-year warranty will apply to all housing and cap assembly castings.

#### WARRANTY STATEMENT

**This warranty is limited to tools sold and service requested in the United States. To obtain information on warranty service in the United States, refer to the Service Center listing that was provided with your tool.**

Paslode's sole liability hereunder will be to replace any part or accessory which proves to be defective within the specific time period. Any replacement part or accessory provided in accordance with this warranty will carry a warranty for the balance of the period of warranty applicable to the part it replaces. This warranty does not apply to part replacement required due to normal wear.

This warranty is void as to any tool which has been subjected to misuse, abuse, accidental or intentional damage, use with fasteners, not meeting Paslode specification, size, or quality, improperly maintained, repaired with other than genuine Paslode replacement parts, damaged in transit or handling, or which, in Paslode's opinion, has been altered or repaired in a way that affects or detracts from the performance of the tool.

PASLODE MAKES NO WARRANTY, EXPRESSED OR IMPLIED, RELATING TO MERCHANTABILITY, FITNESS, OR OTHERWISE, EXCEPT AS STATED ABOVE, and Paslode's liability AS STATED ABOVE AND AS ASSUMED ABOVE is in lieu of all other warranties arising out of, or in connection with, the use and performance of the tool, except to the extent otherwise provided by applicable law. PASLODE SHALL IN NO EVENT BE LIABLE FOR ANY DIRECT, INDIRECT, OR CONSEQUENTIAL DAMAGES, INCLUDING, BUT NOT LIMITED TO, DAMAGES WHICH MAY ARISE FROM LOSS OF ANTICIPATED PROFITS OR PRODUCTION, SPOILAGE OF MATERIALS, INCREASED COST OF OPERATION, OR OTHERWISE.

# ACCESSORIES

---

## Lubricants and Loctite

Loctite 242 (Blue)

Lubricating Oil 16 oz.

Lubricating Oil with Antifreeze 8 oz.

Chemplex 710 Lubricant 1lb.



Part No. 093500

Part No. 403720

Part No. 219090

Part No. 403734

---

## Tool Cleaner

Ideal cleaner for all Paslode tools.



Part No. 219348

---

## Safety Glasses

Clear



Part No. 401382

---

## Sequential Only Trigger

Part No. 502253

---

## No Mar Work Contact

Part No. 502234

---

For additional information on Paslode® products, visit our website at [www.paslode.com](http://www.paslode.com).

For technical support call 1-800-222-6990.

To purchase parts and accessories, visit [www.itwconstructionparts.com](http://www.itwconstructionparts.com).



An Illinois Tool Works Company  
888 Forest Edge Drive  
Vernon Hills, Illinois 60061-3105



# ACCESORIOS

## Lubricantes Y Locitite

Locitite 242 (Azul)  
Acetite Lubricante 16 oz.  
Acetite Lubricante 8 oz.  
Lubricante Chemplox 710 1lb.



Pieza No. 093500  
Pieza No. 403720  
Pieza No. 219090  
Pieza No. 403734

## Limpiador

El limpiador ideal para todas las herramientas



Pieza No. 219348

## Lentes de Seguridad

Claros



Pieza No. 401382

## Gatillo de secuencia

Pieza No. 502253

## Contacto de elemento "no-mar"

Pieza No. 502234

Para la información adicional en los productos Paslode® :

Visitan nuestro sitio web en [www.paslode.com](http://www.paslode.com).

Para llamada técnica de apoyo, 1-800-222-6990.

Para comprar las partes y los accesorios, la visita [www.itwconstructionparts.com](http://www.itwconstructionparts.com).



An Illinois Tool Works Company

888 Forest Edge Drive

Vernon Hills, Illinois 60061-3105

PRINTED IN U.S.A.

© 2010, Illinois Tool Works, Inc.



**TERMINOS DE LA GARANTIA**

Paslode asume únicamente la responsabilidad de reponer cualquier pieza o accesorio que se compruebe como defectuoso dentro del periodo especificado. Cualquier pieza o accesorio de repuesto, entregado de conformidad con esta garantía, gozará de la garantía por el periodo restante de la garantía que cubra a la pieza o al accesorio originales. Esta garantía no cubre las piezas que necesitan ser repuestas como consecuencia de su desgaste normal.

Se cancelará esta garantía a cualquier herramienta que haya sido usada incorrectamente, dañada accidental o intencionalmente, usada con sujetadores que no reúnan las especificaciones, el tamaño o la calidad de Paslode, o a la que no se le haya dado el mantenimiento o el uso adecuado, o que haya sido reparada con piezas que no sean marca Paslode, o que en opinión de Paslode hayan sido modificadas o reparadas de manera que afecte o sea contraria al funcionamiento de la herramienta.

PASLODE NO OTORGA NINGUNA GARANTIA EXPLÍCITA O IMPLÍCITA CON RESPECTO A LA COMERCIALIZACION O ADAPTACION AL USO PREVISTO, O DE CUALQUIER OTRA NATURALEZA, CON EXCEPCION DE LO DECLARADO ANTERIORMENTE, Y LA RESPONSABILIDAD DE PASLODE TAL COMO SE INDICA Y SE ASUME MAS ARRIBA reemplaza a todas las otras garantías que resulten o estén relacionadas con el uso y funcionamiento de la herramienta, excepto según lo estipulen las leyes pertinentes. PASLODE NO SERA RESPONSABLE EN NINGUN CASO POR NINGUN DAÑO DIRECTO, INDIRECTO O CONSECUENTE INCLUYENDO, PERO SIN LIMITARSE, CUALQUIER DAÑO RESULTADO DE LA PERDIDA DE PRODUCTO O GANANCIAS ANTICIPADAS, EL DETERIORO DE MATERIALES, AUMENTOS EN EL COSTO DE OPERACION O CUALQUIER OTRO.

Paslode garantiza que sus herramientas mecánicas, sus piezas y accesorios, que hayan sido comprados nuevos, están libres de defectos de material y fabricación por el periodo indicado más abajo, a partir de la fecha de compra del comprador original.

**GARANTIA LIMITADA DE UN AÑO**

La garantía limitada de un año cubre todas las piezas, con excepción de aquellas cubiertas por la extensión de garantía.


**GARANTIA LIMITADA ADICIONAL DE CINCO AÑOS**

La garantía de cinco años cubre todos los armazones y ensamblajes de las tapas.

**DECLARACION DE LA GARANTIA**

**Esta garantía esta limitada a las herramientas vendidas y revisadas en los Estados Unidos. Para obtener mas información sobre el servicio de garantía en los Estados Unido, véa la lista de Centros de Servicio que fue proporcionada con su herramienta.**

## DETECCION Y CORRECCION DE FALLAS

**PRECAUCIÓN**  **DESCONECTE LA HERRAMIENTA AL HACER CUALQUIER REPARACIÓN O ELIMINAR CUALQUIER OBSTRUCCIÓN.**

SOLUCIÓN	PROBLEMA
<p>Cambie la posición del elemento de contacto (Retraiga la longitud). Aumente la presión de aire (no debe exceder 120 psi).</p>	<p>Los sujetadores no penetran completamente en la madera.</p>
<p>Aumente el flujo de aire a la herramienta; use líneas de aire más grandes (3/8" de diámetro como mínimo).</p>	<p>Los sujetadores penetran bien durante las operaciones normales, pero fallan a velocidades más altas.</p>
<p>Cambie la posición del elemento de contacto (Extienda la longitud). Reduzca la presión de aire.</p>	<p>Los sujetadores penetran demasiado en la madera.</p>
<p>Abra el seguro delantero, quite el sujetador obstruido y cierre bien el seguro.</p>	<p>Los sujetadores se acumulan en la punta de la herramienta.</p>
<p>Limpielo para quitar cualquier suciedad. Compruebe si el cargador tiene los sujetadores apropiados. Use solamente sujetadores que reúnan las especificaciones de Paslode. Aumente el flujo de aire a la herramienta; use líneas de aire más grandes (3/8" de diámetro como mínimo). Ajuste el elemento de contacto donde sea posible.</p>	<p>La herramienta "salta" mientras está funcionando; de vez en cuando no impulsa sujetadores.</p>
<p>Compruebe si el cargador tiene los sujetadores apropiados. Los sujetadores deben deslizarse libremente sin presión del transportador. Abra el seguro delantero o afloje el botón del cargador y revise si hay suciedad o alguna obstrucción en el área de la punta. Limpiela si es necesario. Aumente la presión de aire (no debe exceder 120 psi).</p>	<p>La herramienta funciona, pero no dispara sujetadores.</p>
<p>Apriete los tornillos.</p>	<p>Hay pérdidas de aire en la cubierta cuando la herramienta está conectada a la línea de aire.</p>

**PRECAUCIÓN**  
 Desconecte la herramienta al hacer cualquier reparación o eliminar cualquier obstrucción.

**TABLA DE MANTENIMIENTO**

ACTIVIDAD	POR QUE	COMO
Drene el filtro de la línea de aire a diario.	Para evitar que se acumulen la humedad y la suciedad.	Abra la llave de escape. (La mayoría de los sistemas neumáticos la tienen.)
Mantenga lleno el lubricador.	Para mantener lubricada la herramienta.	Llene con lubricante neumático N° 403720 (474 ml).
Limpie el elemento del filtro; luego, sople aire a través del filtro en la dirección opuesta a la corriente normal.	Para evitar que la suciedad obstruya el filtro.	Lave con agua y jabón, o siga las instrucciones del fabricante.
Verifique que todos los tornillos de la herramienta estén apretados.	Para evitar pérdidas de aire y asegurar el buen funcionamiento de la herramienta.	Revise los tornillos a diario.
Revise si el elemento de contacto funciona correctamente.	Para promover la seguridad del operador y el buen funcionamiento de la herramienta.	Limpie el elemento con aire a diario.
Mantenga limpios los mecanismos del cargador y del alimentador.	Para prevenir que se obstruyan los sujetadores.	Limpie los con aire a diario.
Lubrique los anillos-o que se hayan reemplazado.	Para prolongar la vida de la herramienta y su funcionamiento adecuado.	Use grasa lubricante Chemplex N° 403734.
Use solamente piezas de repuesto Paslode.	Para que la herramienta continúe funcionando eficientemente y mantener vigente la garantía de Paslode.	Solicite al representante de Paslode cualquier pieza de repuesto que necesite.

El mantenimiento de cualquier herramienta Paslode es simple. Su funcionamiento sin problemas y la prolongación de la vida de la herramienta se logran siguiendo un sencillo procedimiento. Las personas encargadas de usar y mantener la herramienta deben leer las instrucciones de seguridad y mantenimiento. Estudie los diagramas antes de hacer cualquier reparación.

Las herramientas neumáticas deben revisarse periódicamente, y se deben cambiar las piezas gastadas o deterioradas para que la herramienta siga funcionando con eficiencia y sin peligro. Además, se debe revisar la tabla de mantenimiento frecuentemente.

## Cuando Hace Mucho Frío

Cuando la temperatura es inferior a la de congelamiento, las herramientas deben mantenerse a la temperatura ambiente por el método más seguro y conveniente. De lo contrario, aconsejamos seguir el siguiente procedimiento para calentar las piezas de la herramienta.

- Disminuya la presión regulada del aire a 30 psi
- Quite todos los sujetadores de la herramienta.
- Conecte una línea de aire y dispare la herramienta para lograrlo. El funcionamiento a poca velocidad tiene la tendencia de calentar las partes móviles.
- Disminuyendo la velocidad del pistón le da cierta elasticidad al amortiguador y los anillos-o-

## Nunca dispare la herramienta sin clavos a alta presión.

- Una vez que la herramienta se haya calentado, ajuste nuevamente el regulador a la presión apropiada para trabajar y cargue de nuevo la herramienta.

Los operadores que trabajen al aire libre o en áreas sin calefacción con temperaturas extremadamente frías también tienen que usar en el lubricador el aceite neumático con anticongelante No. 219090 (8 oz.).

- Una vez por semana, según el uso que le dé a su herramienta, desármela y lávela con el solvente No. 219348, para eliminar cualquier suciedad y asegurar que la herramienta siga funcionando bien.

## Nunca use queroseno ni ningún solvente inflamable para limpiar la herramienta.

Al usar solventes para limpiar herramientas neumáticas destruye la delgada capa de grasa lubricante, que se aplica en la fábrica, de la pared del cilindro y de los anillos-o-. Use grasa Chemplex No. 403734 para reemplazar la capa de grasa lubricante.

## Probar la Herramienta Después de Darle Servicio

- Abra, por lo menos diariamente, el drenaje del tanque del compresor del aire para eliminar cualquier humedad, cuando haga mucho frío o el grado de humedad sea muy alto. Poniendo una pequeña cantidad de descongelante en el tanque evitará que la humedad se congele.

## Lubricación de la Herramienta

- Verifique que ninguna pieza esté floja.
- Compruebe que el elemento de contacto haya sido correctamente instalado en relación con el gatillo y que ambas piezas se muevan libremente.
- Verifique que el cargador esté colocado correctamente.
- Verifique que la información sobre seguridad, que está en la herramienta, sea legible.
- Use solamente sujetadores aprobados por Paslode y compruebe que sean los apropiados para su aplicación.
- Verifique que se haya conectado firmemente un adaptador macho a la herramienta.
- Pruebe la herramienta impulsando sujetadores en un material de trabajo idéntico al de la aplicación.
- Verifique que no haya pérdidas de aire en la herramienta durante las pruebas y revise la secuencia apropiada de funcionamiento.
- Asegure que todos los sujetadores sean impulsados a la misma profundidad y que la cabeza del sujetador esté al ras con el material de trabajo.

Es muy importante lubricar la herramienta correctamente, manteniendo lleno el lubricador de la línea de aire y correctamente regulado. Sin la lubricación apropiada, la herramienta no funcionará como es debido y sus piezas se gastarán prematuramente. Use el lubricante apropiado en el lubricador de la línea de aire. El lubricador debe ser para corriente de aire baja o variable, y tiene que estar lleno hasta el nivel apropiado por Paslode porque otros lubricantes podrían dañar el caucho de los anillos-o y otras piezas de caucho. El lubricante No. 403720 (474 ml) es un aceite lubricante especialmente diseñado para aplicaciones neumáticas. Si no se instala un filtro/regulador/lubricador en el sistema neumático, las herramientas neumáticas deben ser lubricadas, por lo menos, diariamente, poniendo entre 6 y 20 gotas de aceite, según sea el tipo de trabajo que se realice, directamente a través del adaptador macho. Usando la siguiente tabla de mantenimiento es posible resolver rápidamente y fácilmente la mayoría de los pequeños problemas. Si un determinado problema persiste, comuníquese con el representante de Paslode.

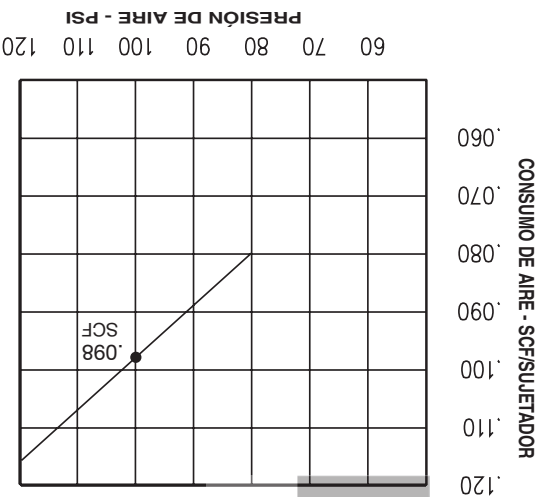


# LISTA DE PIEZAS

# PF350-S, 502000

502004	1	Air Deflector	41	502047	1	Lower W.C.E.
502062	2	Air Deflector Gasket	42	502046	1	Upper W.C.E.
501299	3	S.H.C.S. 1/4-20 x 1"	43	502049	1	Detent Ball
502003	4	Top Cap	44	502061	1	Detent Spring
502013	5	Top Cap Gasket	45	404361	1	Roll Pin 1/8" x 1/2"
123984	6	Valve Spring	46	502050	1	Detent Body
502859	7	O-Ring	47	502055	1	W.C.E. Spring
211664	8	O-Ring	48	009017	4	S.H.C.S. 5/16-18 x 1" with Patch
502434	9	Poppet Assembly	49	095417	4	Lock Washer 5/16
198028	10	O-Ring	50	502006	1	Nose
502032	11	REMOVED	51	502014	2	Magazine Isolator
502056	12	Exhaust Seal	52	502042	1	O-Ring
502057	13	S.H.C.S. 1/4-20 x 1-1/4"	53	091866	1	Roll Pin 1/8" x 3/4"
502011	14	Piston Seal	54	502053	1	Dual Mode Trigger
502012	15	Piston	55	502040	1	Trip Lever
502009	16	Sleeve	56	502060	1	Trigger Spring
502010	17	Check Band	57	092747	1	O-Ring
501218	18	Driver Blade	58	502035	1	Housing Label Right
092235	19	O-Ring	59	502043	1	Lower Valve Spool
502007	20	Bulkhead	60	502041	1	Trigger Pivot Pin
401985	21	O-Ring	61	1015358	1	O-Ring
500866	22	Bumper	62	196345	1	O-Ring
500729	23	Driver Blade Seal	63	502192	1	Warning Label
502022	24	REMOVED	64	502033	1	W.C.E. Guide Block
502019	25	Magazine Assembly	65	502446	1	Valve Pin with O-Rings
502021	26	Follower Claw	66	502059	1	Valve Pin Spring
502021	27	Lockout Bar	67	502044	1	Upper Valve Spool
511118	28	Follower Body	68	197913	1	O-Ring
502031	29	B.H.C.S. #8-32 x 1/2"	69	502002	1	Housing with Grip
502020	30	Follower Spring	70	502914	1	Rafter Hook
502026	31	Negator Spring	71	502930	1	Rafter Hook Spring
502025	32	Drum Pin Assembly	72	502916	1	Rafter Hook Washer
403796	33	Roll Pin 1/8" x 1-1/4"	73	444786	1	S.H.C.S. 1/4-20 x 5/8"
502017	34	B.H.C.S. 1/4-20 x 3/4"	74	442681	2	Locknut 1/4-20
502038	35	Magazine Logo Label	75	417147	1	O-Ring
502038	36	B.H.C.S. #8-32 x 1/8"	76	502005	1	Housing End Plug
502016	37	REMOVED	77	501300	2	S.H.C.S. 1/4-20 x 1-1/4"
502029	38	Magazine End Cap	78	502193	1	Actuation Setting Label
502034	39	Housing Label Left	79	502036	1	Thumb Wheel
404325	40	Locknut #8-32	80	502723	1	Roll Pin 3/8"x1-1/4"

Indica piezas de desgaste normal  
 \* Indica piezas de desgaste normal  
 \*\* Asegure que la Etiqueta de Advertencia (502192) este bien pegada. Reemplaza si es necesario. La etiqueta esta disponible sin costo adicional a traves del Departamento de Servicio.  
 ▲ Aplique Loctite® 242 (Azul) No. de Pieza 093500  
 ■ Aplique Loctite® (Verde) No. de Pieza 401491.  
 ● Aplique Loctite (Rojo) No. de Pieza 093422  
 ↓ Indica un cambio nuevo.



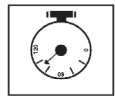
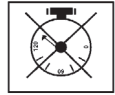
## INSTRUCCIONES DE SEGURIDAD

### USE PROTECCIÓN PARA OJOS Y OÍDOS.



Siempre use protección para oídos y equipo de seguridad para los ojos, incluyendo protectores laterales cuando este manejando o trabajando en los alrededores de una herramienta.

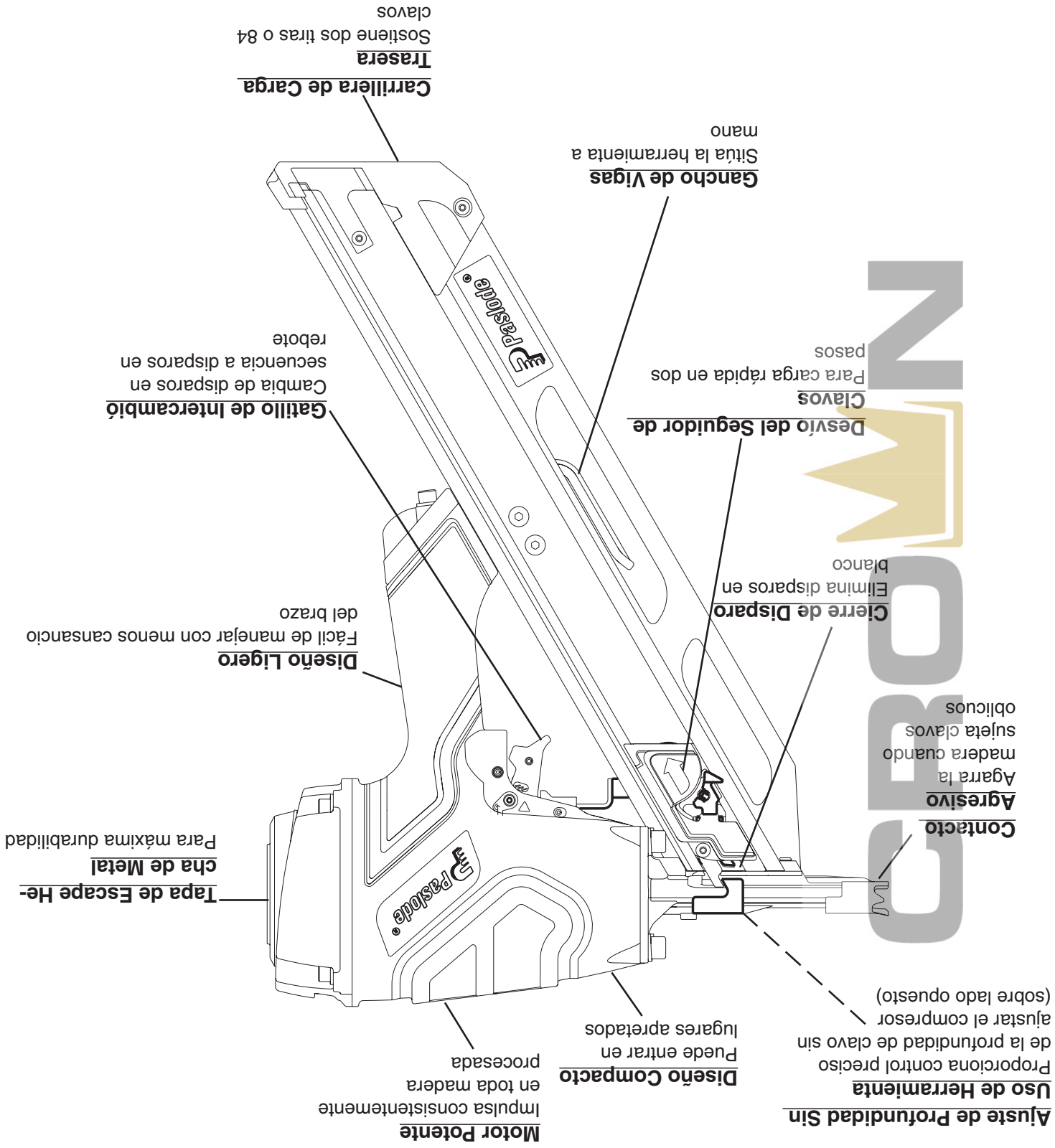
### NO SOBRE PASE LA MÁXIMA PRESIÓN DE AIRE RECOMENDADA



Solo opere la herramienta usando la presión de aire recomendada. No sobre pase la máxima presión de aire marcada sobre la herramienta. Asegure que el indicador de presión de aire este trabajando bien y revise por lo menos dos veces al día.

Nunca use algún aire o gas embotellado tal como el oxígeno para funcionar la herramienta ya que pueden causar que la herramienta explote.

# PF350-S Características y Beneficios





## SISTEMAS NEUMATICOS (continuación)

### Como Calcular el Tamaño del Compresor

Use la tabla de consumo de aire en el esquema de cada herramienta para calcular los requisitos de funcionamiento de las herramientas. Las herramientas Pastode han sido diseñadas para funcionar eficientemente entre 80 y 120 psi, y nunca se deben usar a presiones superiores a 120 psi. La tabla de consumo de aire le permitirá encontrar el tamaño correcto del compresor para reponer rápidamente la presión del aire en su herramienta.

Para usar la tabla necesita saber cuántas herramientas se usarán y aproximadamente cuántos sujetos para aplicar, por minuto, cada herramienta de la línea. Use esta ecuación:

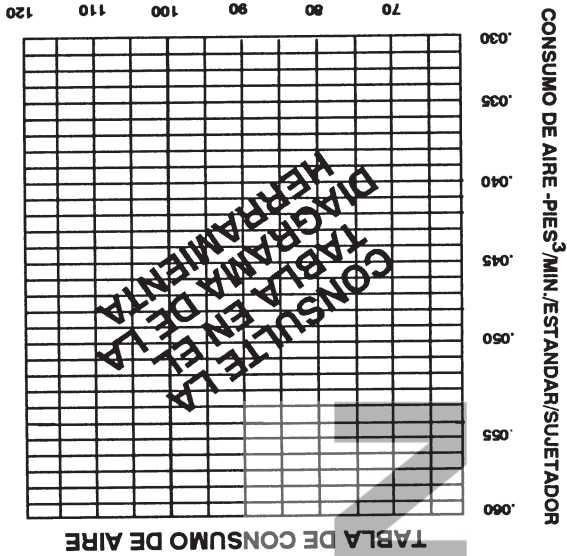
Número de herramientas X promedio de sujetos/segundo/herramienta X 1.2 (factor de seguridad) X consumo de aire (pies<sup>3</sup>/min./estándar) @ presión\* (psi) = pies<sup>3</sup>/min./estándar requeridos

Por ejemplo:

10 herramientas X 30 sujetos/segundo/herramienta X 1.2 X 0.051 pies<sup>3</sup>/min./estándar\* @ 100 psi) = 18.36 pies<sup>3</sup>/min./estándar.

\* Esta cifra aparece en la tabla de Consumo de Aire.

Usando la tabla de consumo de aire, este ejemplo demuestra que se necesita un compresor que proporcione 19 pies<sup>3</sup>/min./estándar de aire, por lo menos. Como en compresores se necesita aproximadamente 1 hp para proporcionar 4 pies<sup>3</sup>/min./estándar, se requiere, por lo menos, un compresor de 5 hp.



**Como Calcular la Tubería Necesaria**  
 For ejemplo, si un compresor eléctrico de 20 hp proporciona aproximadamente 80 pies<sup>3</sup>/min. de aire a 120 psi y la longitud de la línea principal es de 106.70 m, la tabla indica que el diámetro interior de la línea principal necesario para esta aplicación debe ser de 1-1/4 pulgadas como mínimo.

VOLUMEN DEL AIRE (PIES CUBICOS/MIN.)	LONGTUD DE LA LINEA (EN METROS)			
	15-61	61-152	152-305	305-762
500-1000	2 1/2	3	3 1/2	4
200-50	2	2 1/2	3	3 1/2
100-200	1 1/4	1 1/2	2	2 1/4
60-100	1	1 1/4	1 1/4	2
30-60	1	1	1 1/4	1 1/2

Importante: Presión de Aire (80-100 psi)

### Mantenimiento del Sistema Neumático - Asegure Que:

- Los adaptadores neumáticos estén apretados y no haya pérdidas.
- Las columnas de agua, o los filtros y las líneas de aire se drenen diariamente, y que los sistemas de drenaje automáticos funcionen correctamente.
- Las líneas de aire estén limpias para evitar que se congelen, especialmente en invierno.
- El funcionamiento del lubricador se examine periódicamente y que el suministro de lubricante sea adecuado (Pieza N° 403720).
- Se limpie el filtro cada seis meses.
- Solo se use aire regulado y que cada regulador funcione correctamente.

# SISTEMAS NEUMÁTICOS

El sistema neumático debe estar correctamente instalado y recibir mantenimiento periódicamente para que todas las herramientas de potencia neumática funcionen bien. El diagrama de más abajo muestra un sistema neumático correctamente instalado. A continuación se detallan las revisiones necesarias para la instalación y el mantenimiento de los sistemas neumáticos.

## Instalación de Un Sistema Neumático

### para Interiores

#### - Asegure Que:

El diámetro interior de todas las líneas que suministran aire sea bastante grande como para

garantizar un suministro de aire adecuado.

La línea principal tenga una inclinación de (1/16 de pulgada por pie) a partir del compresor.

Existen almacenamiento de aire a lo largo de las líneas muy largas.

Las salidas de aire en las líneas secundarias estén en la parte superior de la línea principal.

Existen válvulas de cierre en cada una de las líneas secundarias de todo el sistema.

Las columnas de agua se extiendan desde el extremo inferior de cada línea secundaria.

Se haya instalado en el sistema un secador tipo refrigerante.

Las mangueras de aire sean tan cortas como sea posible.

Se siga un programa regular de mantenimiento.

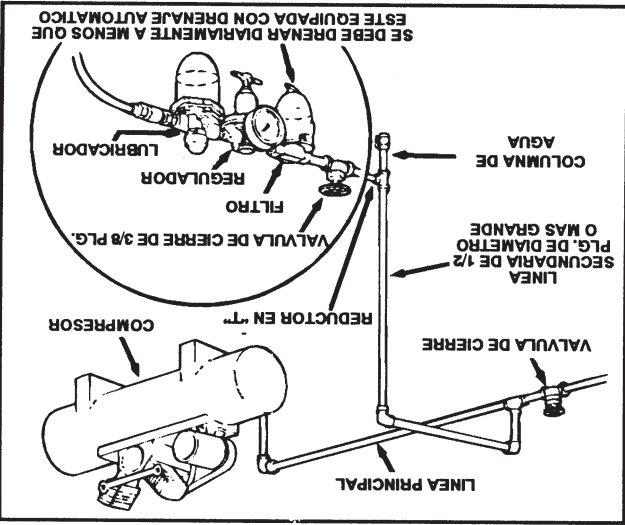
## Instalación de Un Sistema Neumático

### para Exteriores

#### - Asegure Que:

Se hayan instalado en el compresor un colector de humedad y un filtro/regularador/lubricador.

Las mangueras de aire y los adaptadores tengan la longitud suficiente para que el aire circule sin problemas. El diámetro mínimo de una manguera de aire es de 3/8 de pulgada y de 1/2 pulgada para cualquier aplicación de más de 7.60 m.



**Unidades de Filtro/Regularador/Lubricador**  
Las unidades de filtro/regularador/lubricador capaces de proporcionar aire y protección suficientes a las herramientas Paslode deben tener las siguientes características:

- Las mangueras de aire no midan más de 45.70 m de longitud.
- El sistema neumático sea lubricado periódicamente.
- Se siga un programa regular de mantenimiento.

Tamaño mínimo del orificio a presión y temperatura normales de 3/8 de pulgada

Filtros de 50 micrones o más finos

Presión regulada de 0 a 120 psi

Lubricadores diseñados para corriente de aire baja o variable

# FUNCIONAMIENTO DE LA HERRAMIENTA (continuación)

## Sujetadores

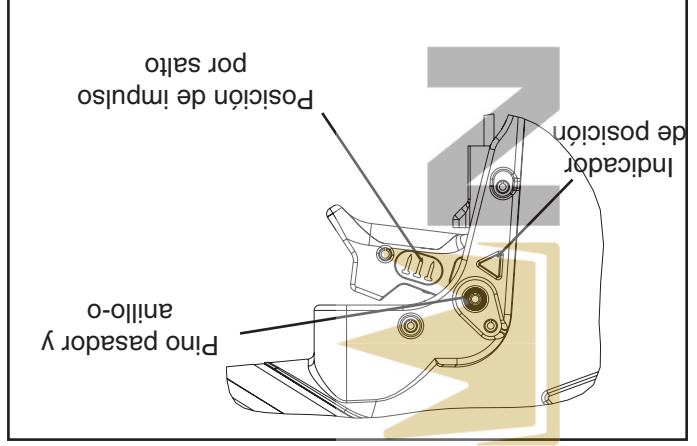
**Paso 1** Tome firmemente el mango.

**Paso 2** Insertar uno o dos tiras de clavos en parte atrás del cargador.

**Paso 3** Hale el seguidor hasta que conecte con la parte trasera del cargador.

## Cambio de gatillo

La herramienta ha sido manufacturada para cambiar del posición secuencial a operación por salto (bounce drive); la posición de manufactura del gatillo es secuencial. Para cambiar el gatillo a la posición de impulso por salto, remover el anillo-o y el pino pasador del sistema de ensamble del gatillo. Mover el gatillo a la posición de salto y coloque el pino pasador y el anillo-o. El indicador de posición en la herramienta debe ahora indicar como se muestra en la ilustración.



**PELIGRO**

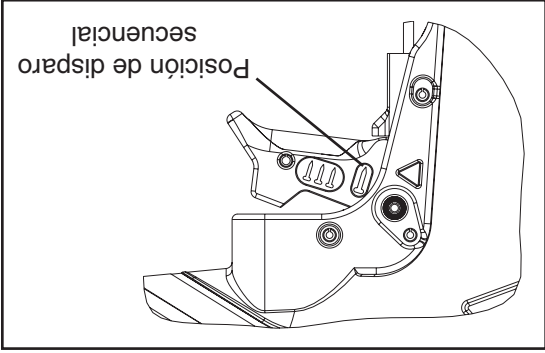
No sujete ni sostenga el gatillo con ninguna otra cosa que no sea la mano.

## Funcionamiento en secuencia

El juego de funcionamiento en secuencia evita los impulsos sucesivos o "de rebote".

- Oprima el elemento de contacto y manténgalo apoyado contra el material de trabajo antes de apretar el gatillo.

- Después de haber impulsado cada sujetador, suelte completamente el gatillo y levante la herramienta del material de trabajo.



## Colocación precisa

- Tome firmemente la herramienta por el mango y sosténgala de modo que el base del elemento de contacto quede bien apoyada en el material de trabajo.
- Apriete el gatillo para disparar el sujetador. Separe la herramienta del material de trabajo.
- Repita el mismo procedimiento con el próximo sujetador.

## Impulsos sucesivos (de rebote)

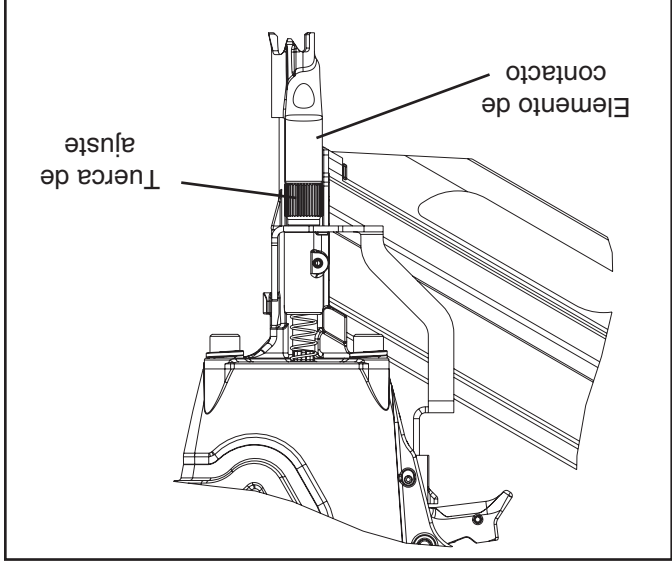
- Tome la herramienta firmemente por el mango.
- Apriete el gatillo y mueva la herramienta a lo largo del material de trabajo con un movimiento de rebote, oprimiendo el elemento de contacto en los lugares donde quiera colocar un sujetador.
- Manteniendo apretado el gatillo, continúe haciendo rebotar el elemento de contacto contra el material de trabajo, colocando cuidadosamente la herramienta.
- Una vez que haya colocado todos los sujetadores necesarios, deje de oprimir el gatillo para evitar que salgan más.

## FUNCIONAMIENTO DE LA HERRAMIENTA



**Regulación de la profundidad de colocación** (en herramientas que tienen esta característica)

**PELIGRO**   **Apunte la herramienta en alguna dirección en la que no haya peligro. Desconéctela de la fuente de aire comprimido y quitele todos los sujetadores.**

La profundidad de colocación se logra regulando la tuerca de ajuste a sea el elemento de contacto. Si la herramienta excede la profundidad deseada (la cabeza del sujetador es impulsada por debajo de la superficie de trabajo), baje el elemento de contacto. Si los sujetadores sobresalen (la cabeza del sujetador no está al mismo nivel que la superficie de trabajo), suba el elemento de contacto. Mueva el elemento de contacto hasta que la cabeza del sujetador quede a la profundidad deseada.



## INSTALACION DE LA HERRAMIENTA

**PELIGRO**   **La presión de aire en la herramienta nunca debe exceder 120 psi.**

Su herramienta Paslode está lista para usarse y se puede instalar siguiendo estos pasos:

**1. SEGURIDAD:** Antes de usar la herramienta, todos los operadores y sus supervisores inmediatos deben familiarizarse con las instrucciones de seguridad de la página 4 de este manual.

2. Con cada herramienta se entrega una copia de este manual. Conserve este manual para cualquier consulta futura. Además, se incluye una tarjeta de registro, que debe llenarse y devolverse inmediatamente a Paslode para que su herramienta quede registrada.

3. Quite la cubierta plástica en la entrada del aire de la herramienta antes de instalar el adaptador macho. Se requiere un adaptador neumático tipo macho, que descargue el aire de la herramienta cuando se desconecte la línea de aire comprimido.

4. Instale una unidad de filtro/regulador/lubricador con un calibre, tan cercano al de la herramienta como sea posible, de preferencia a menos de tres metros. Consulte le sección Sistemas Neumáticos de este manual sobre la longitud y los requisitos de las mangueras de aire comprimido. En general, no se exige ninguna otra instalación especial.

5. Si el operador usa una mesa para trabajar, se aconseja colocar la línea de aire comprimido debajo de la misma. Se puede colocar una pequeña bandeja en la parte inferior de la mesa para guardar los sujetadores y la herramienta cuando no están en uso.

6. Si la herramienta no funciona cuando se conecta por primera vez, no trate de repararla; llame de inmediato al representante de Paslode.

# INSTRUCCIONES DE SEGURIDAD

## LA SEGURIDAD ESTA PRIMERO

Estas instrucciones proporcionan la información necesaria para el funcionamiento sin peligro de las herramientas Paslode. **NO trate de usar su herramienta hasta que no haya leído y entendido todas las precauciones de seguridad y las instrucciones de este manual.**



### PROTEJASE LOS OJOS Y LOS OIDOS

Use siempre el equipo adecuado para protegerse los ojos y los oídos que sea conforme con ANSI Z87, mientras usa una herramienta o trabaja cerca de una herramienta en uso. Como empleador usted es responsable de imponer el uso del la protección de ojo. Lleve sombreros duros en los ambientes que requieren su uso.

### USE SU HERRAMIENTA SOLAMENTE PARA EL

#### PROPOSITO CON QUE FUE DISEÑADA

No arroje la herramienta al suelo; no golpee el armazón ni la use como un martillo.

### NUNCA USE LA HERRAMIENTA PARA JUGUETEAR

Esta herramienta no es un juguete; por lo tanto no la trate como tal. Nunca jueguee con ella; ni se apunte a usted mismo ni a otra persona, aun cuando crea que no está cargada.

### NUNCA ASUMAQUE LA HERRAMIENTA ESTA VACIA

Verifique que no haya sujetadores en el cargador. Aun cuando crea que está vacía o desconectada, nunca se apunte ni a otra persona con la herramienta; porque podría dispararse un sujetador que no esté a la vista.

### NUNCA SUJETE EL GATILLO EN LA POSICION DE

#### CIERRE O DE FUNCIONAMIENTO

Nunca se debe manipular indebidamente o dejar inoperante el gatillo, o sujetador en la posición de cierre o de funcionamiento, porque se podría disparar un sujetador al oprimirse el elemento de contacto.

### NO CARGUE SUJETADORES CUANDO LA LINEA DE

#### AIRE COMPRIMIDO ESTE CONECTADA, O CUANDO

#### EL GATILLO O EL ELEMENTO DE CONTACTO ESTE

#### OPRIMIDO.

Antes de cargar sujetadores en la herramienta, verifique que la línea de aire comprimido esté desconectada y que ni el gatillo ni el elemento de contacto estén oprimidos.

### USE LA HERRAMIENTA SOLAMENTE SOBRE UN MA-

#### TERIAL DE TRABAJO

La herramienta debe funcionar sólo cuando esté en contacto con el material de trabajo. Debe tener mucho cuidado cuando el material sea delgado o trabaje cerca de las aristas del mismo, porque los sujetadores podrían atravesar o salirse del material.

### NO DEJE INOPERANTE NI quite EL ELEMENTO DE

#### CONTACTO

Esta herramienta está equipada con un mecanismo de seguridad, llamado elemento de contacto, para prevenir cualquier disparo accidental. Nunca manipule indebidamente, deje inoperante, ni quite el elemento de contacto. No use la herramienta a menos que dicho elemento funcione correctamente, porque podría producirse un disparo imprevisto.



### DESCONECTE LA HERRAMIENTA CUANDO NO LA

#### ESTE USANDO

Siempre desconecte la herramienta de la línea de aire comprimido cuando no la esté usando o al dejar su lugar de trabajo. Nunca la descuide, porque cualquier persona que no esté familiarizada con ella podría lastimarse o lastimar otros.

### TOME LA HERRAMIENTA SOLAMENTE POR EL

#### MANGO

Siempre tome la herramienta sólo por el mango. Nunca la tome por la manguera o con el gatillo oprimido, porque se podría disparar un sujetador y herir o herir a otra persona.



### NO ALTERE EL ARMAZON DE LA HERRAMIENTA

El armazón de la herramienta es un recipiente a presión y nunca se debe grabar en su superficie el nombre de su compañía, el del área de trabajo, ni ningún otro detalle.

### DESCONECTE LA HERRAMIENTA PARA HACER

#### REPARACIONES O ELIMINAR OBSTRUCCIONES

Nunca trate de eliminar obstrucciones o reparar una herramienta sin haberla desconectado de la línea de aire comprimido y quitado todos los sujetadores.

### USE SIEMPRE LOS ADAPTADORES APROPIADOS

#### PARA SU HERRAMIENTA

Se debe conectar a la herramienta solamente conectores neumáticos MACHOS, para permitir que el aire de alta presión salga tan pronto como se desconecte la línea de aire comprimido.

### NUNCA coloque enlaces HEMBRAS de desconexión rápida en la

#### herramienta, porque atrapan el aire a alta presión al desconectar

#### la línea de aire comprimido, dejándola cargada y lista para disparar

#### por lo menos un sujetador.

### NO EXCEDA LA PRESION NEUMATICA MAXIMA

#### RECOMENDADA

La herramienta debe funcionar sólo con la presión neumática recomendada. No exceda la presión neumática máxima marcada en la herramienta. Verifique por lo menos dos veces al día que el calibre de la presión neumática funcione correctamente.

### Nunca use aire o gases envasados, como el oxígeno, para hacer

#### funcionar la herramienta porque podrían hacer que explotara.

### INSPECCIONE LA HERRAMIENTA PARA LA

#### OPERACION APROPIADA

Limpie diariamente la herramienta y lubríquela como se recomienda. Nunca trate de hacer funcionar una herramienta sucia o defectuosa.

### USE SOLAMENTE PIEZAS Y SUJETADORES

#### RECOMENDADOS POR PASLODE

Use sólo piezas y sujetadores específicamente diseñados y recomendados por Paslode para usar con esa herramienta y para la tarea requerida. Si se usan piezas o sujetadores no autorizados o se modifica de alguna forma la herramienta, se pueden crear situaciones peligrosas. Vuelva a colocar todas las etiquetas de precaución que flaten. Consulte el diagrama de la herramienta sobre el número de cada parte y su ubicación correcta.



La falta de observación de cualquiera de estas instrucciones puede ser causa de graves lesiones personales, tanto al operador de la herramienta como a quienes estén cerca de ella o de daños materiales o a la herramienta.

Comuníquese con el representante de Paslode sobre la presentación de Programa de Alerta sobre Seguridad.

**ESPECIFICACIONES DE LA HERRAMIENTA Y LOS SUJETADORES**

**ESPECIFICACIONES de la HERRAMIENTA**

MODELO NO.	PF350-S (Pieza# 502000)
ALTURA	13"
ANCHO	5"
LARGO	18"
PESO	7 lbs. 8oz.
PRESION de OPERACION	80 hasta 120 p.s.i. (5.5 hasta 8.3 bars)

**ESPECIFICACIONES de los SUJETADORES**

LONGITUD DEL CLAVO	2"-3-1/2"
DIAMETRO	.113 - .131

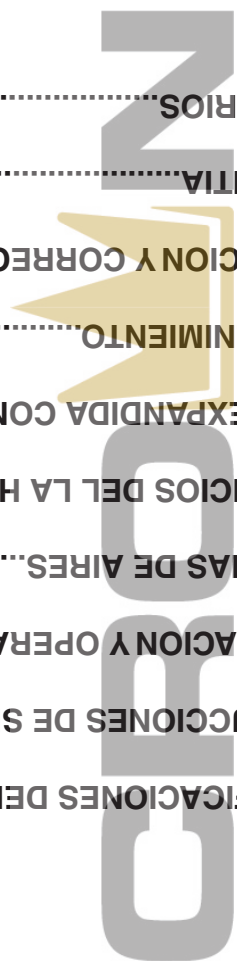
**ACOPLAMIENTO DE AIRE:**

Esta herramienta utiliza un enchufe de 3/8" N.P.T. El acoplamiento debe ser capaz de descargar la presión de aire en la herramienta cuando sea desconectado del suministro de aire.

**OPERACION de PRESION de AIRE:**

80 hasta 120 p.s.i. (5.5 hasta 8.3 bars). Para mejor funcionamiento seleccionar la presión de aire en el rango indicado.

**NO EXCEDA LA PRESIÓN DE AIRE RECOMENDADA**



16..... ACCESORIOS

15..... GARANTIA

14..... DETECCION Y CORRECCION DE FALLAS

12-13..... MANTENIMIENTO

10-11..... VISTA EXPANDIDA CON LISTADO DE PIEZAS

9..... BENEFICIOS DEL LA HERRAMIENTA

7-8..... SISTEMAS DE AIRES

5-6..... INSTALACION Y OPERACION DEL LA HERRAMIENTA

4..... INSTRUCCIONES DE SEGURIDAD

3..... especificaciones del LA HERRAMIENTA Y SUS SUJETADORES

## CONTENIDO

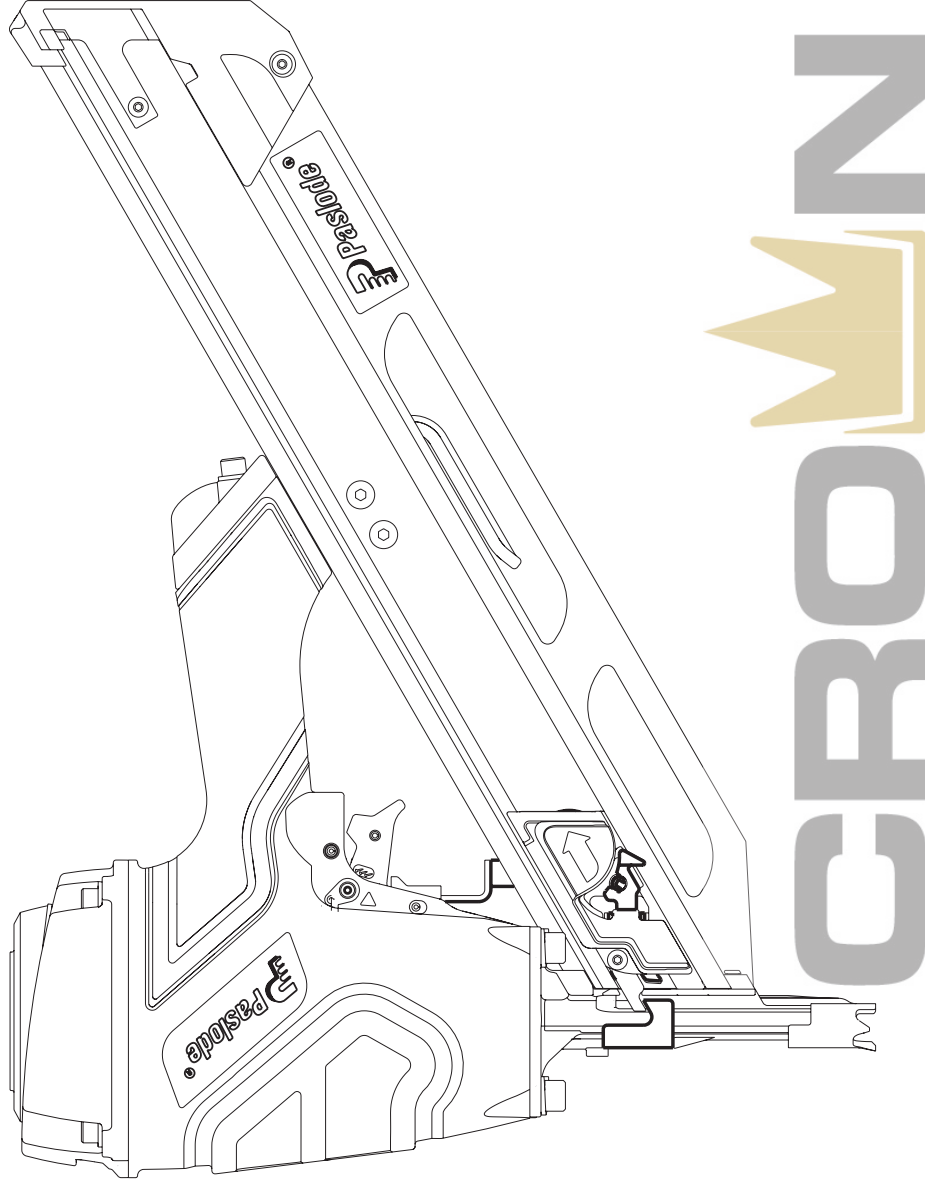
Lea cuidadosamente este manual y las instrucciones de seguridad para comprender como usar le herramienta correctamente.

La herramienta Paslode PF350-S es una herramienta de calidad, diseñada para uso en aplicaciones residencial. Esta herramienta le provera confiabilidad y eficiencia cuando sea usada acorde con las reglas del fabricante.

## INTRODUCCION



**Clavadora Paslode  
Modelo PF350-S**



**Manual de Funcionamiento y  
Esquema**

**¡IMPORTANTE!**  
**NO DESTRUYE ESTE MANUAL**  
El cliente tiene la responsabilidad de que todo el personal de operaciones y servicio lea y entienda este manual.