

ENGLISH

Main Unit Breakdown

Item No.	Product Code No.	Description	Quantity
1	35217422	Kit/Bottomer Guard	1
2	33441107	Nut/Hex 10-24	6
3	33231207	L/Washer Med Spg 194 337	6
4	35213816	Stop/Guard	1
5	33168405	Screw/Truss 10-24 x 1/2	6
6	35213818	Guard/Plexiglas	1
7	33811102	Screw/Shld 1/4 x 1/2	2
8	33214119	Washer/AF 9/32 5/8 x .065	2
9	35211026	Assembly/Head 1-3/8 A	1
9	35211027	Assembly/Head 1-1/4 C	1
10	33912287	Screw/Soc Hd 4MM x 10	4
11	33234206	L/Washer Med Spg 168 296 x 040	4
12	35213411	Arm/Advance Universal	2
13	35213412	Pin /Pivot Arm	1
14	35213358	Washer/Shim	2
15	33950014	Ring E/Ext 12MM (Foot Only)	12
15	33950014	Ring E/Ext 12MM (Pneu. Only)	8
16	35213408	Pivot Assy/Bottomer	1
17	33121504	Screw/Soc Hd 1/4-20 x 3/4	1
18	33211122	Washer/AF 11/32 11/16 x .065	1
19	35213334	Weldment/Side Arm (S.A. Only)	1
20	35211214	Block/Staple Universal	1
21	33919036	Screw/Soc Set 6MM x 10 (S.A. Only)	4
22	33912066	Screw/Soc Hd 8MM x 20 (S.A. Only)	4
23	33922009	L/Washer Med Spg 8MM (S.A. Only)	4
24	33171504	Screw/Soc Set 1/4-20 x 3/8	2
25	35213505	Spacer 5/8 ID x 1-1/2 Lg	1
26	35213336	Link Assembly	2
27	35213335	Pin/Pivot	1
28	35213373	Spacer 5/8 ID x 1/2 Lg (Foot Only)	4
28	35213373	Spacer 5/8 ID x 1/2 Lg (Pneu. Only)	2
29	33921014	Washer/AF 14MM	10
30	35213195	Counterweight (Foot Only)	1
31	35213368	Pin/Pivot (Foot Only)	4
31	35213368	Pin/Pivot (Pneu. Only)	2
32	35213374	Spacer 5/8 ID x 1/4 Lg	2
33	35213394	Weldment Post Frame (Foot Only)	1

FRANÇAIS

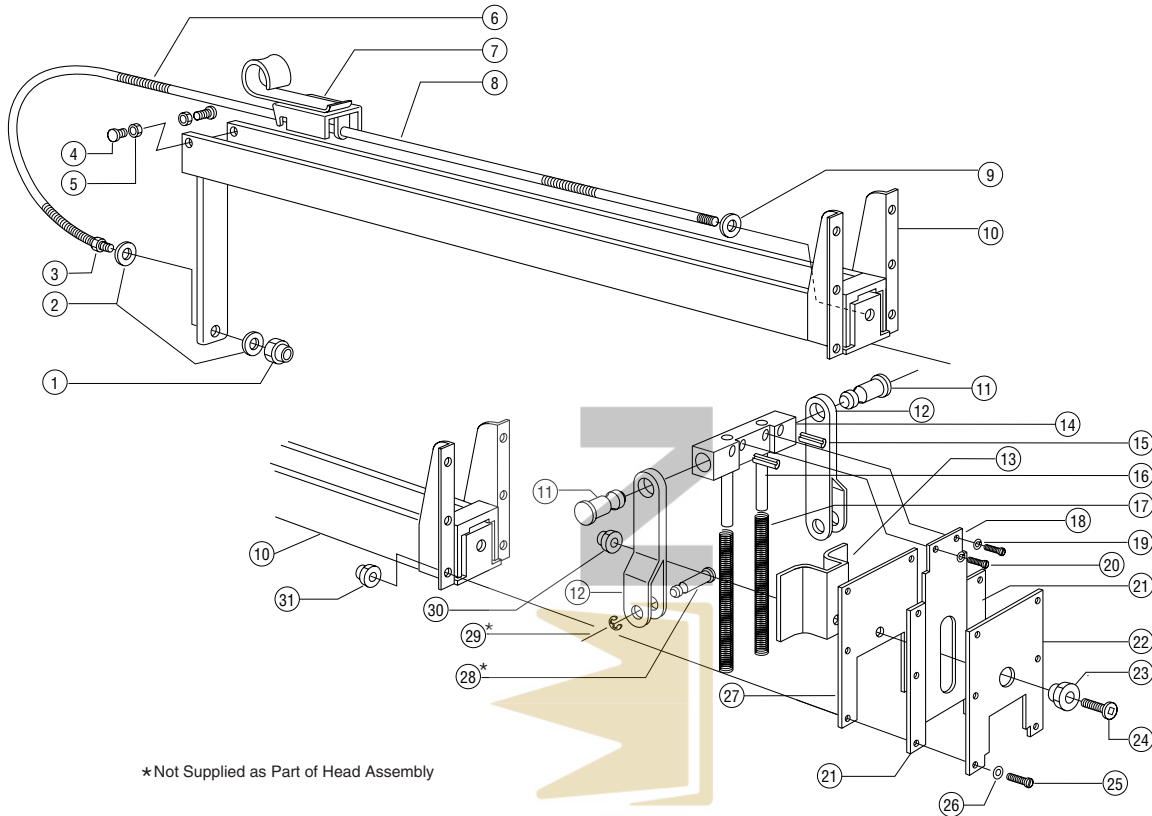
Panne de l'outil proprement dit

Item No.	Product Code No.	Description	Quantity
33	35213131	Weldment Post Frame (Pneu. Only)	1
33	35213382	Weldment/Frame (S.A. Foot Only)	1
33	35213383	Weldment/Frame (S.A. Pneu. Only)	1
34	35213371	Bumper (Foot Only)	1
35	35213375	Spring/Comp 1-3/4 Lg (Foot Only)	1
36	34192028	Kit/Bot Cyl Repair (Pneu. Only)	1
37	34212103	Reducer 3/8 x 1/4 (Pneu. Only)	2
38	33421108	Nut/Jam 3/4-10 (Pneu. Only)	1
39	35223326	Adapter/Cylinder (Pneu. Only)	1
40	33114624	Screw/Soc Hd 5/16-24 x 1/2 (Pneu. Only)	2
41	33231210	L/Washer Med Spg 319 591 (Pneu. Only)	2
42	34148123	L/Nut Fit/Reg (Pneu. Only)	1
43	35221504	Support Fit/Reg (Pneu. Only)	1
44	34148112	Gauge 1/8 MPT (Pneu. Only)	1
45	34147218	Fit/Reg 3/8 Combo (Pneu. Only)	1
46	34212103	Reducer 3/8 x 1/4 (Pneu. Only)	2
47	34223527	Elbow/Push 1/4 x 5/16 Tube (Pneu. Only)	1
48	34123206	Cylinder/Air 2.5 x 3 (Pneu. Only)	1
49	33414102	Nut/Hex 5/16-18	2
50	33231210	L/Washer Med Spg 319 591	2
51	33111606	Screw/Hex Hd 5/16-18 x 1	2
52	33211126	Washer/AF 13/32 13/16 x .065	2
53	35213351	Frame Support	1
54	34900501	Pad/Leveling 5/16-18	3
55	33411102	Nut/Hex 5/16-18	6
56	33211126	Washer/AF 13/32 13/16 x .065	6
57	33231211	L/Washer Med Spg 382 688	6
58	35213397	Pedal Assembly (Foot Only)	1
59	34232107	Tube/Plstc 5/16 x 62 in. (Pneu. Only)	1
60	34223527	Elbow/Push 1/4 x 5/16 Tube (Pneu. Only)	2
61	34116211	Valve Foot 1/4 4 Way (Pneu. Only)	1
62	34223426	Union 1/4 x 5/16 Tube (Pneu. Only)	1
63	34131203	Valve Flow Control 1/4 (Pneu. Only)	1
64	34191043	Kit/Repair Foot 4 Way (Pneu. Only)	2
65	34232107	Tube/Plstc 5/16 x 65 in. (Pneu. Only)	1
66	34232107	Tube/Plstc 5/16 x 60 in. (Pneu. Only)	1

ESPAÑOL

Lista de la Unidad Principal

Description	Quantity
Weldment Post Frame (Pneu. Only)	1
Weldment/Frame (S.A. Foot Only)	1
Weldment/Frame (S.A. Pneu. Only)	1
Bumper (Foot Only)	1
Spring/Comp 1-3/4 Lg (Foot Only)	1
Kit/Bot Cyl Repair (Pneu. Only)	1
Reducer 3/8 x 1/4 (Pneu. Only)	2
Nut/Jam 3/4-10 (Pneu. Only)	1
Adapter/Cylinder (Pneu. Only)	1
Screw/Soc Hd 5/16-24 x 1/2 (Pneu. Only)	2
L/Washer Med Spg 319 591 (Pneu. Only)	2
L/Nut Fit/Reg (Pneu. Only)	1
Support Fit/Reg (Pneu. Only)	1
Gauge 1/8 MPT (Pneu. Only)	1
Fit/Reg 3/8 Combo (Pneu. Only)	1
Reducer 3/8 x 1/4 (Pneu. Only)	2
Elbow/Push 1/4 x 5/16 Tube (Pneu. Only)	1
Cylinder/Air 2.5 x 3 (Pneu. Only)	1
Nut/Hex 5/16-18	2
L/Washer Med Spg 319 591	2
Screw/Hex Hd 5/16-18 x 1	2
Washer/AF 13/32 13/16 x .065	2
Frame Support	1
Pad/Leveling 5/16-18	3
Nut/Hex 5/16-18	6
Washer/AF 13/32 13/16 x .065	6
L/Washer Med Spg 382 688	6
Pedal Assembly (Foot Only)	1
Tube/Plstc 5/16 x 62 in. (Pneu. Only)	1
Elbow/Push 1/4 x 5/16 Tube (Pneu. Only)	2
Valve Foot 1/4 4 Way (Pneu. Only)	1
Union 1/4 x 5/16 Tube (Pneu. Only)	1
Valve Flow Control 1/4 (Pneu. Only)	1
Kit/Repair Foot 4 Way (Pneu. Only)	2
Tube/Plstc 5/16 x 65 in. (Pneu. Only)	1
Tube/Plstc 5/16 x 60 in. (Pneu. Only)	1



*Not Supplied as Part of Head Assembly

Staple Head Breakdown

Panne de la tête de l'agrafeuse

Lista de Grapas de Cabeza

Item No.	Product Code No.	Description
1	33944005	L/Nut Nyl Ins 6MM
2	33921009	Washer/AF 6MM
3	33940017	Nut Reg Hex 6MM
4	35217408	Screw/SOC 4MM x 70MM
5	33944003	L/Nut Nyl Ins 4MM
6	35212130	Spring/Pusher Comp
7	35212126	Assy/Pusher
8	35212129	Rod/Pusher SPL Guide
9	35212131	Washer/Spring
10	35213410	Mag Weldment w/o Plate
11	35211252	Pin/Bottomer Head
12	35211241	Link/Drive
13	35211244	Retainer/Spring Blade
14	35211251	Drive Block Assy.
15	33351353	Pin/Slot SPG 3/16 x 5/8
16	33930345	Pin/SPG 5MM x 50
17	35211230	Spring/Head Return

Item No.	Product Code No.	Description	Quantity
18	35211239	Blade/Drive 1-3/8 A	1
18	35211246	Blade/Drive 1-1/4 C	1
19	33231207	L/Wash Med SPG 194 332	2
20	33121403	Screw/SOC 10-24 x 5/8	2
21	35211140	Guide/Blade 1-3/8 A	2
21	35211142	Guide/Blade 1-1/4 C	2
22	35211139	Plate/Front	1
23	35211245	Spacer/Blade 1-3/8 A	1
23	35211248	Spacer/Blade 1-1/4 C	1
24	33913137	Screw/FHD 5MM x 16	1
25	33912027	Screw/SOC 5MM x 16	6
26	33231207	L/Wash Med SPG 194 337	6
27	35211141	Plate/Rear	1
28	35211229	Pivot/Retainer	2
29	33950009	Ring E/Ext 6MM	2
30	33944004	L/Nut Nyl Ins 5MM	1
31	33944004	L/Nut Nyl Ins 5MM	1

Item No.	Product Code No.	Description	Quantity
18	35211239	Blade/Drive 1-3/8 A	1
18	35211246	Blade/Drive 1-1/4 C	1
19	33231207	L/Wash Med SPG 194 332	2
20	33121403	Screw/SOC 10-24 x 5/8	2
21	35211140	Guide/Blade 1-3/8 A	2
21	35211142	Guide/Blade 1-1/4 C	2
22	35211139	Plate/Front	1
23	35211245	Spacer/Blade 1-3/8 A	1
23	35211248	Spacer/Blade 1-1/4 C	1
24	33913137	Screw/FHD 5MM x 16	1
25	33912027	Screw/SOC 5MM x 16	6
26	33231207	L/Wash Med SPG 194 337	6
27	35211141	Plate/Rear	1
28	35211229	Pivot/Retainer	2
29	33950009	Ring E/Ext 6MM	2
30	33944004	L/Nut Nyl Ins 5MM	1
31	33944004	L/Nut Nyl Ins 5MM	1