

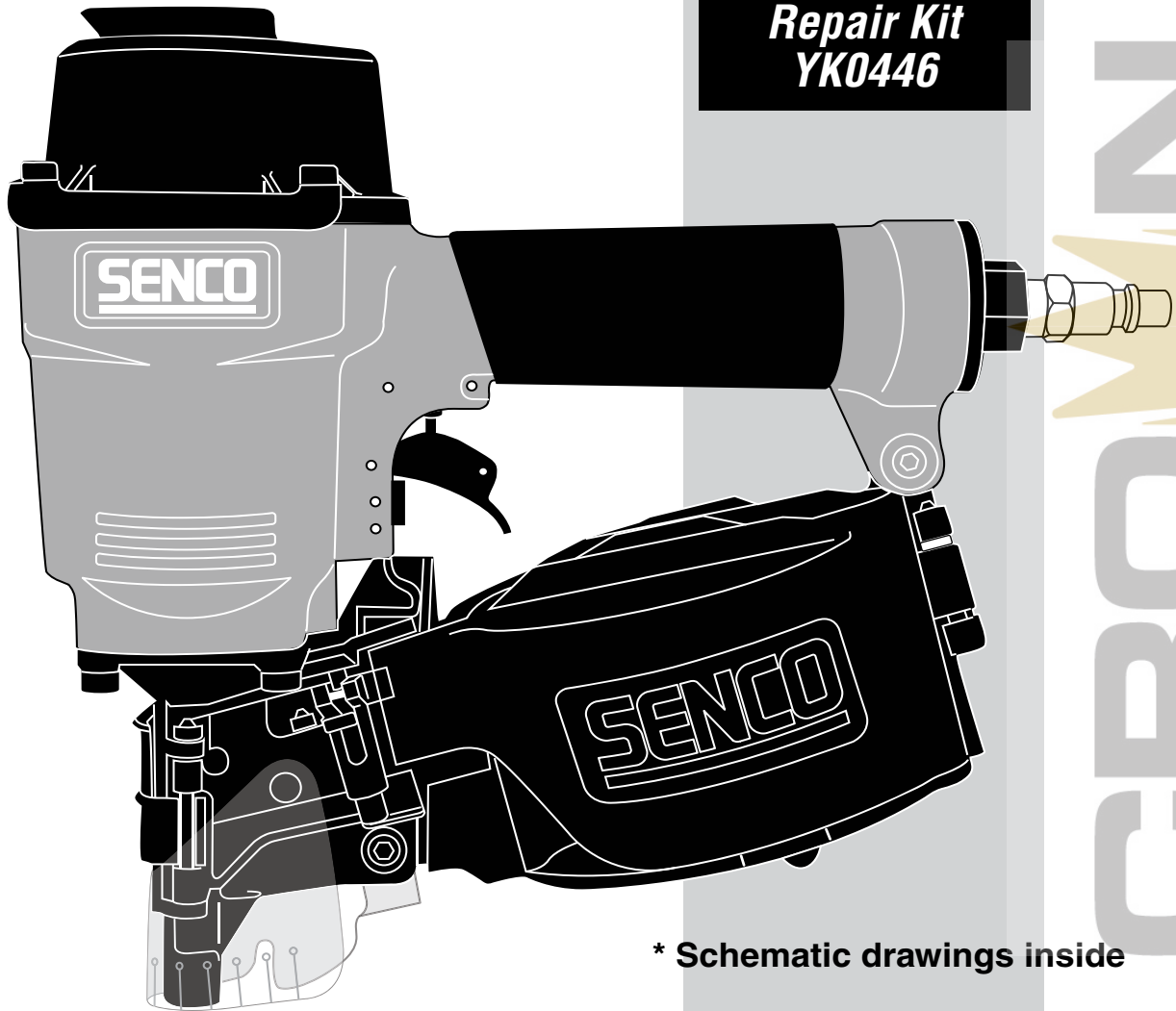
PalletPro™ 57



Parts Reference Guide



**Repair Kit
YK0446**

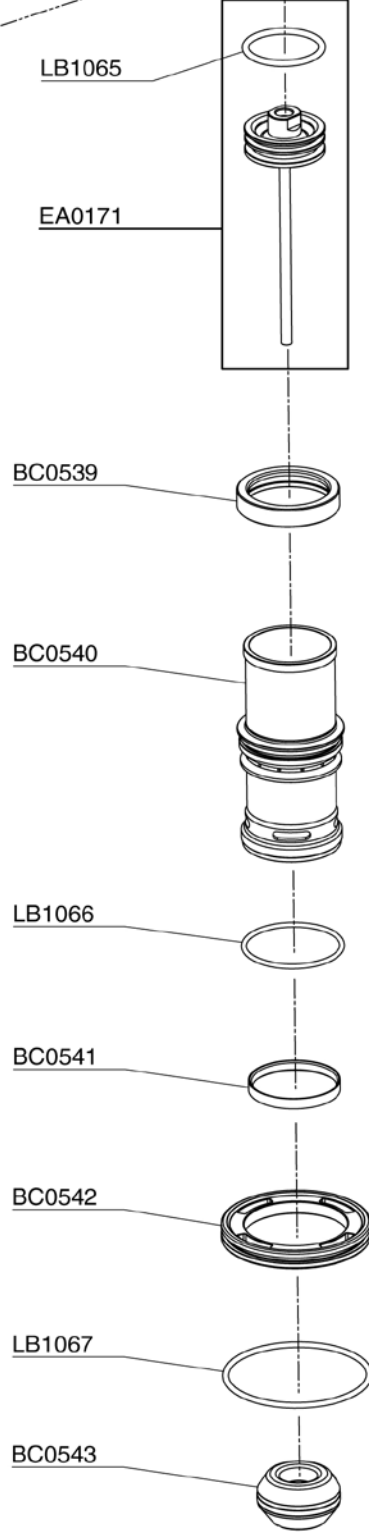
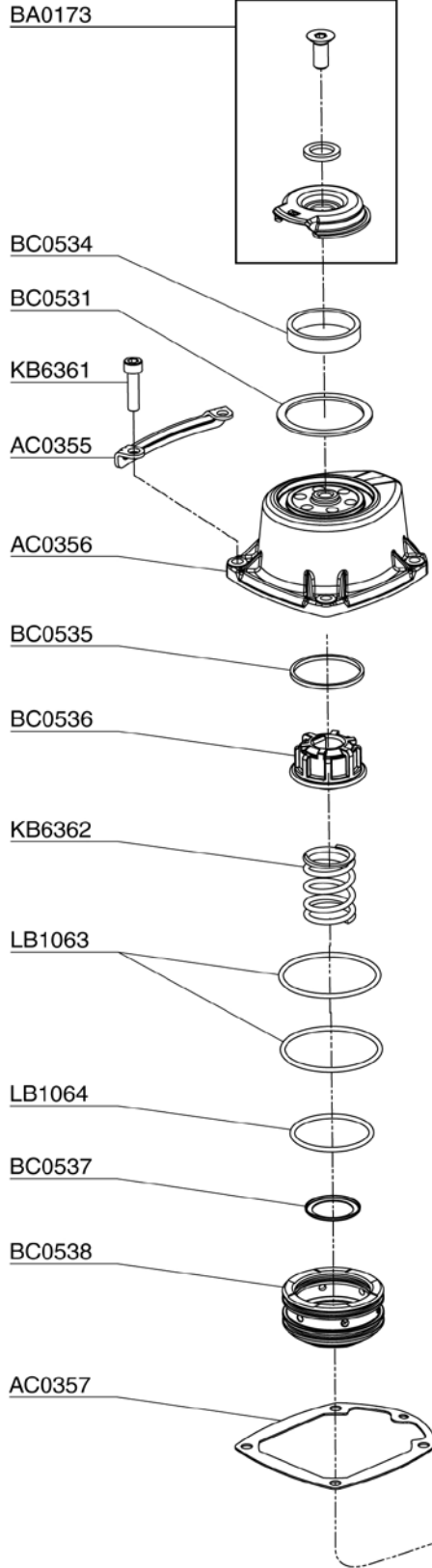


*** Schematic drawings inside**

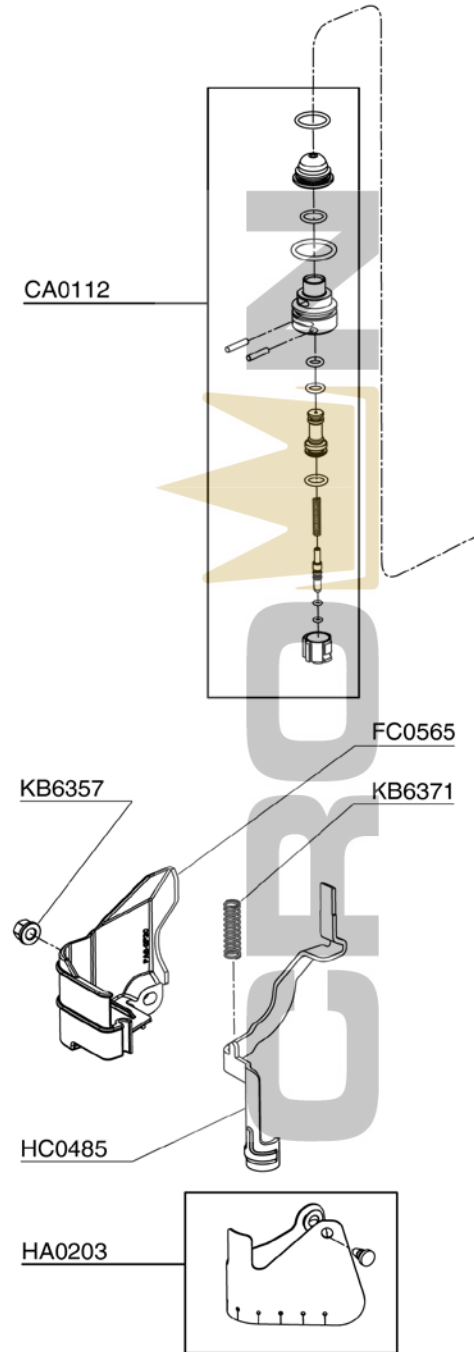
*Senco Products, Inc.
8485 Broadwell Rd.
Cincinnati, Ohio 45244*

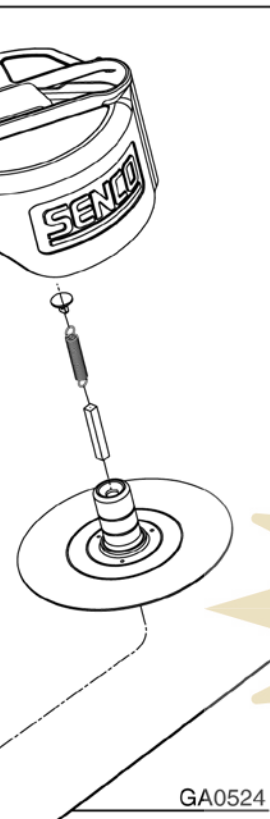
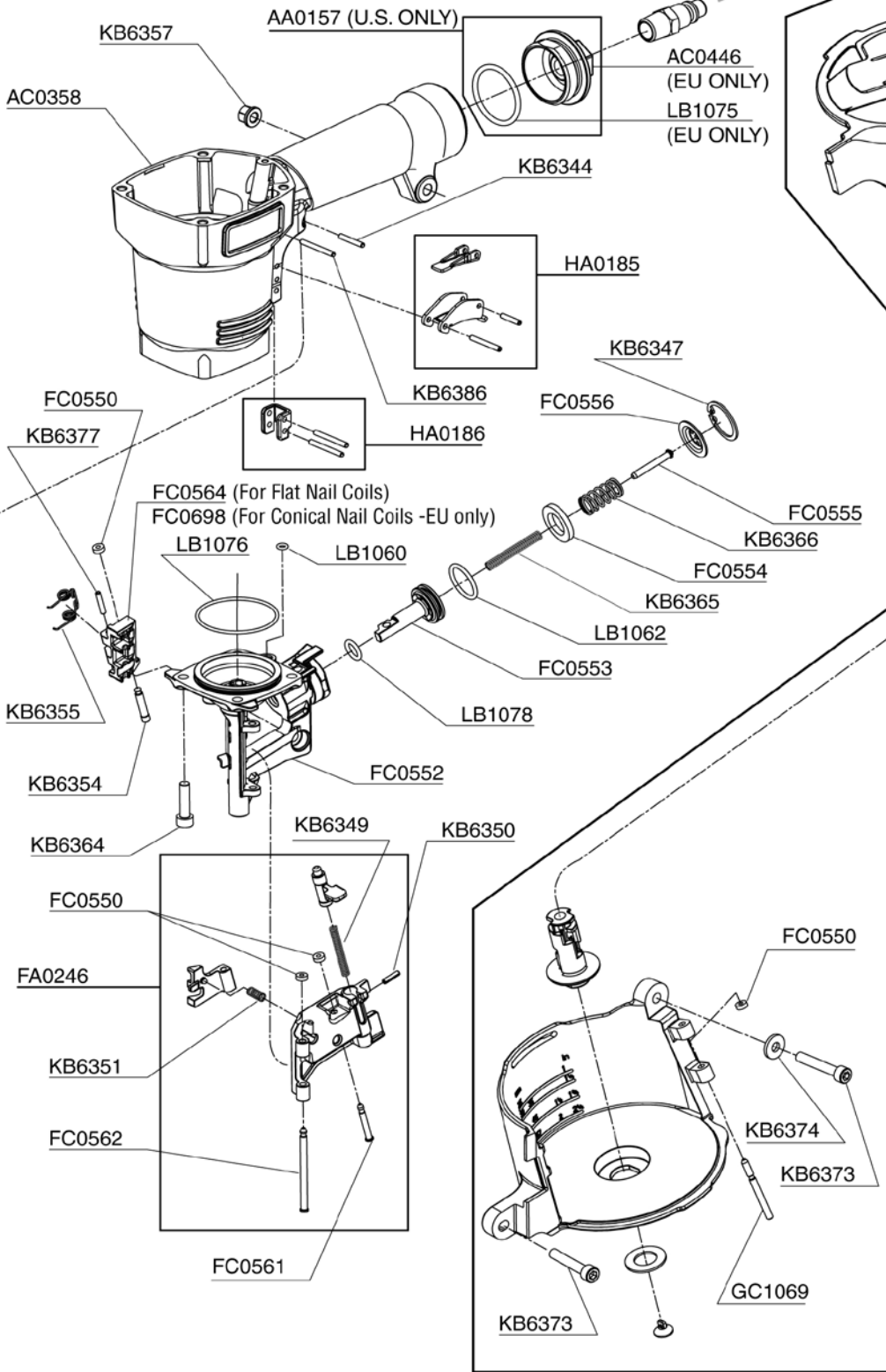
*Questions? Comments? call SENCO's toll-free Action-line:
1-800-543-4596 (North & South America only)
or e-mail: toolprof@senco.com*

Visit our Website www.senco.com

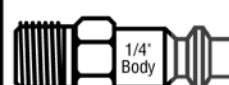
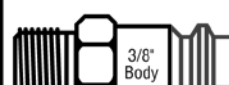




Tool #	Model
4L0001N	Flat Coil
4L2001N	Flat Coil
4L2002N	Conical Coil





Available Plugs
(Not Included with Tool)

	PC0479 ✓
1/4" Body	
Ind. Interchange 1/4" NPT	
	PC0486
3/8" Body	
Ind. Interchange 1/4" NPT	
	PC0468 ✓
1/4" Body	
Tru-Flate 1/4" NPT	
	PC0474
3/8" Body	
Tru-Flate 1/4" NPT	

✓ **Recommended Plugs**
Plugs shown smaller than actual size

NFG04L Revised July 29, 2008 (Replaces 10/18/07) © 2007, 2008 by SENCO Products, Inc. Cincinnati, Ohio 45244 - U.S.A.

PART NO.	DESCRIPTION	DESCRIPCIÓN	BESCHREIBUNG	DÉSIGNATION
AA0157	END CAP ASY (U.S. ONLY)	ASAMBLE DE TAPA	KAPPE-ZUSAMMENBAU	BOUCHON D'ASSEMBLÉE
AC0355	WEAR GUARD	PLACA	SCHUTZPLATTE	BOUCLIER ANTIABRASIF
AC0356	CAP	TAPA	KAPPE	BOUCHON
AC0357	SEAL	SELLO	DICHTUNG	JOINT
AC0358	MAIN BODY	CARCASA	GEHÄUSE	CORPS
AC0446	END CAP (EU ONLY)	TAPA	KAPPE	BOUCHON
BA0173	DEFLECTOR ASY	ASAMBLE DE DESVIADOR	ABWEISER-ZUSAMMENBAU	DEFLECTEUR D'ASSEMBLÉE
BC0531	SEAL	SELLO	DICHTUNG	JOINT
BC0534	MUFFLER	SILENCIADOR	DAMPFER	SILENCIEUX
BC0535	SEAL	SELLO	DICHTUNG	JOINT
BC0536	SEAL	SELLO	DICHTUNG	JOINT
BC0537	WASHER	ARANDELA	SCHEIBE	RONDELLE
BC0538	VALVE	VALVULA	VENTIL	VALVE
BC0539	CYLINDER COLLAR	CILINDRO	ZYLINDER	CYLINDRE
BC0540	CYLINDER	CILINDRO	ZYLINDER	CYLINDRE
BC0541	RING, CYLINDER	ANILLO	REIFEN	ANNEAU
BC0542	SPACER	SEPARADOR	DISTANZSTÜCK	ENRETOISE
BC0543	STOP PISTON	TOPPE	PUFFER	ARRÊT
CA0112	VALVE ASSEMBLY	ASAMBLE DE VALVULA	VENTIL-ZUSAMMENBAU	VALVE D'ASSEMBLÉE
EA0171	DRIVER ASSY	PERCUSOR	TREIBER	COUTEAU
FA0246	LATCH ASY	ASAMBLE DE UNETA	VERSCHLUSS-ZUSAMMENBAU	DOIGT DE RETENUE D'ASSEMBLÉE
FC0552	GUIDE BODY	PLACA DE NARIZ	NAGELFUHRUNG	FRONT
FC0550	RETAINER	JUNTA TÓRICA	SICHERUNGSRING	RETENUE
FC0553	PISTON, FEED	PISTON	KOLBEN	PISTON
FC0554	STOP	TOPPE	PUFFER	ARRÊT
FC0555	PIN	PASADOR	STIFT	GOUILLE
FC0556	CAP, FEED PISTON	TAPA	KAPPE	BOUCHON
FC0561	PIN	PASADOR	STIFT	GOUILLE
FC0562	PIN	PASADOR	STIFT	GOUILLE
FC0564	FEED PAWL (FLAT NAIL COILS)	ALIMENTADOR	VORSCHIEBER	POUSSOIR
FC0565	COVER	CUBIERTA	ABDECKUNG	COUVERCLE
FC0698	FEED PAWL (CONICAL NAIL COILS)	ALIMENTADOR	VORSCHIEBER	POUSSOIR
GA0524	MAGAZINE ASY	ASAMBLE DE CARGADOR	MAGAZIN-ZUSAMMENBAU	MAGASIN D'ASSEMBLÉE
GC1069	PIN	PASADOR	STIFT	GOUILLE
HA0185	TRIGGER ASSEMBLY	ASAMBLE DE GATILLO	AUSLÖSER-ZUSAMMENBAU	GÂCHETTE D'ASSEMBLÉE
HA0186	SAFETY ELEMENT ASSEMBLY	ASAMBLE DE SEGURO	SICHERHEITSVORRICHTUNG-ZUSAMMENBAU	ENSEMBLE PALPEUR DE SÉCURITÉ
HA0203	COVER ASY	ASAMBLE DE CUBIERTA	ABDECKUNG-ZUSAMMENBAU	COUVERCLE D'ASSEMBLÉE
HC0485	SAFETY ELEMENT	SEGURO	SICHERHEITSVORRICHTUNG	PALPEUR DE SÉCURITÉ
KB6344	PIN	PASADOR	STIFT	GOUILLE
KB6347	RING	ANILLO	REIFEN	ANNEAU
KB6349	SPRING	RESORTE	FEDER	RESSORT
KB6350	PIN	PASADOR	STIFT	GOUILLE
KB6351	SPRING	RESORTE	FEDER	RESSORT
KB6354	PIN	PASADOR	STIFT	GOUILLE
KB6355	SPRING	RESORTE	FEDER	RESSORT
KB6357	NUT	TUERCA	MUTTE	ECROU
KB6361	SCREW	TORNILLO	SCHRAUBE	VIS
KB6362	SPRING	RESORTE	FEDER	RESSORT
KB6364	SCREW	TORNILLO	SCHRAUBE	VIS
KB6365	SPRING	RESORTE	FEDER	RESSORT
KB6366	SPRING	RESORTE	FEDER	RESSORT
KB6371	SPRING	RESORTE	FEDER	RESSORT
KB6373	SCREW	TORNILLO	SCHRAUBE	VIS
KB6374	WASHER	ARANDELA	SCHEIBE	RONDELLE
KB6377	PIN	PASADOR	STIFT	GOUILLE
KB6386	PIN	PASADOR	STIFT	GOUILLE
LB1060	SEAL	SELLO	DICHTUNG	JOINT
LB1062	SEAL	SELLO	DICHTUNG	JOINT
LB1063	SEAL	SELLO	DICHTUNG	JOINT
LB1064	SEAL	SELLO	DICHTUNG	JOINT
LB1065	SEAL	SELLO	DICHTUNG	JOINT
LB1066	SEAL	SELLO	DICHTUNG	JOINT
LB1067	SEAL	SELLO	DICHTUNG	JOINT
LB1075	SEAL (EU ONLY)	SELLO	DICHTUNG	JOINT
LB1076	SEAL	SELLO	DICHTUNG	JOINT
LB1078	SEAL	SELLO	DICHTUNG	JOINT

