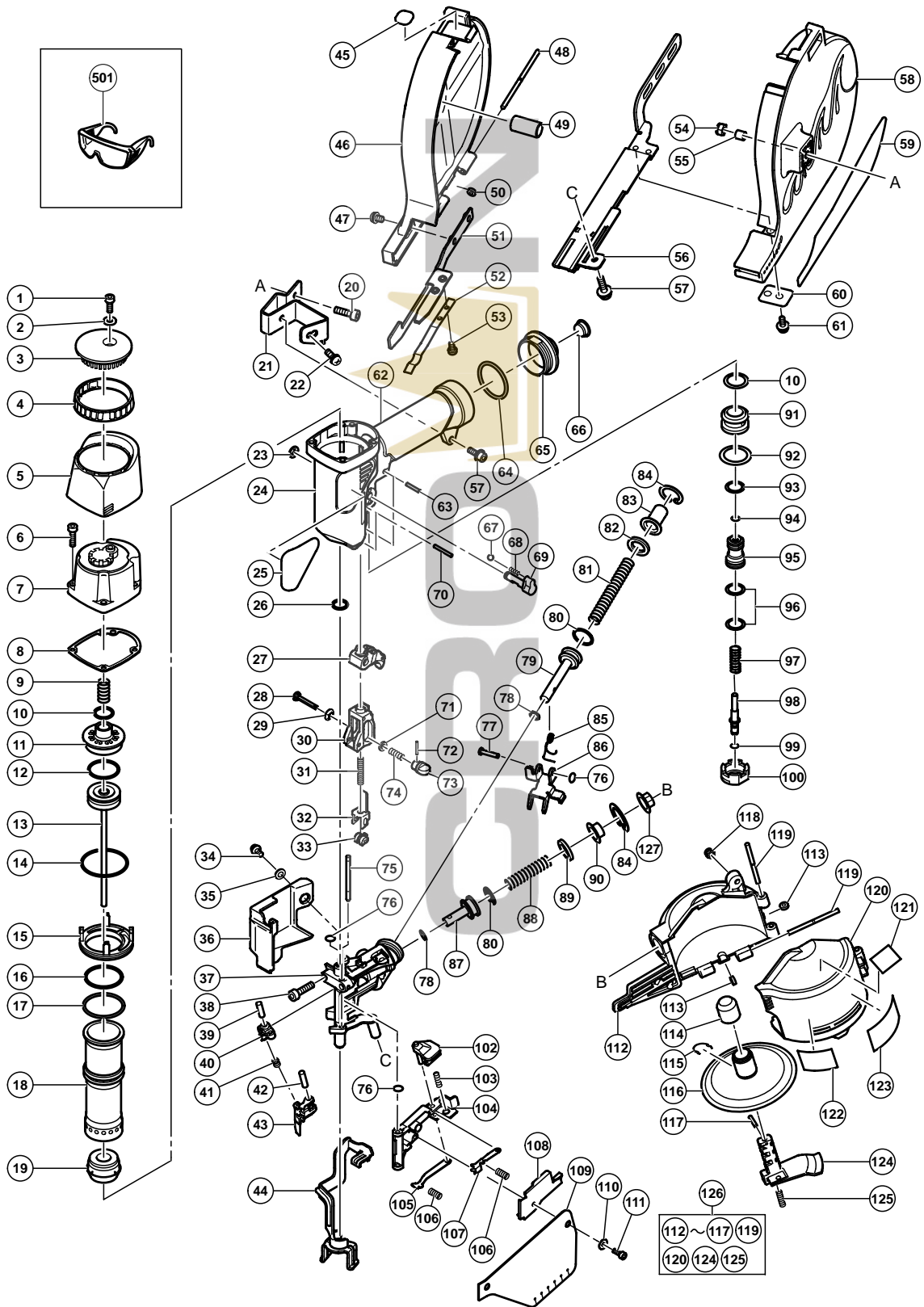


## PNEUMATIC TOOL PARTS LIST

**WASHER NAILER**  
**Model NV 50AP3**

**2005 • 7 • 25**  
**(E1)**



**PARTS**

NV 50AP3

ITEM NO.	CODE NO.	DESCRIPTION	NO. USED	REMARKS
1	949-819	HEX. SOCKET HD. BOLT M5X10 (10 PCS.)	1	
2	944-260	WASHER	1	
3	881-841	TOP COVER	1	
4	881-840	HEAD RING	1	
5	881-883	PROTECTOR (A)	1	
6	949-757	HEX. SOCKET HD. BOLT M5X20 (10 PCS.)	4	
7	881-879	EXHAUST COVER	1	
8	881-839	GASKET (A)	1	
9	881-851	HEAD VALVE SPRING	1	
10	877-699	HEAD VALVE O-RING (I.D 16.8)	2	
11	881-837	HEAD VALVE (A)	1	
12	883-365	O-RING (1BP-28)	1	
13	885-390	PISTON	1	
14	990-067	O-RING (1AS-50)	1	
15	881-831	CYLINDER PLATE	1	
16	984-483	O-RING (S-36)	1	
17	881-864	CYLINDER O-RING	1	
18	885-531	CYLINDER	1	
19	881-830	PISTON BUMPER	1	
20	949-660	HEX. SOCKET HD. BOLT M6X20 (10 PCS.)	1	
21	885-413	HANDLE ARM	1	
22	990-541	MACHINE SCREW (W/WASHERS) M5X16	1	
23	955-479	RETAINING RING (E-TYPE) FOR D6 SHAFT	1	
24	885-389	BODY ASS'Y	1	INCLUD. 62
25		NAME PLATE	1	
26	875-638	O-RING (S-12)	1	
27	884-145	TRIGGER (A)	1	
28	881-846	ADJUSTER SHAFT	1	
29	881-847	LATCH	1	
30	316-389	PUSHING LEVER GUIDE	1	
31	881-844	PUSHING LEVER SPRING	1	
32	881-843	PUSHING LEVER (B)	1	
33	881-845	ADJUSTER	1	
34	878-540	NYLOCK BOLT (W/FLANGE) M5X8	1	
35	876-205	WASHER	1	
36	885-415	PUSHING LEVER COVER	1	
37	885-392	TAIL COVER	1	
38	949-652	HEX. SOCKET HD. BOLT M6X25 (10 PCS.)	2	
39	949-770	ROLL PIN D4X14 (10 PCS.)	1	
40	878-132	FEEDER ARM	1	
41	878-340	FEEDER SPRING	1	
42	983-545	NEEDLE ROLLER	1	
43	885-539	FEEDER	1	
44	885-394	PUSHING LEVER (A)	1	
45	885-532	RUBBER SHEET	1	
46	885-396	WASHER MAGAZINE	1	
47	310-533	SEAL LOCK SCREW (W/WASHERS) M5X8 (BLACK)	2	
48	885-398	PIN D4X88	1	
49	885-399	SLEEVE (A)	1	
50	877-826	FEEDER SHAFT RING	1	
51	885-400	WASHER GUIDE	1	

**PARTS**

NV 50AP3

ITEM NO.	CODE NO.	DESCRIPTION	NO. USED	REMARKS
52	885-401	WASHER SPRING	1	
53	303-631	SEAL LOCK SCREW M4X6 (BLACK)	2	
54	963-837	NYLON NUT M6	1	
55	885-414	HOLDER SLEEVE (B)	1	
56	885-395	WASHER RAIL	1	
57	313-082	NYLOCK BOLT (W/FLANGE) M5X16	2	
58	885-397	WASHER MAGAZINE COVER	1	
59		LABEL (A)	1	
60	885-533	PLATE	1	
61	678-668	SEAL LOCK SCREW (W/WASHERS) M5X12 (BLACK)	2	
62		GRIP RUBBER	1	SUPPLIED WITH ITEM NO. 601, 602
63	949-518	ROLL PIN D3X18 (10 PCS.)	2	
64	880-183	O-RING (I.D 37.2)	1	
65	880-379	CAP	1	
66	872-035	DUST CAP	1	
67	959-155	STEEL BALL D3.97 (10 PCS.)	1	
68	982-454	SPRING (C)	1	
69	884-335	CHANGE KNOB	1	
70	949-539	ROLL PIN D3X25 (10 PCS.)	1	
71	949-429	BOLT WASHER M4 (10 PCS.)	1	
72	878-222	ROLL PIN D1.6X12	1	
73	885-391	ADJUSTER KNOB (B)	1	
74	881-853	ADJUSTER SPRING	1	
75	885-535	NAIL GUIDE SHAFT	1	
76	873-093	O-RING (1AP-3)	3	
77	885-407	PIN (A)	1	
78	872-645	O-RING (P-9)	2	
79	885-402	FEED PISTON (B)	1	
80	873-570	O-RING (P-18)	2	
81	885-403	SPRING (B)	1	
82	885-534	BUMPER (B)	1	
83	885-404	FEED PISTON COVER (A)	1	
84	983-748	RETAINING RING FOR D24 HOLE	2	
85	885-406	FEEDER SPRING	1	
86	885-405	WASHER FEEDER	1	
87	885-393	FEED PISTON	1	
88	880-409	SPRING	1	
89	877-476	DAMPER	1	
90	880-170	FEED PISTON COVER	1	
91	878-881	VALVE BUSHING (B)	1	
92	878-885	O-RING (S-18)	1	
93	878-887	O-RING (I.D 11)	1	
94	981-317	O-RING (S-4)	1	
95	884-143	VALVE PISTON (B)	1	
96	878-925	O-RING (I.D 8.8)	2	
97	878-884	PLUNGER SPRING	1	
98	884-144	PLUNGER (A)	1	
99	878-888	O-RING (I.D 1.8)	1	
100	880-671	VALVE BUSHING (A)	1	
102	878-103	GUIDE LOCK	1	
103	880-446	SPRING	1	

