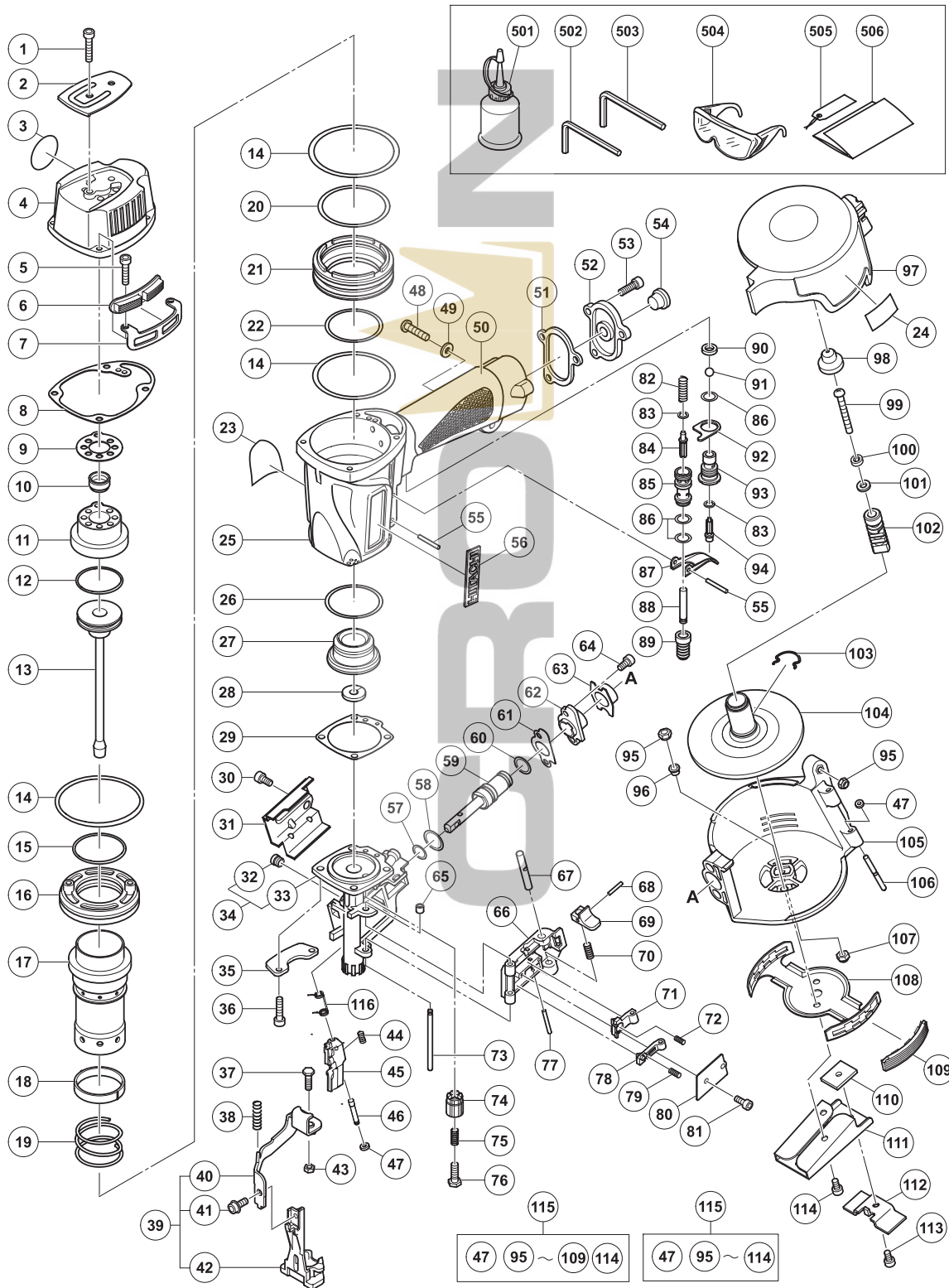
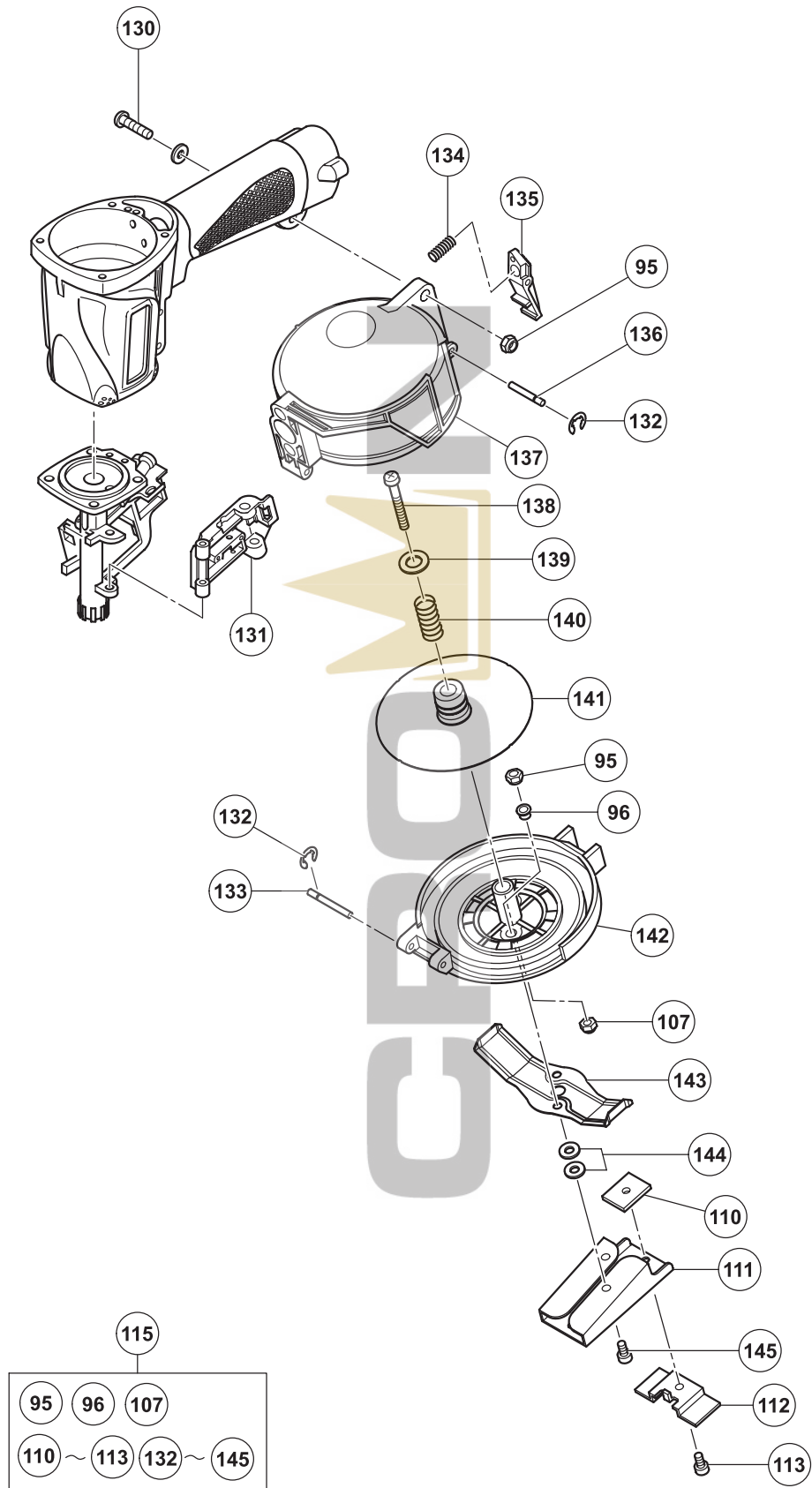


PNEUMATIC TOOL PARTS LIST

COIL NAILER
Model NV 45AE

2007·11·27
(E1)





PARTS

NV 45AE

ITEM NO.	CODE NO.	DESCRIPTION	NO. USED	REMARKS
1	949-662	HEX. SOCKET HD. BOLT M5X25 (10 PCS.)	2	
2	876-179	TOP COVER	1	
* 3	883-513	WARNING LABEL (A)	1	FOR USA, CAN
4	886-389	EXHAUST COVER (B)	1	
5	949-757	HEX. SOCKET HD. BOLT M5X20 (10 PCS.)	4	
6	883-891	PROTECTOR	2	
7	883-890	BODY GUARD	2	
8	883-892	GASKET (F)	1	
9	876-713	GASKET (G)	1	
10	878-417	EXHAUST VALVE	1	
11	876-711	HEAD CAP	1	
12	876-174	PISTON O-RING	1	
13	886-391	PISTON (H)	1	
14	876-161	O-RING (S-65)	3	
15	877-126	CYLINDER O-RING (D)	1	
16	876-168	CYLINDER PLATE	1	
17	877-486	CYLINDER	1	
18	876-167	CYLINDER RING	1	
19	876-172	CYLINDER SPRING	1	
20	877-123	CYLINDER O-RING (A)	1	
21	877-122	CYLINDER GUIDE	1	
22	877-124	CYLINDER O-RING (B)	1	
23		NAME PLATE	1	
* 24	878-183	WARNING LABEL	1	FOR EUROPE
25	886-386	BODY ASS'Y	1	INCLUD. 50
26	877-125	CYLINDER O-RING (C)	1	
27	878-179	PISTON BUMPER	1	
28	886-392	BUMPER SHEET	1	
29	883-881	GASKET (A)	1	
30	949-818	HEX. SOCKET HD. BOLT M5X8 (10 PCS.)	2	
31	886-381	GUARD	1	
32	886-379	MAGNET	1	
33	886-378	NOSE	1	
34	886-377	NOSE ASS'Y	1	INCLUD. 32, 33
35	878-173	NOSE GUARD	2	
36	885-686	NYLOCK HEX. SOCKET HD. BOLT M5X20	4	
37	875-650	SAFETY BOLT	1	
38	878-178	SPRING	1	
39	886-383	PUSHING LEVER ASS'Y	1	INCLUD. 40-42
40	886-385	PUSHING LEVER (B)	1	
41	878-540	NYLOCK BOLT (W/FLANGE) M5X8	1	
42	886-384	PUSHING LEVER (A)	1	
43	949-555	NUT M5 (10 PCS.)	1	
44	880-321	PUSHING SPRING	1	
45	886-380	FEEDER	1	
46	877-825	FEEDER SHAFT	1	
47	877-826	FEEDER SHAFT RING	2	
48	949-242	MACHINE SCREW M5X22 (10 PCS.)	1	
49	876-205	WASHER	1	
50		GRIP RUBBER	1	(SUPPLIED WITH ITEM NO. 601, 602)

PARTS

NV 45AE

ITEM NO.	CODE NO.	DESCRIPTION	NO USED	REMARKS
51	877-131	GASKET (D)	1	
52	880-036	CAP	1	
53	949-821	HEX. SOCKET HD. BOLT M5X16 (10 PCS.)	3	
54	872-035	DUST CAP	1	
55	949-866	ROLL PIN D3X30 (10 PCS.)	2	
56	886-342	HITACHI PLATE	1	
57	872-645	O-RING (P-9)	1	
58	877-763	FEED PISTON O-RING (I.D.14)	1	
59	886-382	FEED PISTON	1	
60	877-764	FEED PISTON O-RING (I.D.11)	1	
61	877-767	GASKET (E)	1	
62	877-766	FEED PISTON COVER	1	
63	877-479	MAGAZINE BUSHING	1	
64	949-819	HEX. SOCKET HD. BOLT M5X10 (10 PCS.)	2	
65	883-885	SHAFT RING	1	
* 66	886-398	NAIL GUIDE (A)	1	FOR USA, EUROPE
67	877-820	LOCK SHAFT	1	
68	949-776	ROLL PIN D3X10 (10 PCS.)	1	
69	326-774	GUIDE LOCK (A)	1	
70	877-372	SPRING	1	
71	886-060	MAIN NAIL STOPPER (A)	1	
72	876-681	MAIN STOPPER SPRING	1	
73	883-884	NAIL GUIDE SHAFT	1	
74	883-882	ADJUSTER	1	
75	883-883	ADJUSTER SPRING	1	
76	958-805	BOLT	1	
77	949-865	ROLL PIN D3X28 (10 PCS.)	1	
78	886-061	NAIL STOPPER (A)	1	
79	877-468	SUB STOPPER SPRING	1	
80	877-469	NAIL GUIDE COVER	1	
81	949-766	HEX. SOCKET HD. BOLT M4X6 (10 PCS.)	2	
82	875-643	PLUNGER SPRING	1	
83	874-820	PLUNGER O-RING	2	
84	878-155	PLUNGER (A)	1	
85	878-166	VALVE BUSHING	1	
86	875-638	O-RING (S-12)	3	
87	876-203	TRIGGER	1	
88	878-171	PLUNGER (B)	1	
89	878-170	VALVE RUBBER COVER	1	
90	878-734	VALVE PACKING	1	
91	875-645	URETHANE BALL (C) D7.14	1	
92	875-644	VALVE PLATE	1	
93	877-335	TRIGGER VALVE BUSHING	1	
94	878-121	TRIGGER PLUNGER	1	
95	945-255	U-NUT M5	3	
96	878-164	SLEEVE	2	
* 97	886-395	MAGAZINE COVER	1	FOR USA, EUROPE
* 98	883-900	HOLDER CAP	1	FOR USA, EUROPE
99	949-230	MACHINE SCREW M4X50 (10 PCS.)	1	
100	949-453	SPRING WASHER M4 (10 PCS.)	1	

PARTS

NV 45AE

ITEM NO.	CODE NO.	DESCRIPTION	NO. USED	REMARKS
*	101	949-423	WASHER M4 (10 PCS.)	1 FOR USA, EUROPE
*	102	883-897	HOLDER SHAFT	1 FOR USA, EUROPE
*	103	880-398	RATCHET SPRING	1 FOR USA, EUROPE
*	104	883-896	NAIL HOLDER	1 FOR USA, EUROPE
*	105	883-895	MAGAZINE	1 FOR USA, EUROPE
*	106	883-111	PIN	1 FOR USA, EUROPE
*	107	876-465	NYLON NUT M4	1
*	108	886-396	MAGAZINE GUARD (A)	1 FOR USA, EUROPE
*	109	886-397	PROTECTOR (B)	2 FOR USA, EUROPE
*	110	878-213	PLATE NUT	1 EXCEPT FOR EUROPE
*	111	878-176	GUIDE BASE	1 EXCEPT FOR EUROPE
*	112	878-175	SHINGLE GUIDE	1 EXCEPT FOR EUROPE
*	113	949-819	HEX. SOCKET HD. BOLT M5X10 (10 PCS.)	1 EXCEPT FOR EUROPE
*	114	949-665	HEX. SOCKET HD. BOLT M5X14 (10 PCS.)	2 FOR USA, EUROPE
*	115	886-393	MAGAZINE ASS'Y	1 INCLUD. 47, 95-109, 114
*	115	886-394	MAGAZINE ASS'Y	1 INCLUD. 47, 95-114 FOR USA
*	115	878-174	MAGAZINE ASS'Y	1 INCLUD. 95, 96, 107, 110-113, 132-145 FOR USA (BOTTOM LOADING MAGAZINE)
*	130	949-241	MACHINE SCREW M5X20 (10 PCS.)	1 FOR USA (BOTTOM LOADING MAGAZINE)
*	131	886-399	NAIL GUIDE (A)	1 FOR USA (BOTTOM LOADING MAGAZINE)
*	132	872-971	RETAINING RING (E-TYPE) FOR D3 SHAFT	2 FOR USA (BOTTOM LOADING MAGAZINE)
*	133	877-152	HINGE PIN	1 FOR USA (BOTTOM LOADING MAGAZINE)
*	134	877-149	STOPPER SPRING	1 FOR USA (BOTTOM LOADING MAGAZINE)
*	135	880-146	MAGAZINE STOPPER	1 FOR USA (BOTTOM LOADING MAGAZINE)
*	136	877-150	STOPPER PIN	1 FOR USA (BOTTOM LOADING MAGAZINE)
*	137	878-158	MAGAZINE	1 FOR USA (BOTTOM LOADING MAGAZINE)
*	138	949-228	MACHINE SCREW M4X40 (10 PCS.)	1 FOR USA (BOTTOM LOADING MAGAZINE)
*	139	875-246	WASHER	1
*	140	877-894	HOLDER SPRING	1 FOR USA (BOTTOM LOADING MAGAZINE)
*	141	878-159	NAIL HOLDER	1 FOR USA (BOTTOM LOADING MAGAZINE)
*	142	878-161	MAGAZINE COVER	1 FOR USA (BOTTOM LOADING MAGAZINE)
*	143	878-163	MAGAZINE GUARD	1 FOR USA (BOTTOM LOADING MAGAZINE)
*	144	949-424	WASHER M5 (10 PCS.)	4 FOR USA (BOTTOM LOADING MAGAZINE)
*	145	949-821	HEX. SOCKET HD. BOLT M5X16 (10 PCS.)	2 FOR USA (BOTTOM LOADING MAGAZINE)

STANDARD ACCESSORIES

NV 45AE

ITEM NO.	CODE NO.	DESCRIPTION	NO. USED	REMARKS
501	877-153	PNEUMATIC TOOL LUBRICANT (30CC)	1	
502	943-277	HEX. BAR WRENCH 3MM	1	
503	944-458	HEX. BAR WRENCH 4MM	1	
504	875-769	SAFETY GLASSES	1	
* 505	878-188	CAUTION TAG	1	FOR USA, CAN
506		LEAFLET	1	

OPTIONAL ACCESSORIES

ITEM NO.	CODE NO.	DESCRIPTION	NO. USED	REMARKS
601	881-768	GRIP TAPE (A)	1	
602	880-407	TAPE	2	
603	970-893	J-125 VALVE BUSH SPANNER	1	
604	878-226	SEQUENTIAL TRIP MECHANISM SET	1	