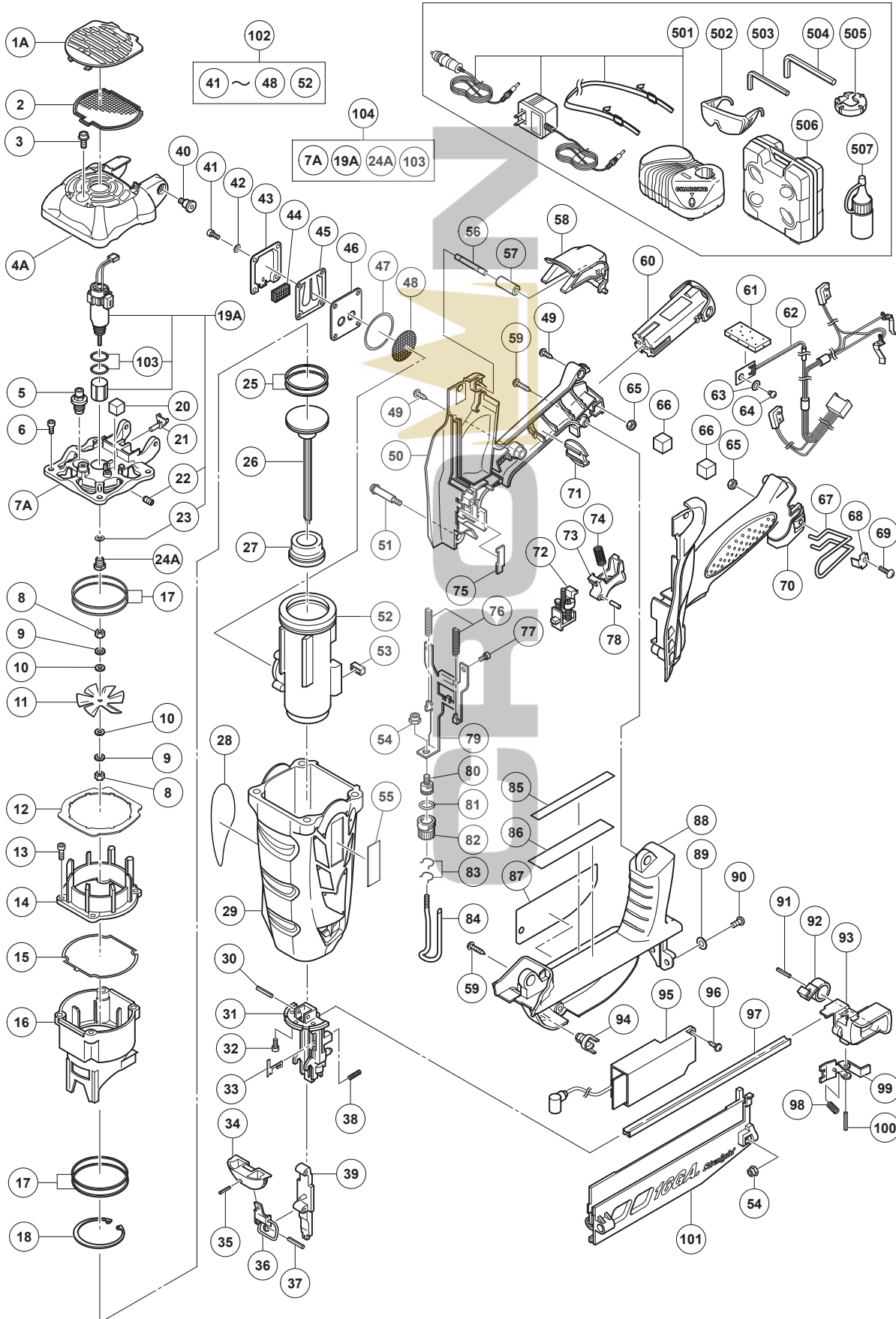


## GAS TOOL PARTS LIST

### ■ GAS FINISH NAILER Model NT 65GS

2008·6·25  
(E2)



**PARTS**

NT 65GS

ITEM NO.	CODE NO.	DESCRIPTION	NO. USED	REMARKS
1A	886-664	FILTER COVER	1	
2	886-344	FILTER MESH	1	
3	886-347	HEX. SOCKET HD. BOLT (W/FLANGE) M5X10	1	
4A	886-335	TOP COVER	1	
5	885-333	SPARK PLUG (A)	1	
6	880-630	NYLOCK HEX. SOCKET HD. BOLT M4X12	4	
7A	886-661	CYLINDER HEAD	1	
8	949-553	NUT M3 (10 PCS.)	2	
9	949-451	SPRING WASHER M3 (10 PCS.)	2	
10	949-422	WASHER M3 (10 PCS.)	2	
11	886-309	FAN	1	
12	886-568	RUBBER PLATE	1	
13	949-754	HEX. SOCKET HD. BOLT M4X16 (10 PCS.)	4	
14	886-295	CHAMBER HEAD	1	
15	886-296	GASKET	1	
16	886-297	CHAMBER	1	
17	886-312	PISTON RING (B)	4	
18	886-298	RETAINING RING FOR D40 HOLE	1	
19A	886-662	MOTOR ASS'Y	1	INCLUD. 22, 23
20	886-315	PACKING	1	
21	886-313	ADAPTER	1	
22	886-314	HEX. SOCKET SET SCREW M4X5	2	
23	886-567	SHAFT RUBBER WASHER	1	
24A	886-663	SHAFT COVER	1	
25	886-286	PISTON RING (A)	2	
26	886-291	PISTON	1	
27	886-289	PISTON BUMPER	1	
28		NAME PLATE	1	
29	886-549	HOUSING	1	
30	886-310	PIN	1	
31	886-302	BLADE GUIDE	1	
32	886-311	SEAL LOCK HEX. SOCKET HD. BOLT M4X12	3	
33	886-304	LOCK PLATE	1	
34	886-570	LOCK LEVER COVER	1	
35	949-776	ROLL PIN D3X10 (10 PCS.)	1	
36	886-329	LOCK LEVER	1	
37	949-496	ROLL PIN D3X16 (10 PCS.)	1	
38	886-305	LOCK SPRING	1	
39	886-303	GUIDE PLATE	1	
40	886-566	HEX. SHOULDER BOLT M5	2	
41	886-307	SEAL LOCK HEX. SOCKET HD. BOLT M4X8	4	
42	886-319	BELLEVILLE SPRING H8	4	
43	886-287	BUFFER COVER	1	
44	886-288	MUFFLER	1	
45	886-290	REED VALVE	1	
46	886-293	BUFFER PLATE	1	
47	886-294	O-RING	1	
48	886-292	MESH	1	
49	305-812	TAPPING SCREW (W/FLANGE) D4X16 (BLACK)	2	
50	886-317	HANDLE (B)	1	

**PARTS**

NT 65GS

ITEM NO.	CODE NO.	DESCRIPTION	NO USED	REMARKS
51	886-565	HEX. SHOULDER BOLT M4X32	1	
52	886-284	CYLINDER	1	
53	886-285	CHAMBER STOP RUBBER	1	
54	877-371	NYLON NUT M5	3	
55	886-342	HITACHI PLATE	1	
56	886-332	CELL PIN	1	
57	886-333	PIPE RUBBER	1	
58	886-326	ACTUATER	1	
59	302-086	TAPPING SCREW (W/FLANGE) D4X20 (BLACK)	2	
* 60	326-299	BATTERY EBM 315 (EUROPE, AUS, NZL)	2	
* 60	326-263	BATTERY EBM 315 (USA, CAN)	2	
61	886-316	SUPPORT (B)	1	
62	886-321	INTERNAL WIRE (A)	1	
63	949-423	WASHER M4 (10 PCS.)	1	
64	949-216	MACHINE SCREW M4X10 (10 PCS.)	1	
65	886-330	LOCK NUT M4 (BLACK)	2	
66	886-325	PACKING	2	
67	886-345	HOOK	1	
68	886-571	HOOK PLATE	1	
69	886-346	TRUSS HD. SCREW M4 (BLACK)	1	
70	886-323	HANDLE (A)	1	
71	326-316	TERMINAL SUPPORT	1	
72	886-552	TRIGGER STOPPER	1	
73	886-327	TRIGGER	1	
74	886-328	TRIGGER SPRING	1	
75	886-324	CORD COVER PLATE	1	
76	886-301	CHAMBER SPRING	2	
77	886-308	SEAL LOCK HEX. SOCKET HD. BOLT M4X10	2	
78	949-890	PIN D3X20 (10 PCS.)	1	
79	886-299	PUSHING LEVER ARM	1	
80	886-300	PUSHING LEVER PIECE	1	
81	992-912	O-RING (S-8)	1	
82	886-338	ADJUSTER	1	
83	886-331	RATCHET SPRING	2	
84	886-337	PUSHING LEVER (A)	1	
* 85		CAUTION LABEL	1	FOR EUROPE
86		CAUTION LABEL (A)	1	
* 87		WARNING LABEL	1	
* 87		WARNING LABEL	1	FOR USA, CAN
88	886-318	MAGAZINE COVER	1	
89	949-431	BOLT WASHER M5 (10 PCS.)	2	
90	885-997	MACHINE SCREW M5X15 (BLACK)	2	
91	949-496	ROLL PIN D3X16 (10 PCS.)	1	
92	881-755	RIBBON SPRING	1	
93	886-340	NAIL FEEDER (B)	1	
94	886-322	PRISM	1	
95	886-320	CONTROLLER	1	
96	325-083	TAPPING SCREW (W/FLANGE) D4X12 (BLACK)	1	
97	886-341	NAIL RAIL	1	
98	880-321	PUSHING SPRING	1	

