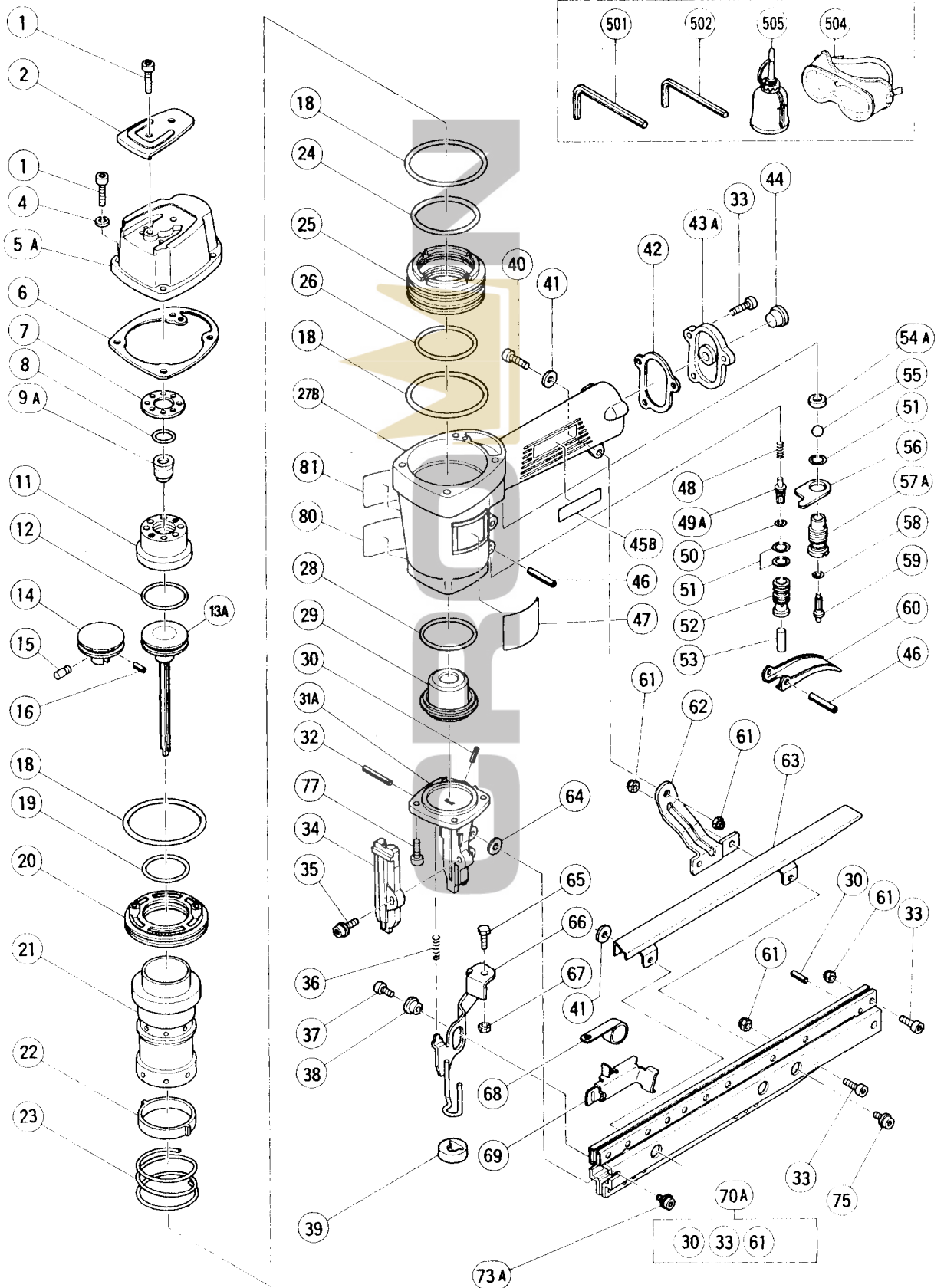


PNEUMATIC TOOL PARTS LIST

■ BRAD NAILER
Model NT 65A

1997 · 1 · 30
(E3)



PARTS

NT 65A

| ITEM NO. | CODE NO. | DESCRIPTION | NO. USED | REMARKS |
|----------|----------|---------------------------------------|----------|--------------|
| 1 | 949-757 | HEX. SOCKET HD. BOLT M5X20 (10 PCS.) | 6 | |
| 2 | 876-179 | TOP COVER | 1 | |
| 4 | 949-454 | SPRING WASHER M5 (10 PCS.) | 4 | |
| 5A | 877-917 | EXHAUST COVER | 1 | |
| 6 | 876-176 | GASKET (B) | 1 | |
| 7 | 876-178 | GASKET (C) | 1 | |
| 8 | 872-821 | VALVE O - RING | 1 | TILL 4.1988 |
| 9A | 878-539 | EXHAUST VALVE | 1 | |
| 11 | 878-026 | HEAD CAP | 1 | |
| 12 | 876-174 | PISTON O - RING | 1 | |
| 13A | 878-520 | PISTON | 1 | |
| 14 | 878-521 | PISTON | 1 | TILL 6.1994 |
| 15 | 878-483 | BIT PIN | 1 | TILL 6.1994 |
| 16 | 949-861 | ROLL PIN D2X12 (10 PCS.) | 1 | TILL 6.1994 |
| 18 | 876-161 | O - RING (S - 65) | 3 | |
| 19 | 877-126 | CYLINDER O - RING (D) | 1 | |
| 20 | 876-168 | CYLINDER PLATE | 1 | |
| 21 | 878-021 | CYLINDER | 1 | |
| 22 | 876-167 | CYLINDER RING | 1 | |
| 23 | 876-172 | CYLINDER SPRING | 1 | |
| 24 | 877-123 | CYLINDER O - RING (A) | 1 | |
| 25 | 877-122 | CYLINDER GUIDE | 1 | |
| 26 | 877-124 | CYLINDER O - RING (B) | 1 | |
| 27B | 878-430 | BODY | 1 | |
| 28 | 877-125 | CYLINDER O - RING (C) | 1 | |
| 29 | 878-359 | PISTON BUMPER | 1 | |
| 30 | 949-496 | ROLL PIN D3X16 (10 PCS.) | 2 | |
| 31A | 878-522 | NOSE ASS'Y | 1 | INCLUD.30,32 |
| 32 | 949-682 | ROLL PIN D4X32 (10 PCS.) | 1 | |
| 33 | 949-821 | HEX. SOCKET HD. BOLT M5X16 (10 PCS.) | 5 | |
| 34 | 878-527 | BIT GUIDE | 1 | |
| 35 | 878-533 | HEX. SOCKET HD. BOLT (W/FLANGE) M6X16 | 1 | |
| * 36 | 877-873 | SPRING (B) | 1 | |
| * 36 | 877-883 | SPRING (C) | 1 | FOR EUROPE |
| 37 | 949-665 | HEX. SOCKET HD. BOLT M5X14 (10 PCS.) | 1 | |
| 38 | 878-526 | SLEEVE | 1 | |
| 39 | 878-538 | NOSE CAP | 1 | |
| 40 | 949-658 | HEX. SOCKET HD. BOLT M5X18 (10 PCS.) | 1 | |
| 41 | 876-205 | WASHER | 2 | |
| 42 | 877-131 | GASKET (D) | 1 | |
| 43A | 880-036 | CAP | 1 | |
| 44 | 872-035 | DUST CAP | 1 | |
| 45B | 878-182 | HITACHI LABEL | 1 | |
| 46 | 949-866 | ROLL PIN D3X30 (10 PCS.) | 2 | |
| 47 | | NAME PLATE | 1 | |
| 48 | 875-643 | PLUNGER SPRING | 1 | |
| 49A | 878-542 | PLUNGER (A) | 1 | |
| 50 | 877-705 | PLUNGER O - RING | 1 | |
| 51 | 875-638 | O - RING (S - 12) | 3 | |
| 52 | 877-880 | VALVE BUSHING | 1 | |
| 53 | 877-882 | PLUNGER (B) | 1 | |

*: ALTERNATIVE PARTS

PARTS

NT 65A

| ITEM NO. | CODE NO. | DESCRIPTION | NO. USED | REMARKS |
|----------|----------|---------------------------------------|----------|-----------------|
| 54A | 878-734 | VALVE PACKING | 1 | |
| 55 | 875-645 | URETHANE BALL (C) D7.14 | 1 | |
| 56 | 875-644 | VALVE PLATE | 1 | |
| 57A | 877-335 | TRIGGER VALVE BUSHING | 1 | |
| 58 | 874-820 | PLUNGER O - RING | 1 | |
| 59 | 878-121 | TRIGGER PLUNGER | 1 | |
| 60 | 876-203 | TRIGGER | 1 | |
| 61 | 877-371 | NYLON NUT M5 | 6 | |
| 62 | 878-531 | HANDLE ARM | 1 | |
| 63 | 878-530 | MAGAZINE COVER | 1 | |
| 64 | 878-525 | DISTANCE WASHER T0.2 | 4 | TILL 9.1995 |
| 65 | 875-650 | SAFETY BOLT | 1 | |
| 66 | 878-523 | PUSHING LEVER | 1 | |
| 67 | 949-555 | NUT M5 (10 PCS.) | 1 | |
| 68 | 878-528 | RIBBON SPRING | 1 | |
| 69 | 878-529 | NAIL FEEDER | 1 | |
| 70A | 878-524 | MAGAZINE ASS'Y | 1 | INCLUD.30,33,61 |
| 73A | 878-540 | NYLOCK BOLT (W/FLANGE) M5X8 | 1 | |
| 75 | 996-399 | HEX. SOCKET HD. BOLT (W/FLANGE) M5X12 | 3 | |
| 77 | 878-181 | NYLOCK HEX. SOCKET HD. BOLT M5X16 | 4 | |
| 78 | 878-543 | DISTANCE WASHER T0.1 | 2 | TILL 9.1995 |
| 79 | 878-544 | WASHER T0.4 | 2 | TILL 9.1995 |
| * 80 | 878-184 | WARNING LABEL | 1 | |
| * 81 | 878-183 | WARNING LABEL | 1 | FOR EUROPE |

STANDARD ACCESSORIES

| ITEM NO. | CODE NO. | DESCRIPTION | NO. USED | REMARKS |
|----------|----------|---------------------------------|----------|------------|
| 501 | 944-459 | HEX. BAR WRENCH 5MM | 1 | |
| 502 | 944-458 | HEX. BAR WRENCH 4MM | 1 | |
| 504 | 875-789 | EYE PROTECTOR | 1 | |
| * 505 | 877-153 | PNEUMATIC TOOL LUBRICANT (30CC) | 1 | FOR EUROPE |
| | | | | |
| | | | | |
| | | | | |
| | | | | |

OPTIONAL ACCESSORIES

| ITEM NO. | CODE NO. | DESCRIPTION | NO. USED | REMARKS |
|----------|----------|-------------------|----------|---------|
| 601 | 876-762 | SINGLE SHOT PARTS | 1 | |
| | | | | |
| | | | | |
| | | | | |

* : ALTERNATIVE PARTS

