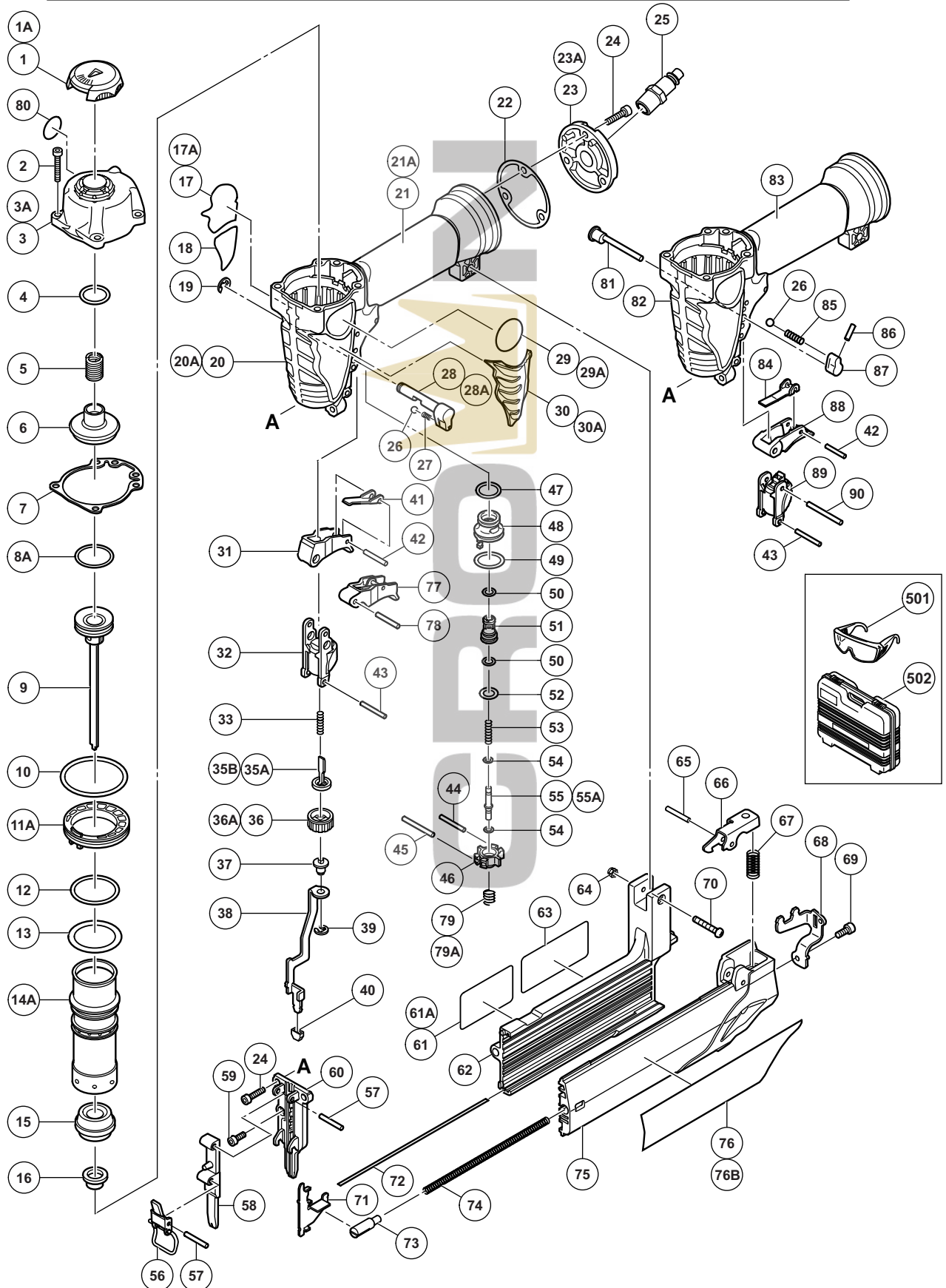


## PNEUMATIC TOOL PARTS LIST

### BRAD NAILER Model NT 50AE2

2011·2·23  
(E2)



**PARTS**

NT 50AE2

ITEM NO.	CODE NO.	DESCRIPTION	NO. USED	REMARKS
* 1	885-866	TOP COVER	1	(GRAY)
* 1A	886-197	TOP COVER	1	(BLACK) FOR USA, CAN
2	949-757	HEX. SOCKET HD. BOLT M5 X 20 (10 PCS.)	4	
* 3	885-867	EXHAUST COVER	1	(BLACK)
* 3A	886-733	EXHAUST COVER	1	(SILVER GREEN) FOR USA, CAN
4	878-600	HEAD VALVE O-RING	1	
5	880-190	HEAD VALVE SPRING	1	
6	880-410	HEAD VALVE (A)	1	
7	885-868	GASKET	1	
8A	886-068	O-RING (P22.4)	1	
9	885-870	PISTON	1	
10	885-871	O-RING (I.D 44.7)	1	
11A	885-872	CYLINDER PLATE	1	
12	301-684	O-RING (S-30)	1	
13	986-374	O-RING (P-32)	1	
14A	885-873	CYLINDER	1	
15	885-874	PISTON BUMPER	1	
16	885-875	BUMPER PIECE	1	
* 17	885-876	NAME PLATE	1	
* 17	885-961	NAME PLATE	1	FOR EUROPE
* 17A	887-753	NAME PLATE	1	FOR MODEL (S)
18	885-877	WARNING LABEL	1	
* 19	955-479	RETAINING RING (E-TYPE) FOR D6 SHAFT	1	
* 20	885-878	BODY ASS'Y	1	INCLUD. 21 (BLACK)
* 20A	886-731	BODY ASS'Y	1	INCLUD. 21 (SILVER GREEN)
* 21		GRIP RUBBER (A) (GREEN)	1	SUPPLIED WITH ITEM NO. 601, 602
* 21A		GRIP RUBBER (A) (BLACK)	1	SUPPLIED WITH ITEM NO. 601, 602
				FOR USA, CAN
22	884-342	GASKET (B)	1	
* 23	885-959	CAP (A)	1	(BLACK)
* 23A	884-343	CAP (A)	1	(SILVER GREEN) FOR USA, CAN
24	949-821	HEX. SOCKET HD. BOLT M5 X 16 (10 PCS.)	5	
25		AIR PLUG NPT 1/4	1	
26	959-155	STEEL BALL D3.97 (10 PCS.)	1	
* 27	982-454	SPRING (C)	1	
* 28	885-658	CHANGE KNOB (C)	1	(GREEN)
* 28A	886-265	CHANGE KNOB (C)	1	(BLACK) FOR USA, CAN
* 29		HITACHI LABEL (GREEN)	1	
* 29A		HITACHI LABEL (BLACK)	1	FOR USA, CAN
* 30	885-879	PROTECTOR	1	(SILVER)
* 30A	886-735	PROTECTOR	1	(BLACK) FOR USA, CAN
* 31	885-657	TRIGGER (C) ASS'Y	1	INCLUD. 41, 42
* 32	885-880	PUSHING LEVER GUIDE	1	
33	885-881	PUSHING LEVER SPRING (A)	1	
* 35A	885-973	PUSHING LEVER (C)	1	
* 35B	886-226	PUSHING LEVER (C)	1	FOR FIN, DEN, SWE, NOR
* 35B	887-678	PUSHING LEVER (D)	1	FOR MODEL (S)
* 36	885-884	ADJUSTER	1	(GREEN)
* 36A	886-736	ADJUSTER	1	(BLACK) FOR USA, CAN
37	885-885	PUSHING LEVER (B)	1	

**PARTS**

NT 50AE2

ITEM NO.	CODE NO.	DESCRIPTION	NO. USED	REMARKS
38	885-886	PUSHING LEVER (A)	1	
39	872-971	RETAINING RING (E-TYPE) FOR D3 SHAFT	1	
40	885-887	NOSE CAP	2	
* 41	885-689	TRIGGER ARM (C)	1	
* 42	881-951	ROLL PIN D2.5 X 16	1	
43	949-539	ROLL PIN D3 X 25 (10 PCS.)	1	
44	949-539	ROLL PIN D3 X 25 (10 PCS.)	1	
45	884-975	ROLL PIN D3 X 32	1	
46	884-962	VALVE BUSHING (A)	1	
47	877-763	FEED PISTON O-RING (I.D. 14)	1	
48	884-963	VALVE BUSHING (B)	1	
49	873-570	O-RING (P-18)	1	
50	676-531	O-RING (P-7)	2	
51	884-964	VALVE PISTON	1	
52	872-654	O-RING (1AP-10)	1	
53	884-966	PLUNGER SPRING	1	
54	878-888	O-RING (I.D. 1.8)	2	
* 55	885-888	PLUNGER	1	
* 55A	887-679	PLUNGER	1	FOR MODEL (S)
56	885-889	LOCK LEVER	1	
57	949-518	ROLL PIN D3 X 18 (10 PCS.)	2	
58	885-890	GUIDE PLATE	1	
59	880-413	NYLOCK HEX. SOCKET HD. BOLT M4 X 10	1	
60	885-891	BLADE GUIDE	1	
* 61	885-892	LABEL	1	
* 61A	887-751	LABEL	1	FOR MODEL (S)
62	885-893	MAGAZINE	1	
* 63	878-183	WARNING LABEL	1	FOR EUROPE
64	876-465	NYLON NUT M4	1	
65	949-685	ROLL PIN D3 X 20 (10 PCS.)	1	
66	885-894	STOP LEVER	1	
67	885-895	SPRING	1	
68	885-896	PLATE	1	
69	880-413	NYLOCK HEX. SOCKET HD. BOLT M4 X 10	1	
70	885-960	SCREW (BLACK) M4 X 25	1	
71	885-897	NAIL FEEDER	1	
72	885-898	NAIL PLATE	1	
73	885-899	FEEDER PIECE	1	
74	885-900	FEED SPRING	1	
75	885-901	MAGAZINE COVER	1	
* 76		LABEL(A) (GREEN)	1	
* 76B		LABEL(C)	1	FOR USA, CAN
* 77	884-993	TRIGGER (D)	1	FOR FIN, DEN, SWE, NOR
* 78	949-518	ROLL PIN D3 X 18 (10 PCS.)	1	FOR FIN, DEN, SWE, NOR
* 79	884-994	TRIGGER ARM SPRING	1	FOR FIN, DEN, SWE, NOR
* 79A	887-752	TRIGGER ARM SPRING	1	FOR MODEL (S)
* 80	883-513	WARNING LABEL(A)	1	FOR EUROPE
* 81	887-668	CHANGE ROD (D)	1	FOR MODEL (S)
* 82	887-681	BODY ASS'Y	1	INCLUD. 83 FOR MODEL (S)
* 83		GRIP RUBBER (A) (BLACK)	1	SUPPLIED WITH ITEM NO. 601, 602 FOR MODEL (S)

**PARTS**

NT 50AE2

ITEM NO.	CODE NO.	DESCRIPTION	NO. USED	REMARKS
* 84	887-755	TRIGGER ARM (D)	1	FOR MODEL (S)
* 85	887-673	SPRING	1	FOR MODEL (S)
* 86	887-458	ROLL PIN D3 X 10 (10 PCS.)	1	FOR MODEL (S)
* 87	887-684	CHANGE KNOB (D)	1	FOR MODEL (S)
* 88	887-756	TRIGGER (D) ASS'Y	1	INCLUD. 42, 84 FOR MODEL (S)
* 89	887-686	PUSHING LEVER GUIDE (D)	1	FOR MODEL (S)
* 90	887-675	ROLL PIN D3 X 35	1	FOR MODEL (S)

**STANDARD ACCESSORIES**

ITEM NO.	CODE NO.	DESCRIPTION	NO. USED	REMARKS
501	875-769	SAFETY GLASSES	1	
502	885-902	CASE	1	

**OPTIONAL ACCESSORIES**

ITEM NO.	CODE NO.	DESCRIPTION	NO. USED	REMARKS
601	881-768	GRIP TAPE (A)	1	
602	880-407	TAPE	2	
603	886-375	O-RING KIT	1	INCLUD. 604-610
604	885-868	GASKET	1	
605	885-871	O-RING (I.D 44.7)	1	
606	886-068	O-RING (P22.4)	1	
607	878-600	HEAD VALVE O-RING	1	
608	301-684	O-RING (S-30)	1	
609	986-374	O-RING (P-32)	1	
610		HANDLING INSTRUCTIONS	1	