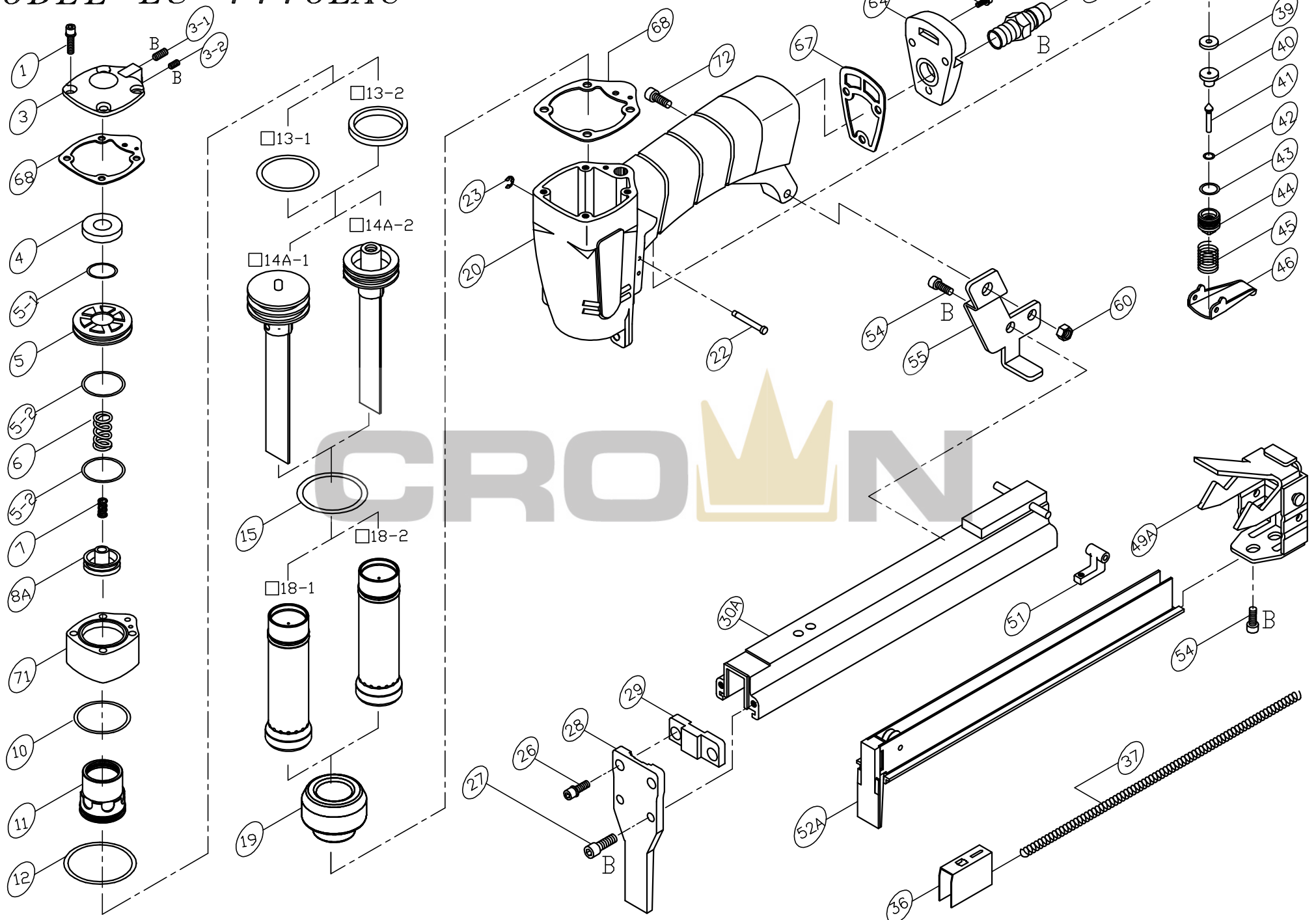


MODEL : LU-7116LAC



*B : APPLY LOCTITE 242

L20200 10/09/06

PARTS LIST (LU-7116LAC)

*WHEN ORDERING SPARE PARTS, PLEASE STATE ITEM No, PART NO. AND DESCRIPTION.

ITEM	PART NO	DESCRIPTION	QTY	ITEM	PART NO	DESCRIPTION	QTY	ITEM	PART NO	DESCRIPTION	QTY
01	HS05080BW-40	HEX. SOC. HD. BOLT+SW	4	41	12103501	TRIGGER VALVE STEM	1				
03	16800301	CAP	1	42	OR01919N	O RING**	1				
03-1	SS06100B-04	SET SCREW	1	43	OR10719N	O RING**	1				
03-2	SS03050B-04	SET SCREW	1	44	12103801	TRIGGER VALVE GUIDE	1				
04	10200501	SEAL	1	45	12103901	SPRING	1				
05	16801301	PISTON STOPPER	1	46	10203001	TRIGGER	1				
05-1	OR11824N	O RING**	1	49A	10405201A	END CORE ASM.	1				
05-2	OR27025N	O RING**	2	51	19004801	SET PLATE	1				
06	16800501	SPRING**	1	52A	18904202A	STAPLE GUIDE UNIT	1				
07	10200401	SPRING**	1	54	HS04070B-08	HEX. SOC. HD. BOLT	4				
08A	10200801A	HEAD VALVE ASM.	1	55	10405601	BRACKET	1				
10	OR31824N	O RING**	1	56	HS04070BW-16	HEX. SOC. HD. BOLT+SW	3				
11	19801901	COLLAR	1	60	LN0500N	LOCK NUT	1				
12	OR26020N	O RING**	1	64	16806401	END CAP	1				
13-1	OR17730N	O RING**	1	65	12106401	AIR PLUG	1				
13-2	11501303	PISTON RING	1	67	16806701	GASKET	1				
14A-1	18900802A	DRIVER ASSEMBLY**	1	68	16806801	GASKET**	2				
14A-2	18900804A	DRIVER ASSEMBLY**	1	71	19807101	AIR ROOM	1				
15	OR21015N	O RING**	1	72	HS05080B-16	HEX. SOC. HD. BOLT	1				
18-1	19100501	CYLINDER	1								
18-2	19100501G	CYLINDER	1								
19	19501901	BUMPER	1								
20	19602002	BODY	1								
22	10202201	STEPPED PIN	1								
23	ER0250R	E RING	1								
26	HS05080BW-18	HEX. SOC. HD. BOLT+SW	2								
27	HS04070B-12	HEX. SOC. HD. BOLT	2								
28	18903602	NOSE	1								
29	10703801	SET PLATE	1								
30A	19703801A	MAGAZINE	1								
36	10604802	PUSHER	1								
37	10404301	SPRING	1								
39	12103301	SEAL	1								
40	12103401	TRIGGER VALVE HEAD	1								