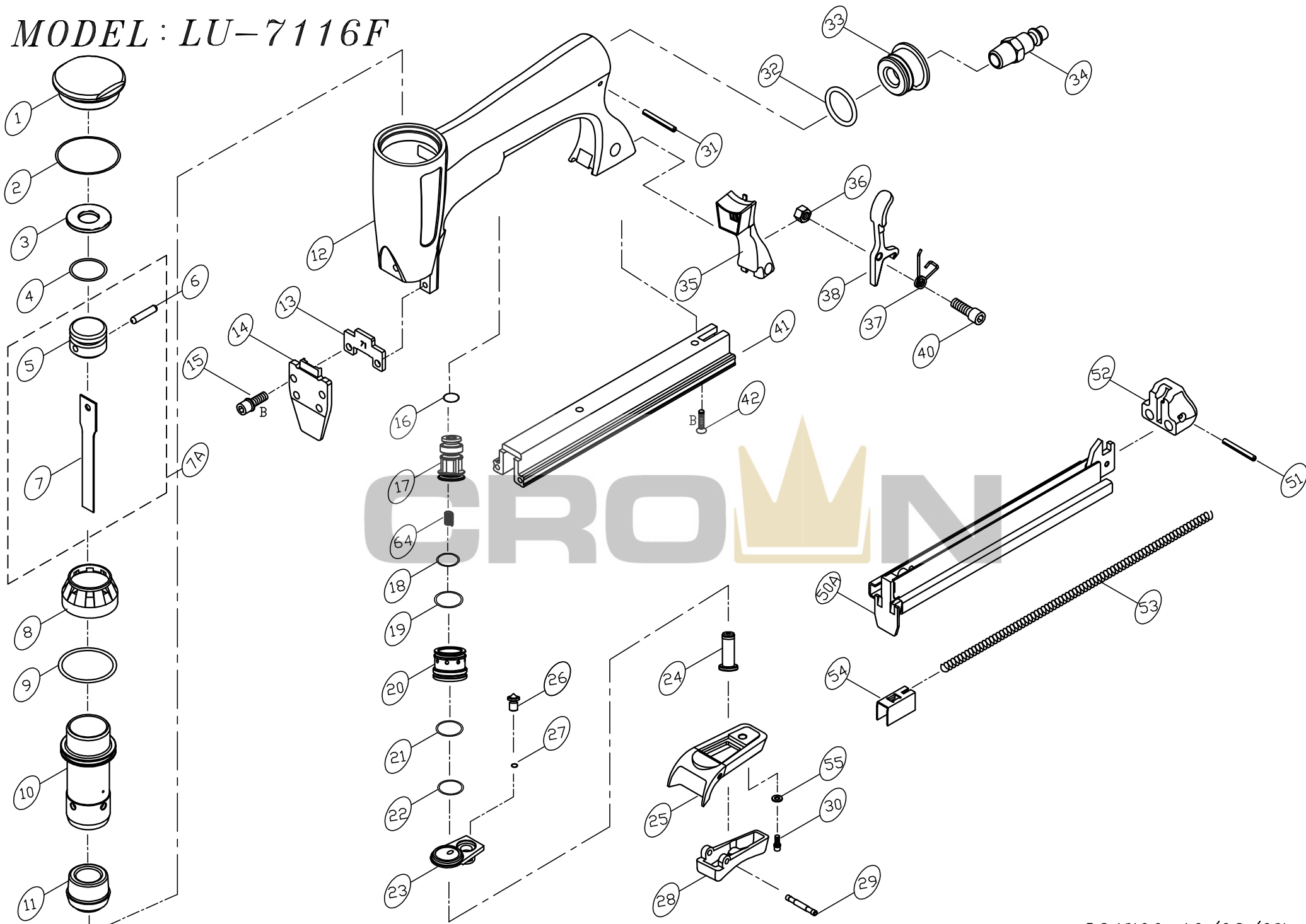


MODEL : LU-7116F



*B : APPLY LOCTITE 242

L31700 10/02/07

PARTS LIST (LU-7116F)

*WHEN ORDERING SPARE PARTS, PLEASE STATE ITEM No, PART NO. AND DESCRIPTION.

ITEM	PART NO	DESCRIPTION	QTY	ITEM	PART NO	DESCRIPTION	QTY	ITEM	PART NO	DESCRIPTION	QTY
01	31600101	CAP	1	34	12106401	AIR PLUG	1				
02	OR33026N	O RING	1	35	31603501	EXHAUST COVER	1				
03	31600301	PISTON STOPPER	1	36	LN0400N	LOCK NUT	1				
04	OR17126N	O RING	1	37	31603701	TOR SPRING	1				
05	31600501	PISTON	1	38	31603801	LATCH	1				
06	BP0418P	BALL PIN	1	40	HS04070B-25	HEX. SOC. HD. BOLT	1				
07	31700701	DRIVER	1	41	31704102	MAGAZINE	1				
07A	31700701A	DRIVER ASSEMBLY	1	42	FH04070B-10	FLAT. HD. BOLT	1				
08	31600801	COLLAR	1	50A	31705001A	STAPLE GUIDE ASSEMBLY	1				
09	OR26726N	O RING	1	51	RP2524S	ROLLED PIN	1				
10	31601001	CYLINDER	1	52	31605201	PU COVER	1				
11	31601101	BUMPER	1	53	31705301	SPRING	1				
12	31601201	BODY	1	54	31705401	PUSHER	1				
13	31701301	SET PLATE	1	55	FW040100B-08	FLAT WASHER	1				
14	31701401	NOSE	1	64	27203701	SPRING	1				
15	HS04070B-16	HEX. SOC. HD. BOLT	4								
16	OR07626N	O RING	2								
17	31601701	VALVE PLUNGER	1								
18	OR12418N	O RING	1								
19	OR15618N	O RING	1								
20	31602001	VALVE CYLINDER	1								
21	OR17313N	O RING	1								
22	OR17218N	O RING	1								
23	31602301	PLUNGER COVER	1								
24	31602401	CONNECTING TUBE	1								
25	31602501	TRIGGER BASE	1								
26	31602601	TRIGGER VALVE STEM	1								
27	OR02518N	O RING	1								
28	31602801	TRIGGER	1								
29	31602901	PIN	1								
30	HS04070B-10	HEX. SOC. HD. BOLT	1								
31	RP3025S	ROLLED PIN	1								
32	OR20326N	O RING	1								
33	31603301	END CAP	1								