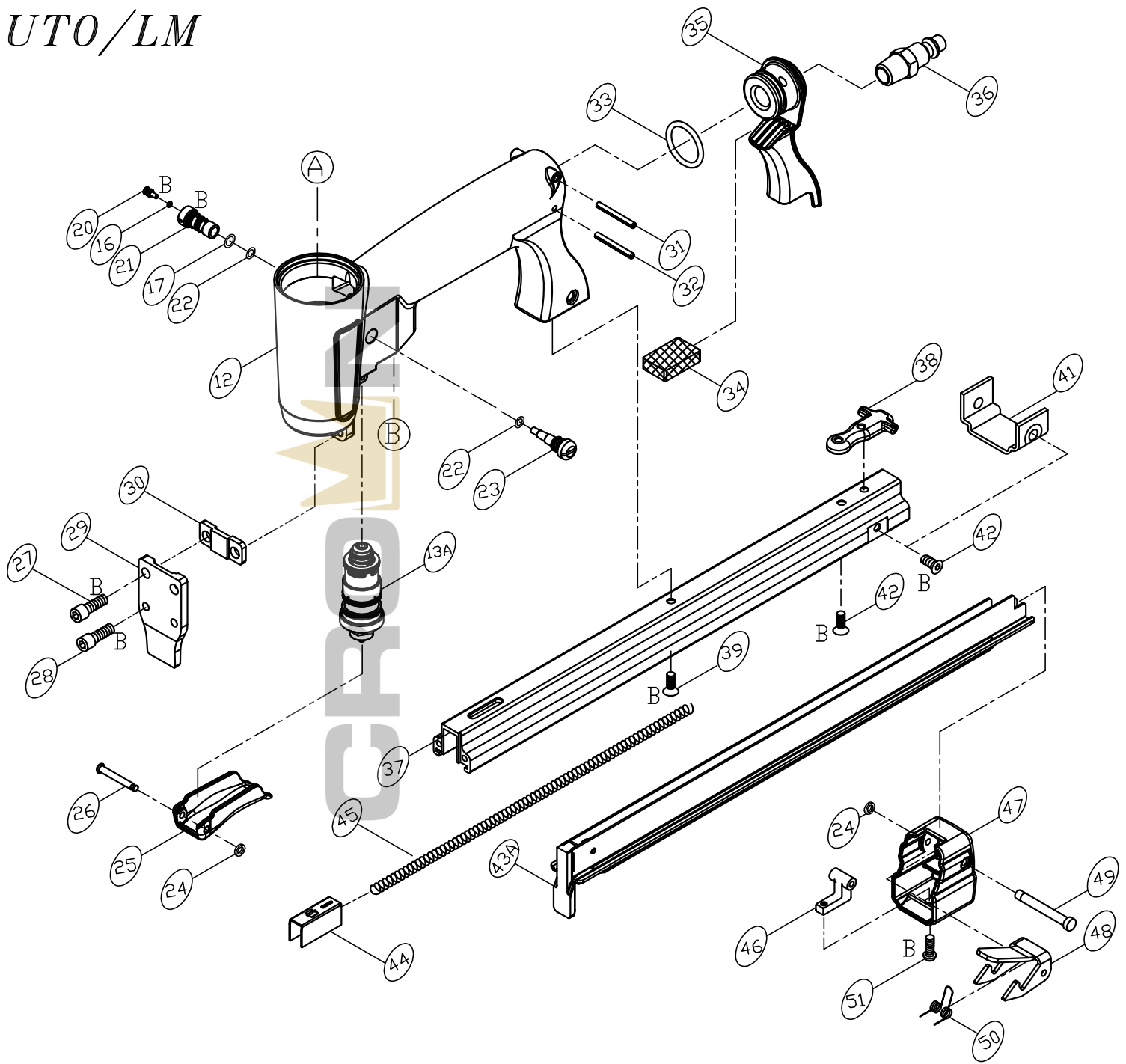
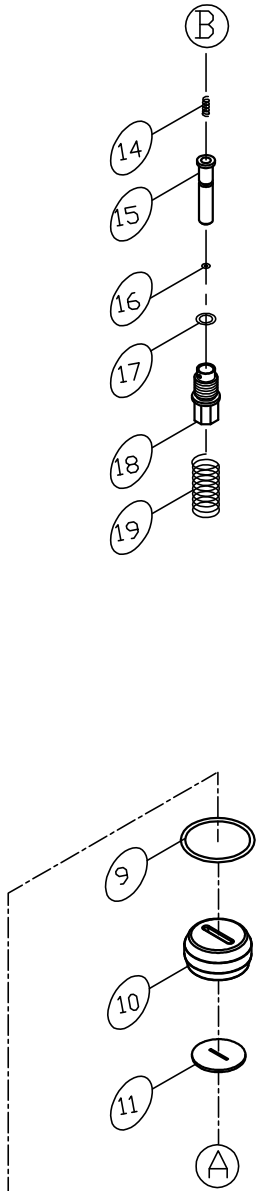
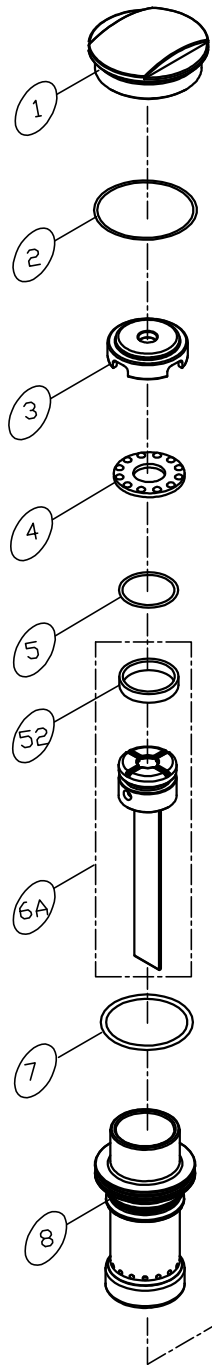


MODEL : LU-7116AUTO/LM



*B : APPLY LOCTITE 242

PARTS LIST

(LU-7116AUTO/LM)

*WHEN ORDERING SPARE PARTS, PLEASE STATE ITEM No, PART NO. AND DESCRIPTION.

| ITEM | PART NO | DESCRIPTION | QTY | ITEM | PART NO | DESCRIPTION | QTY | ITEM | PART NO | DESCRIPTION | QTY |
|------|-------------|--------------------|-----|------|-------------|-------------------|-----|------|---------|-------------|-----|
| 01 | 19000101 | CAP | 1 | 35 | 22203202 | END CAP | 1 | | | | |
| 02 | OR33026N | O RING | 1 | 36 | 12106401 | AIR PLUG | 1 | | | | |
| 03 | 20707301 | STOPPER BASE | 1 | 37 | 21003802 | MAGAZINE | 1 | | | | |
| 04 | 31600301 | PISTON STOPPER | 1 | 38 | 39101001 | SET BLOCK | 1 | | | | |
| 05 | OR17126M | O RING | 1 | 39 | FH04070B-12 | FLAT. HD. BOLT | 1 | | | | |
| 06A | 21000802A | PISTON ASSEMBLY | 1 | 41 | 10205301 | SET PLATE | 1 | | | | |
| 07 | OR33720N | O RING** | 1 | 42 | FH04070B-07 | FLAT. HD. BOLT | 4 | | | | |
| 08 | 22200501 | CYLINDER | 1 | 43A | 32405001A | STAPLE GUIDE UNIT | 1 | | | | |
| 09 | OR25020N | O RING | 1 | 44 | 10604802 | PUSHER | 1 | | | | |
| 10 | 22201901 | BUMPER | 1 | 45 | 32504601 | SPRING | 1 | | | | |
| 11 | 21007701 | WASHER | 1 | 46 | 19004801 | SET PLATE | 1 | | | | |
| 12 | 22202904 | BODY | 1 | 47 | 39100901 | END CORE | 1 | | | | |
| 13A | 20701002A | SWITCH ASSEMBLY | 1 | 48 | 11606101 | STOPPER | 1 | | | | |
| 14 | 16309101 | SPRING | 1 | 49 | 11103201 | STEPPED PIN | 1 | | | | |
| 15 | 20706401 | PLUNGER | 1 | 50 | 11306001 | TOR. SPRING | 1 | | | | |
| 16 | OR02510N | O RING** | 2 | 51 | US04070B-10 | UM. HD. BOLT | 2 | | | | |
| 17 | OR06010M | O RING** | 2 | 52 | 31605701 | CYLINDER SEAL | 1 | | | | |
| 18 | 20706501 | PLUNGER CAP | 1 | | | | | | | | |
| 19 | 20706601 | SPRING | 1 | | | | | | | | |
| 20 | 22206701 | PILOT VALVE | 1 | | | | | | | | |
| 21 | 20706701 | SLEEVE | 1 | | | | | | | | |
| 22 | OR05010N | O RING** | 2 | | | | | | | | |
| 23 | 20706901 | PILOT | 1 | | | | | | | | |
| 24 | OR01919N | O RING** | 2 | | | | | | | | |
| 25 | 22202602 | | 1 | | | | | | | | |
| 26 | 18602701 | SHAFT | 1 | | | | | | | | |
| 27 | HS05080B-18 | HEX. SOC. HD. BOLT | 2 | | | | | | | | |
| 28 | HS04070B-16 | HEX. SOC. HD. BOLT | 2 | | | | | | | | |
| 29 | 21003601 | NOSE | 1 | | | | | | | | |
| 30 | 10703801 | SET PLATE | 1 | | | | | | | | |
| 31 | RP3028S | ROLLED PIN | 1 | | | | | | | | |
| 32 | RP3025S | ROLLED PIN | 1 | | | | | | | | |
| 33 | OR20326N | O RING | 1 | | | | | | | | |
| 34 | 22203301 | MUFFLER | 1 | | | | | | | | |