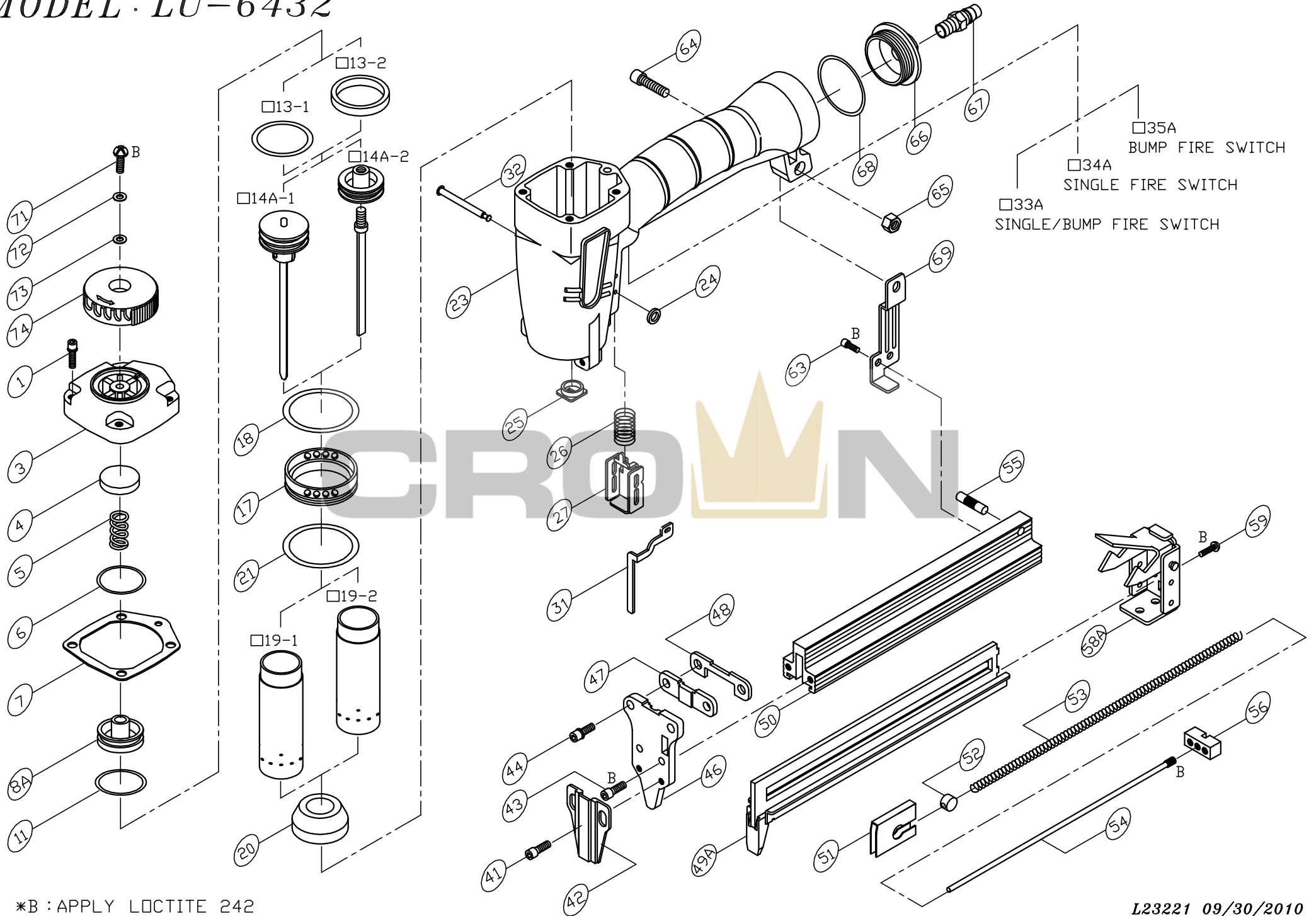


MODEL : LU-6432



*B : APPLY LOCTITE 242

L23221 09/30/2010

PARTS LIST (LU-6432)

*WHEN ORDERING SPARE PARTS, PLEASE STATE ITEM No, PART NO. AND DESCRIPTION.

ITEM	PART NO	DESCRIPTION	QTY	ITEM	PART NO	DESCRIPTION	QTY	ITEM	PART NO	DESCRIPTION	QTY
01	HS05080BW-16	HEX. SOC. HD. BOLT+SW	4	51	20805101	PUSHER	1				
03	11100302	CAP	1	52	23205201	SLIDE BLOCK	1				
04	12100401	SEAL**	1	53	11305301	SPRING**	1				
05	12100501	SPRING**	1	54	23205401	ROD	1				
06	OR13824N	O RING**	1	55	11305501	SHAFT	1				
07	11100701	CAP SEAL**	1	56	11305601	SET BLOCK	1				
08A	12100801A	HEAD VALVE ASM.	1	58A	11605801A	END CORE ASM.	1				
11	OR31824N	O RING**	1	59	US05080B-10	UM. HD. BOLT	2				
13-1	OR22431N	O RING**	1	63	HS04070B-10	HEX. SOC. HD. BOLT	2				
13-2	11001303	PISTON RING	1	64	HS05080B-16	HEX. SOC. HD. BOLT	1				
14A-1	11301401A	DRIVER ASSEMBLY**	1	65	LN0500N	LOCK NUT	1				
14A-2	11301402A	DRIVER ASSEMBLY**	1	66	11106601	COVER	1				
17	11101903	COLLAR	1	67	12106401	AIR PLUG	1				
18	OR44431N	O RING**	1	68	OR40030N	O RING**	1				
19-1	11101902	CYLINDER	1	69	11306902	BRACKET	1				
19-2	11101902G	CYLINDER	1	71	US05080B-06	UM. HD. BOLT	1				
20	11002001	BUMPER**	1	72	FW050120B-08	FLAT WASHER	1				
21	OR28318N	O RING**	1	73	12103301	SEAL	1				
23	11102309	BODY	1	74	13907403	EXHAUST COVER	1				
24	OR01919N	O RING**	2								
25	10902501	JOINT GUIDE	1								
26	11002601	SPRING	1								
27	11002702	GUIDE SAFETY LEVER	1								
31	11303101	SAFETY LEVER	1								
32	11103201	STEPPED PIN	2								
41	HS04070B-06	HEX. SOC. HD. BOLT	2								
42	11304201	NOSE COVER	1								
43	HS04070B-12	HEX. SOC. HD. BOLT	2								
44	HS05080BW-25	HEX. SOC. HD. BOLT+SW	2								
46	11304601	NOSE	1								
47	11304701	SET PLATE	1								
48	12104501	SET PLATE	1								
49A	23204902A	STAPLE GUIDE UNIT	1								
50	23205002	MAGAZINE	1								