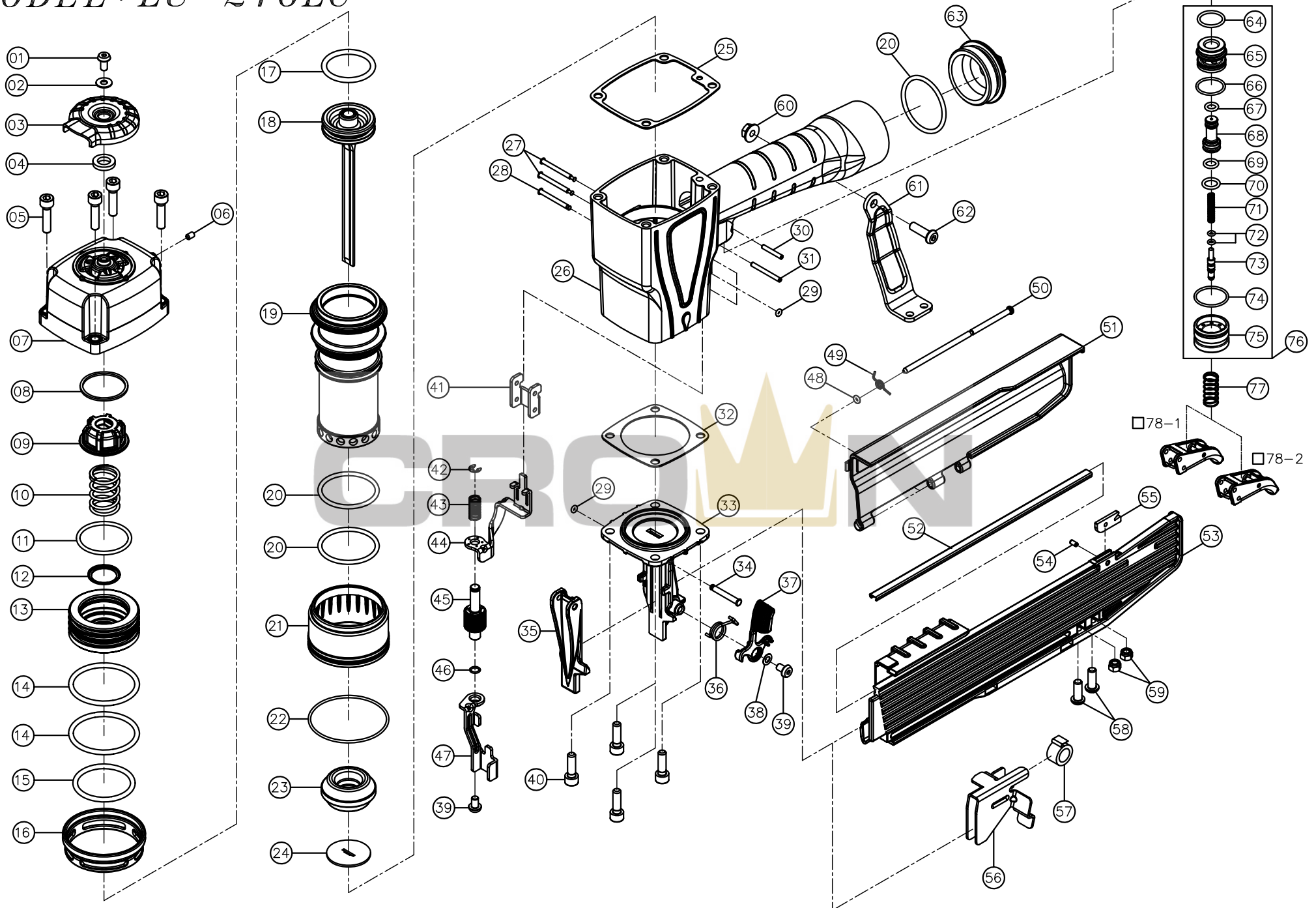


MODEL : LU-216LC



*B : APPLY LOCTITE 242

L41001 01/19/2012

PARTS LIST (LU-216LC)

*WHEN ORDERING SPARE PARTS, PLEASE STATE ITEM No, PART NO. AND DESCRIPTION.

ITEM	PART NO	DESCRIPTION	QTY	ITEM	PART NO	DESCRIPTION	QTY	ITEM	PART NO	DESCRIPTION	QTY
01	US05080L-10	UM.HD.BOLT	1	35	41000701	NOSE COVER, QUICK RELEASE	1	69	OR06819M	O RING**	1
02	FW050120B-10	FLAT WASHER	1	36	41001401	LATCH SPRING	1	70	OR08819N	O RING**	1
03	41001001	EXHAUST COVER, METAL	1	37	41001301	LATCH	1	71	15108301	SPRING	1
04	15300401	PU RING	1	38	FW050100B-05	FLAT WASHER	1	72	OR02514M	O RING**	2
05	HS06100L-25	HEX.SOC.HD.BOLT	4	39	US05080B-08	UM.HD.BOLT	2	73	23304501	PLUNGER	1
06	SS04070B-06	SET SCREW	1	40	HS06100B-20	HEX.SOC.HD.BOLT	4	74	OR21015N	O RING**	1
07	41000101	CAP	1	41	25203201	GUIDE SAFETY LEVER	1	75	23303801	TRIGGER VALVE CAP	1
08	38301001	SPACER	1	42	ER0400R	E RING	1	76	23303804A	TRIGGER VALVE ASSEMBLY^	1
09	38300501	PISTON STOP	1	43	41001201	COMPRESSION SPRING	1	77	16305401	SPRING	1
10	38300301	COMPRESSION SPRING	1	44	41000801	UPPER SAFETY LEVER	1	78-1	34903501A	SEQUENTIAL FIRE TRIGGER	1
11	OR36226N	O RING**	1	45	41000901	SAFETY LEVER ROLLER WHEEL	1	78-2	34903502A	BUMP FIRE TRIGGER	1
12	41000201	SPACER	1	46	OR06010M	O RING**	1				
13	38300401	PISTON HEAD VALVE	1	47	41001101	SAFETY LEVER	1				
14	OR46035N	O RING**	2	48	OR02519N	O RING	1				
15	OR39735N	O RING**	1	49	34902501	SPRING	1				
16	38300601	COLLAR	1	50	34903301	STEP PIN	1				
17	OR33037N	O RING**	1	51	41001601	MAGAZINE COVER	1				
18	41000401A	DRIVER ASSEMBLY	1	52	34902701	SLIDE PLATE	1				
19	41000301	CYLINDER	1	53	41001501	MAGAZINE	1				
20	OR40030N	O RING**	3	54	RP3006S	ROLLED PIN	1				
21	34904201	CYLINDER SPACER	1	55	41001801	STOPPER	1				
22	OR56718N	O RING**	1	56	41001701	PUSHER	1				
23	41002001	BUMPER	1	57	40702901	SPRING	1				
24	15302301	WASHER	1	58	US05080B-16	UM.HD.BOLT	2				
25	34903901	CYLINDER CAP SEAL	1	59	LN0500N	LOCK NUT	2				
26	41000501	BODY	1	60	LN0600NB	LOCK NUT	1				
27	16102902	STEPPED PIN	2	61	41001901	BRACKET	1				
28	11103201	STEPPED PIN	1	62	US06100B-20	UM.HD.BOLT	1				
29	OR01919N	O RING**	4	63	11106601	COVER	1				
30	RP3022S	ROLLED PIN	1	64	OR15618N	O RING**	1				
31	RP3030S	ROLLED PIN	1	65	23303501	TRIGGER VALVE	1				
32	34904001	GASKET**	1	66	OR17515N	O RING**	1				
33	41000601	NOSE, QUICK RELEASE	1	67	OR05819N	O RING**	1				
34	15305301	STEPPED PIN	1	68	23304103	VALVE PLUNGER	1				