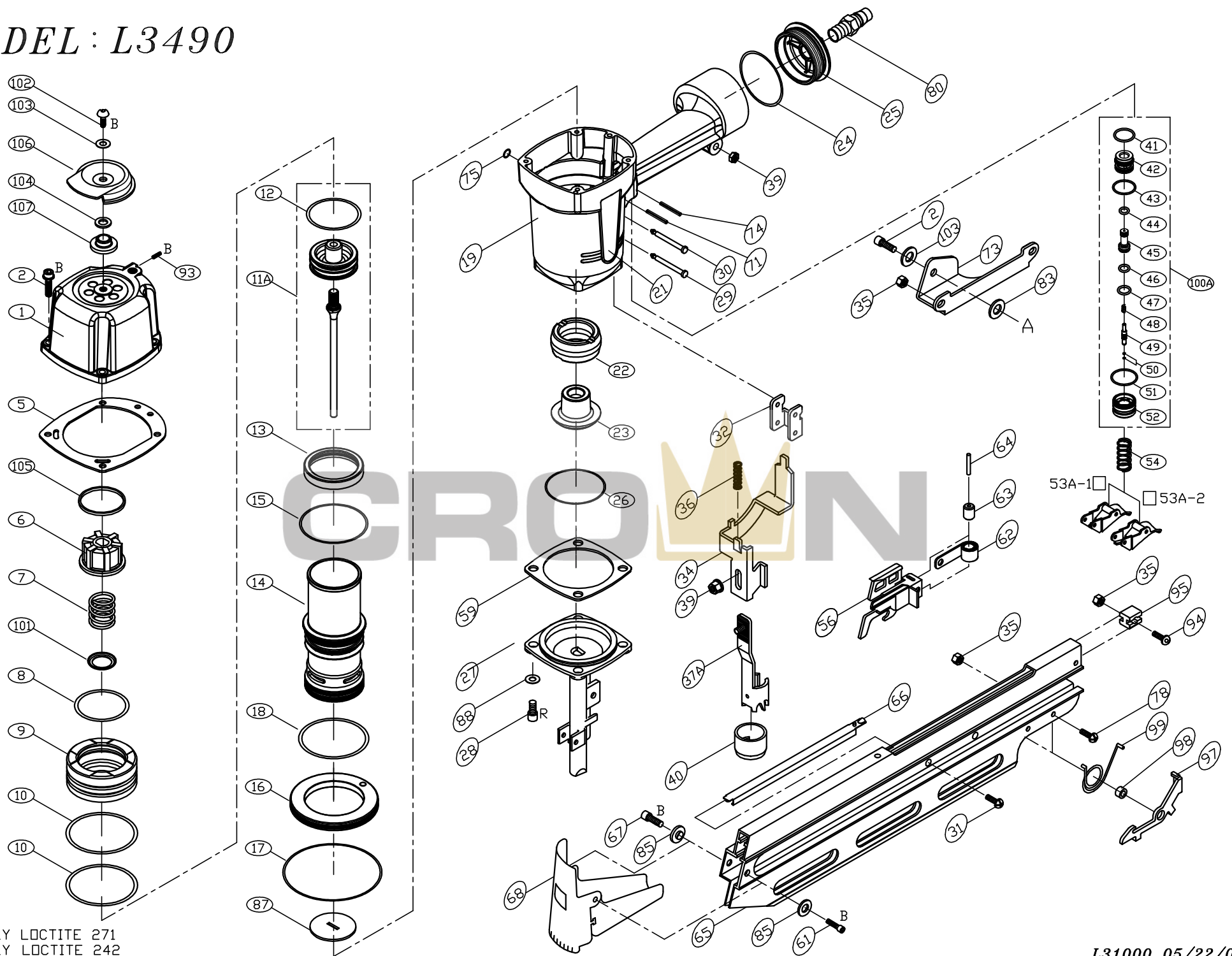


# MODEL : L3490



\*R : APPLY LOCTITE 271  
\*B : APPLY LOCTITE 242

## PARTS LIST (L3490)

\*WHEN ORDERING SPARE PARTS, PLEASE STATE ITEM No, PART NO. AND DESCRIPTION.

ITEM	PART NO	DESCRIPTION	QTY	ITEM	PART NO	DESCRIPTION	QTY	ITEM	PART NO	DESCRIPTION	QTY
001	25400101	CYLINDER CAP UNIT	1	040	16104001	RUBBER PAD	1	087	16208701	WASHER	1
002	HS0630BW	HEX. SOC. HD. BOLT+SW	5	041	OR15618N	O RING	1	088	SW0800W	SPRING WASHER	4
005	23300501	CYLINDER CAP SEAL	1	042	23303501	TRIGGER VALVE	1	093	SS06100B-06	SET SCREW	1
006	25400601	PISTON STOP	1	043	OR17515N	O RING**	1	094	US05080B-20	UM. HD. BOLT	1
007	23300701	COMPRESSION SPRING	1	044	OR05819N	O RING**	1	095	16109201	MAGAZINE BLOCK	1
008	OR41630N	O RING**	1	045	23304101	VALVE PLUNGER	1	097	30809701	RELEASER	1
009	25400902	HEAD VALVE PISTON	1	046	OR06819N	O RING**	1	098	16109801	ROLLER	1
010	OR56830N	O RING**	2	047	OR08819N	O RING**	1	099	16109901	SPRING	1
011A	31001101A	DRIVER ASSEMBLY**	1	048	15108301	SPRING	1	100A	23303801A	BUMP FIRE TRIGGER KIT	1
012	OR42749V	PISTON O RING**	1	049	23304501	PLUNGER	1	101	23310101	HEAD VALVE WASHER	1
013	23301301	CYLINDER SEAL	1	050	OR02514V	O RING**	2	102	US06100B-20	UM. HD. BOLT	1
014	25401401M	CYLINDER	1	051	OR21015N	O RING**	1	103	FW060130B-10	FLAT WASHER	2
015	OR56531N	O RING**	1	052	23303801	TRIGGER VALVE CAP	1	104	15108501	PU RING	1
016	23301601	CYLINDER RING	1	053A-1	30805301A	SEQUENTIAL FIRE TRIGGER	1	105	25409801	COLLAR	1
017	OR84431N	O RING**	1	053A-2	30805302A	BUMP FIRE TRIGGER	1	106	15100202	EXHAUST COVER	1
018	OR55657N	O RING**	1	054	16305401	SPRING	1	107	25310001	SLEEVE	1
019	23301901	BODY	1	056	16305601	PUSHER	1				
021	23302101	PLASTIC LABEL	2	059	16105901	GASKET**	1				
022	23304801	BUMPER"A"	1	061	HS06100B-12	HEX. SOC. HD. BOLT	1				
023	23304901	BUMPER"B"	1	062	16106201	SPIRAL SPRING**	1				
024	OR54431N	O RING**	1	063	16106301	ROLLER	1				
025	23302501	END CAP	1	064	BP0428P	BALL PIN	1				
026	OR56718N	O RING**	1	065	16306501	MAGAZINE	1				
027	16302701	NOSE	1	066	16206601	NAIL GUIDE LINER	1				
028	HS08125B-30	HEX. SOC. HD. BOLT	4	067	HS06100B-18	HEX. SOC. HD. BOLT	1				
029	23302701	STEPPED PIN	2	068	16106802	DEBRIS SHIELD	1				
030	16102902	STEPPED PIN	1	071	RP3030S	ROLLED PIN	1				
031	US05080B-12	UM. HD. BOLT	2	073	31007301	BRACKET	1				
032	30803201	GUIDE SAFETY LEVER	1	074	RP3020S	ROLLED PIN	1				
034	31003401	UPPER SAFETY LEVER	1	075	OR01919N	O RING**	3				
035	LN0500N	LOCK NUT	4	078	US05080B-16	UM. HD. BOLT	1				
036	16103601	SPRING	1	080	16108001	AIR PLUG	1				
037A	30803701A	SAFETY LEVER	1	083	GW0800W	GASKET WASHER	1				
039	LN0600NB	LOCK NUT	2	085	16108501	SPACER	2				