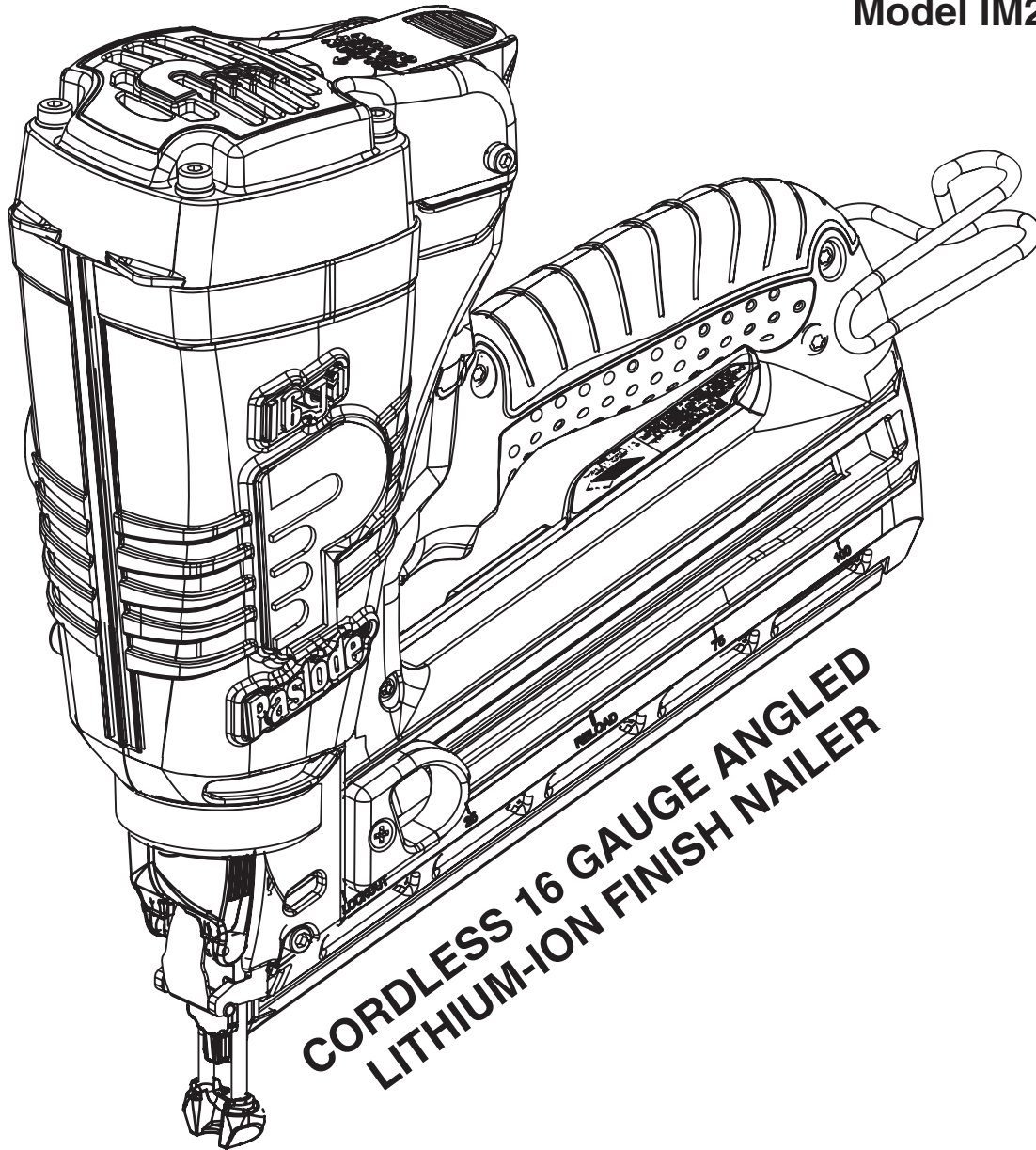




Part No. 902400

Model IM250A Li



**CORDLESS 16 GAUGE ANGLED
LITHIUM-ION FINISH NAILER**

**IMPORTANT!
DO NOT DESTROY**

Always refer to operating manual #902451 for detailed information on this tool. It is the customer's responsibility to have all operators and service personnel read and understand this information.

TOOL SCHEMATIC AND PARTS

PARTS LEGEND Cordless 16 ga. Angled Lithium-ion Finish Nailer, 902400

1	904555	1	Grille	50	902401	1	Handle/Right
*2	900648	1	Filter	51	902230	1	Pin-Fuel Door
3	901064	4	Shoulder Screw 8-32 x 1-3/8"	52	904544	1	Dosing Lever
4	902446	1	Cap	53	904550	1	Fuel Door
5	904557	2	Screw, SHC	54	902235	1	Retaining Ring-Pin-Fuel Door
6	901119	1	Retaining Ring	55	902434	1	Nut-Utility Hook
7	901112	1	Fan Motor Assembly with ring	56	902433	1	Button
*8	401356	1	Motor Sleeve	57	902431	1	Block-Utility Hook
9	900785	1	Insulator	58	902432	1	Spring
10	900714	1	Spark Plug Assembly	59	902435	1	Stop Utility Hook
11	904504	1	Cylinder Head	60	902430	1	Utility Hook
12	904517	1	Fuel Barb	61	901044	1	Soft Grip
13	904546	1	Fuel Tube	62	902440	1	Spark Unit (MSU)
14	902406	1	Fuel Block	63	900662	1	ESU Power Wire Assembly
15	904521	1	Pivot Arm	64	904562	1	Fan Motor Wire Assembly
16	900596	1	SEMS Screw, Torx	65	902458	1	Nameplate
17	900739	1	Cylinder Head Circuit Board Assembly	66	902621	1	Battery Pad
18	900612	4	Seal Ring	67	902439	1	Molded circuit assembly
19	900709	1	Fan Assembly	68	900726	1	Switch Slide Assembly
20	900700	1	Air Dam	69	900792	2	Soc. Hd. Shoulder Screw 8-32
21	900729	1	Combustion Chamber	70	404702	2	Screw 6-32 x 3/8'
22	900707	2	Probe Bumper	71	904567	1	Spark Wire Assembly
23	900746	2	Screw, #8-32 x 7/16	72	901053	1	Trigger Spring
24	900704	1	Yoke	73	901045	1	Trigger Body
25	900734	1	Roll Pin	74	901047	1	Dowel pin, Trigger
26	900804	2	Spring Guide Assembly	75	900629	1	Clip/ High Tention
27	902437	1	Knob w/ Yoke Guide Assembly	76	900770	1	Brad Channel
28	902424	1	Probe	77	902404	1	Magazine Extrusion
*29	902425	1	Probe Tip	78	902421	1	Nose
30	900688	1	Latch Cover, Quick Clear	79	900631	1	Spring, Lockout
31	900619	1	Dowel Pin	80	900602	1	Lockout Bar
32	902422	1	Front Plate	81	900630	1	Lockout Pin
33	900685	1	Dowel Pin	■ 82	900660	2	Screw 10-32 x 3/8"
34	902426	1	Quick Clear Lever Assembly	83	900692	1	Retaining Cup
35	405140	4	Screw 8-32 x 3/8" (red)	84	900708	2	SHC Screw 8-32 x 1/2" (Red)
36	900668	1	Muffler Cover	85	904550	1	SHC Screw 8-32 x 1/2" (Yellow)
37	900609	1	Muffler	86	900722	1	Follower Pin
38	900664	1	Reed Valve	87	900679	1	Follower
39	900665	1	Reed Plate	88	900691	1	Compression Spring
40	901089	1	Exhaust Baffle	89	900627	1	Negator Spring
41	900616	1	Exhaust O-Ring	90	900720	1	Follower Core
42	403099	1	Retaining Ring	91	900617	1	Follower Body
43	403098	1	Piston Ring	92	900724	1	Screw, Plastite 8-16 x 5/8"
*44	900728	1	Piston Assembly	93	901066	4	Screw, Plastite 8-16 x 3/4"
*45	900680	1	Piston Bumper	94	902417	1	Nail Load Indicator Label
46	902402	1	Label, Li-ion+Fuel	95	902441	2	Logo Label "16 Ga."
**47	902444	1	Warning & Instruction Label	96	902442	2	Logo Label "P"
48	902416	1	Depth of Drive Indicator Label	97	902443	2	Logo Label "Paslode"
49	900620	1	Front Channel	98	902403	1	Handle, Left
				99	902456	1	Cyliner sleeve assembly

- * Indicates normal wear items
- ** Make sure Warning Label (902444) is properly affixed replace if necessary. Label is available at no charge through the Service Dept.
- Denotes New Change
- Apply Loctite RC-620 (Green) Part No. 401491

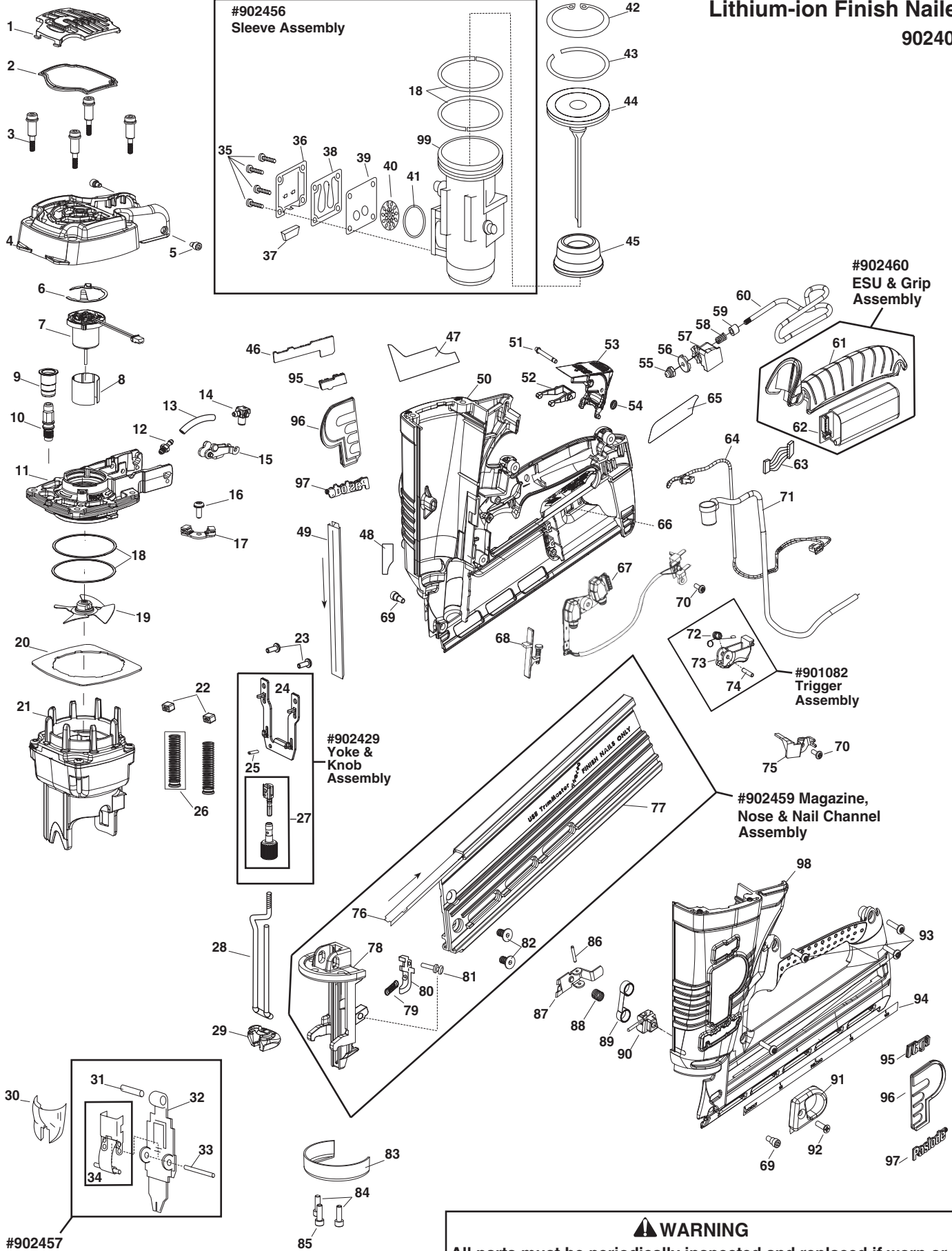
SAFETY INSTRUCTIONS

WEAR EYE AND HEARING PROTECTION



Always wear hearing protection and eye protection devices, including side shields when operating or working in the vicinity of a tool.

**Cordless 16 ga. Angled
Lithium-ion Finish Nailer**
902400



⚠ WARNING
All parts must be periodically inspected and replaced if worn or broken. Failure to do this can affect the tool's operation and present a safety hazard.

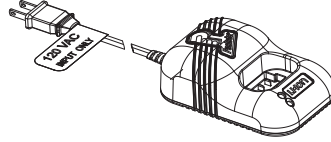
ACCESSORIES

Battery



Part No. 902654

Battery Charger



Part No. 902667

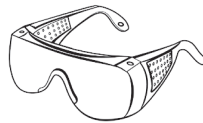
9/64" Hex Key



For cleaning tool.

Part No. 900736

Clear Safety Glasses



Part No. 401382

Tool Cleaner



Ideal cleaner for all Paslode® tools.

Part No. 219348

Paslode Cordless Lubricating Oil



Specially formulated for use in Paslode® Cordless tools.

Part No. 401482

Carrying Case



Part No. 902445

Green Loctite

Part No. 401491

Bumper Removal Tool

Part No. 900760

 **Paslode**[®]
An Illinois Tool Works Company
888 Forest Edge Drive
Vernon Hills, Illinois 60061
www.paslode.com