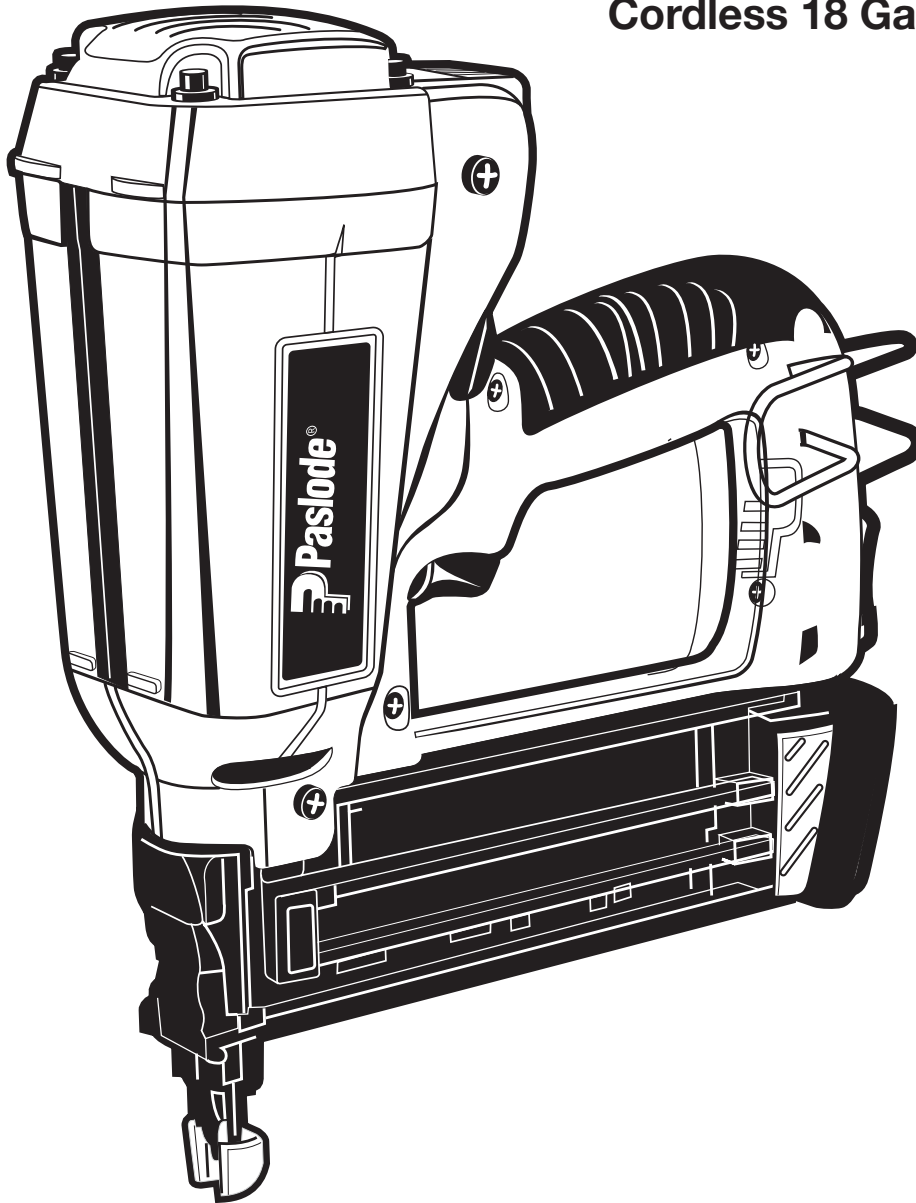


Cordless 18 Gauge Brad Nailer



www.crownpartsglobal.com

**IMPORTANT!
DO NOT DESTROY**

Always refer to operators manual #901070 for detailed information on this tool. It is the customers responsibility to have all operators and service personnel read and understand this information.

TOOL SCHEMATIC AND PARTS

PARTS LEGEND

901000

1	900640	1	Grille	57	901100	1	Nameplate
* 2	900648	1	Filter	58	404385	1	Light Pipe
3	901064	4	S.H.C.S. 8-32 x 1-3/8"	59	901079	1	Handle Right Side
4	900785	1	Spark Plug Sleeve	60	900289	1	Belt Hook
5	900639	1	Cap	61	901019	1	Torsion Spring Magazine Latch
6	901119	1	Retaining Ring	62	900353	1	Pivot Pin
8	901382	1	Fan Motor Assembly with ring	63	901014	1	Magazine Latch Release
*13	401356	1	Motor Sleeve	64	901061	2	Screw 6-32 x 3/16 BH
14	900714	1	Spark Plug Assembly	66	901013	1	Magazine End Cap
15	900674	1	Wire Clip	**67	900496	1	Warning Label
16	900697	1	Stem Adapter	68	900508	1	International Label
17	405140	4	Screw 8-32 x 7/16" (red)	69	404922	2	Battery Contact Pad
18	900596	1	Screw, Sem 8-32 x 7/16"	70	901095	1	Switch Side Assembly
19	900739	1	Cylinder Head Circuit Board Assembly	71	900754	2	Screw 8-32 x 1/2" (yellow)
20	900605	1	Cylinder Head	72	901032	2	Bushing, Handle
21	900612	4	Seal Ring	73	901084	1	Magazine Wear Strip Assembly
22	900709	1	Fan Assembly	■74	900660	2	Screw 10-32 x 3/8"
23	900700	1	Air Dam	75	901062	1	Screw 6-32 x 1/8"
24	900729	1	Combustion Chamber Assembly	76	901012	1	Magazine Cover
25	900746	2	Screw 8-32 x 7/16 phtx	77	901015	1	Follower
26	901038	1	Spring	78	901018	1	Magazine Pin
27	901037	1	Yoke	79	901055	1	O-ring
28	901039	1	Yoke Support	80	901052	1	Spring Cover
29	901029	1	Yoke Guide	81	901016	1	Constant Force Spring
30	900734	1	Roll Pin	82	901017	1	Spool Spring
31	900645	1	Ball, Knob	83	900748	1	Washer
32	900361	1	Retaining Clip	84	900735	1	Screw
33	900727	1	Knob Assembly	85	901080	1	Handle Left Side
34	901009	1	Latch Cover Quick Clear	86	901066	4	Screw- Plastite
35	900685	1	Spring Pin	87	900703	1	Handle Bracket
36	901005	1	Latch Clip	88	900755	1	Bushing Actuator
37	901049	1	Spring Pin	89	900788	1	Actuator Assembly
38	901006	1	Spring Clip Assembly	90	404433	1	Pin Actuator
39	901002	1	Front Plate	91	900765	1	Spark Plug Wire Assembly
40	901048	1	Probe Tip	92	900663	1	Fan Wire Assembly
41	901007	1	Probe	93	901050	1	Molded Circuit Assembly
42	901026	2	Screw 10-24 x .75	*94	901021	1	Piston Bumper
43	901003	1	Back Plate	*95	901078	1	Piston Assembly
44	901025	1	Support Pin	96	901040	1	Piston Ring
45	901004	1	Front Plate Support	97	901036	1	Retaining Ring
46	901081	1	Sleeve Assembly	98	901044	1	Soft Grip
47	900616	1	O-Ring	99	900672	1	Electronic Spark Unit
48	901089	1	Exhaust Baffle	100	900662	1	ESU Power Wire Assembly
49	900665	1	Reed Plate	101	901045	1	Trigger
50	900664	1	Reed Valve	103	901047	1	Trigger Pin
51	900609	1	Muffler	104	901053	1	Trigger Spring
52	900668	1	Muffler Cover	105	404702	3	Screw 6-32 x 3/8"
54	901059	1	Front Channel	106	900629	1	HighTension Clip
55	900598	2	Screw 10-32 x 5/16" (red)	107	903004	1	Contact Positive
56	901111	2	Housing Label	108	903003	1	Contact Negative
				109	901041	1	Wear Strip

- * Denotes Normal Wear Items
- Apply Loctite RC-620 (Green) Part No.401491
- ** Make sure Warning Label (900496) is properly affixed replace if necessary.
- Label is available at no charge through the Service Dept.
- Denotes Change

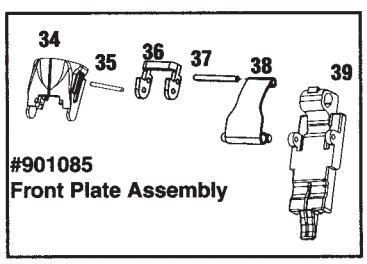
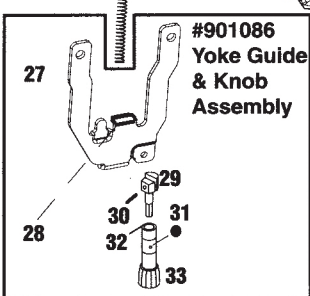
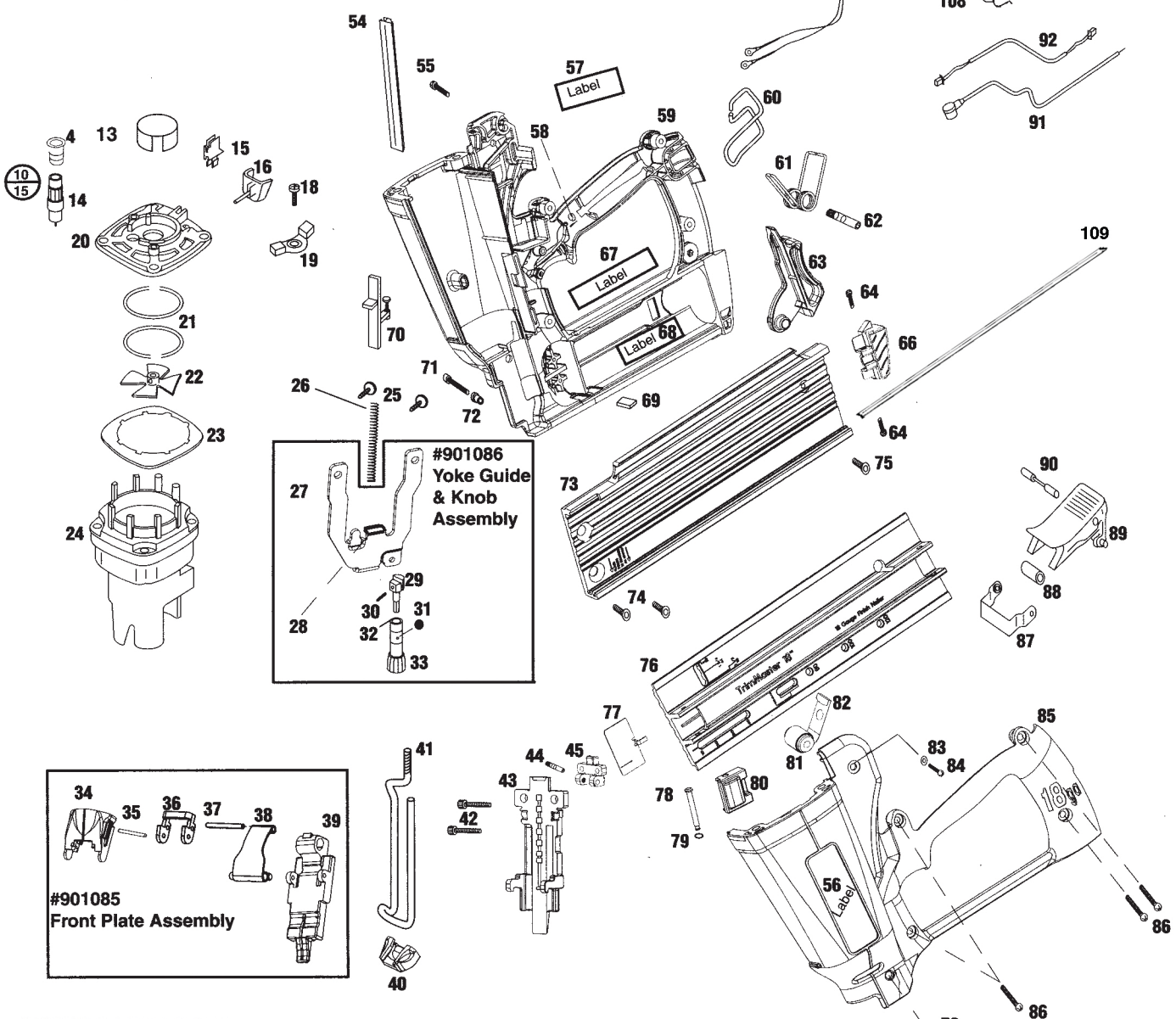
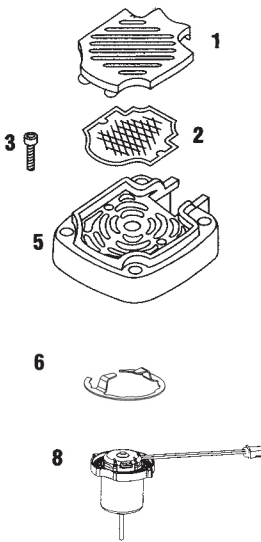
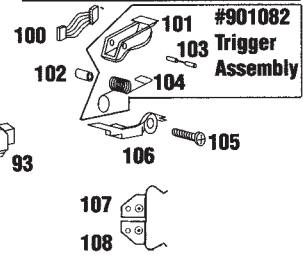
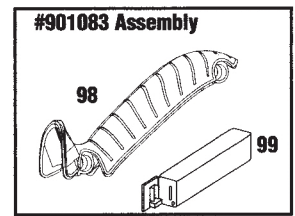
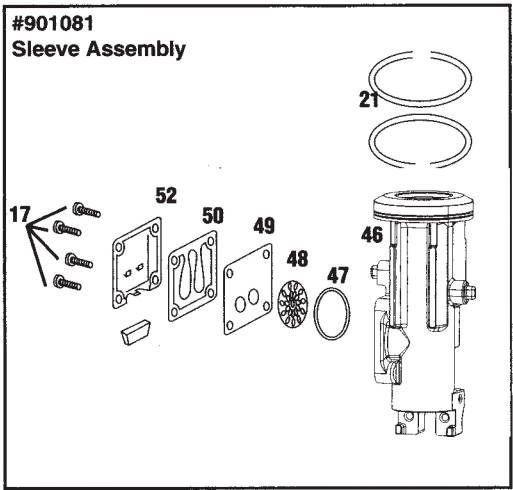
SAFETY INSTRUCTIONS

WEAR EYE AND HEARING PROTECTION



Always wear hearing protection and eye protection devices, including side shields when operating or working in the vicinity of a tool.





TORQUE VALUES

MIN	IN/LBS
MAX	

⚠ WARNING
 All parts must be periodically inspected and replaced if worn or broken. Failure to do this can affect the tool's operation and present a safety hazard.

ACCESSORIES

Carrying Case

Part No. 901058

Battery



Part No. 404717

Paslode Cordless Lubricating Oil



Part No. 401482

Torx Key - T7

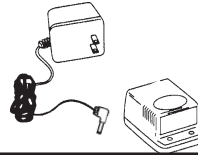
For tightening fan blade to motor

Part No. 900183

Battery Charger Kit

(Replacement Charger Base only Part No. 901230)

(Replacement Transformer Only Part No. 900477)



Part No. 900200

Clear Safety Glasses



Part No. 401382

Tool Cleaner

Ideal cleaner for all Paslode tools



Part No. 219348

Service Tool Kit

A 19 piece tool kit containing all the necessary tools to repair any Impulse tool.

Part No. 401498

No- Mar Tip - Hard Tip No- Mar Tip - Soft Tip

Part No. 901048

Part No. 901067

High Altitude Fuel Cell Valve - 4 pack

For use in elevations above 4000 feet.

Part No. 219247

 **Paslode**[®]
An Illinois Tool Works Company
888 Forest Edge Drive
Vernon Hills, Illinois 60061