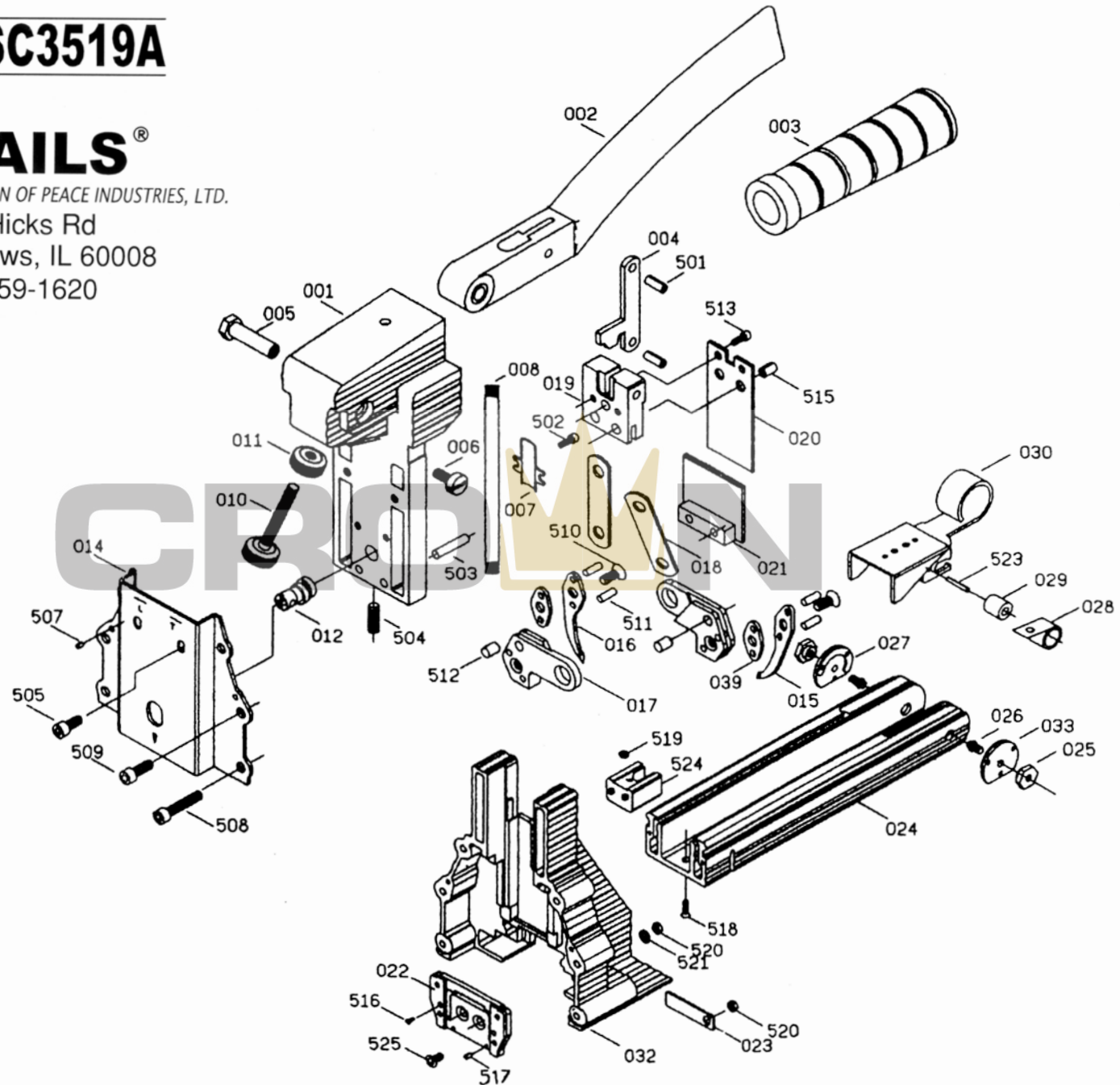


MODEL HSC3519A

SPOTNAILS®

DIVISION OF PEACE INDUSTRIES, LTD.

1100 Hicks Rd
Rolling Meadows, IL 60008
Phone : 847-259-1620



SPOTNAILS MODEL HSC3519A

Ref No.	Part No.	Description
01	P-01287	Body
02	P-96158	Handle
03	P-96159	Handle Sleeve
04	P-96160	Link
05	P-07398	Pivot Pin
06	P-24541	Pivot Screw
07	P-12519	Cover
08	P-18506	Spring
10	P-24525	Adjustment Screw
11	P-26177	Adjustment Nut
12	P-16018	Adjusting Rod
14	P-10323	Front Plate
15	P-31064	Right Anvil
16	P-31065	Left Anvil
17	P-31066	Anvil Holder
18	P-31067	Anvil Link
19	P-96146	Block
20	P-06266	Driver
21	P-96148	Cover Unit
22	P-96149	Driver Guide Unit
23	P-96153	Plate
24	P-12517	Magazine
25	P-26176	Rod Nut
26	P-16020	Rod Unit
27	P-96155	Right Pusher Guide
28	P-18507	Spring
29	P-96157	Roller

Ref No.	Part No.	Description
30	P-09224	Pusher Unit
32	P-12521	Magazine Seat
33	P-96156	Left Pusher Guide
39	P-32246	Washer
501	P-07399	Spring Pin
502	P-24526	Hex Socket Head Bolt
503	P-96154	Rod
504	P-24527	Set Screw
505	P-24528	Hex Socket Head Bolt
507	P-07400	Spring Pin
508	P-24529	Hex Socket Head Bolt
509	P-24530	Hex Socket Head Bolt
510	P-24532	Flat Head Cap Screw
511	P-07401	Pin
512	P-07402	Pin
513	P-24524	Hex Socket Head Bolt
515	P-07403	Spring Pin
516	P-24535	Phillips Flat Head Screw
517	P-07404	Spring Pin
518	P-24536	Flat Head Cap Screw
519	P-26178	Lock Nut
520	P-26179	Lock Nut
521	P-32247	Washer
523	P-07405	Spring Pin
524	P-96162	Bracket
525	P-24537	Flat Head Cap Screw