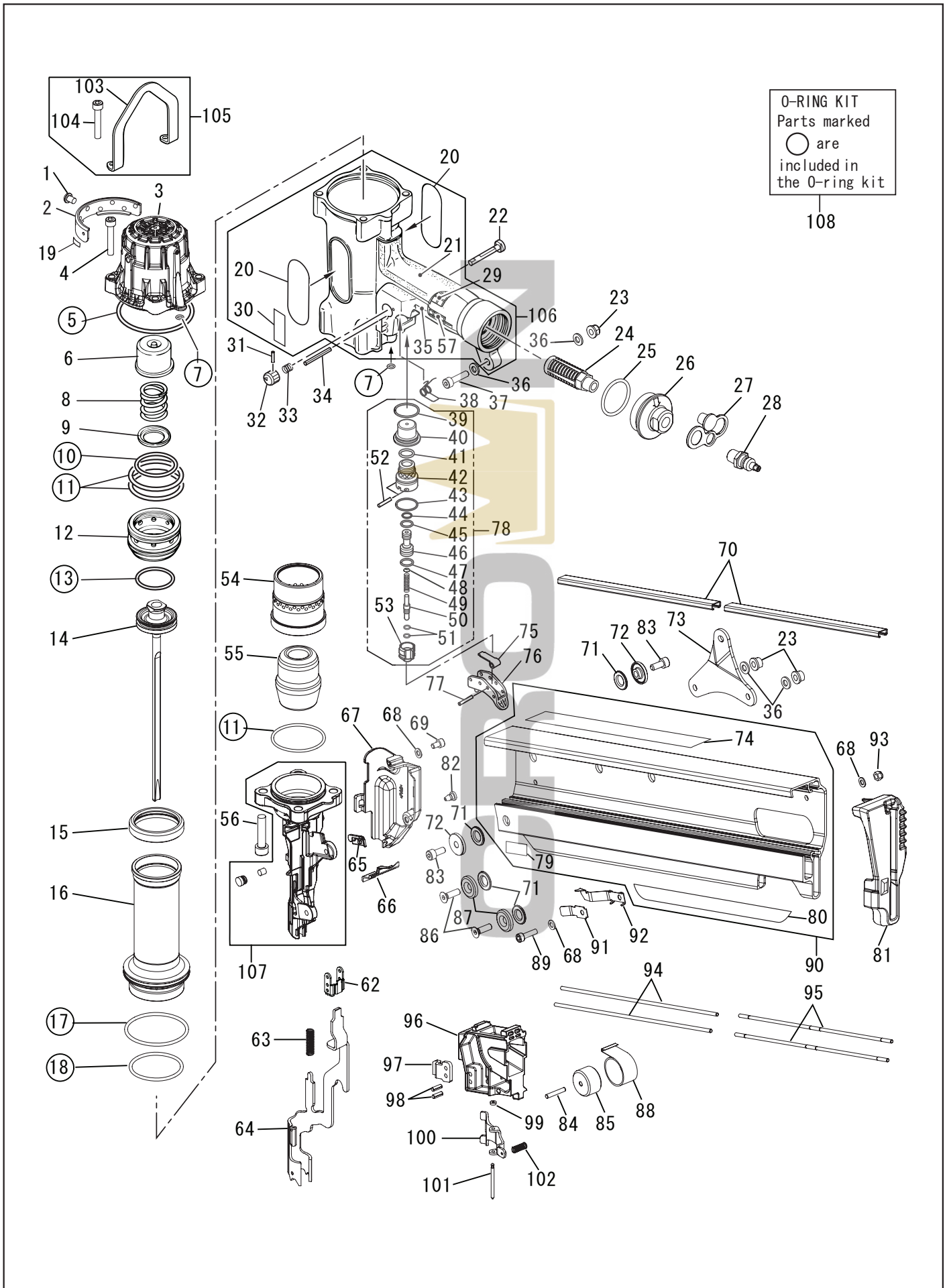


HS130

Stick Nailer



MAX PARTS PRICE LIST

JUNE 2010

Model	Part NO	Part Code	Description	List Price	Ratio
HS130	1	BB41701	SPECIAL SCREW M6X8	\$0.56	5
HS130	2	HS10817	EXHAUST COVER	\$38.45	1
HS130	3	HS70077	CYLINDER CAP UNIT	\$115.80	1
HS130	4	BB40227	SCREW 6X35	\$1.26	10
HS130	5	HH14040	O-RING ARP568-040	\$2.58	5
HS130	6	HN10275	PISTON STOP	\$16.98	5
HS130	7	HH11120	O-RING ARP569-009	\$0.36	10
HS130	8	KK23516	COMP SPRING 3516	\$3.12	5
HS130	9	CN31892	SPRING SHEET	\$2.86	1
HS130	10	HH19708	O-RING 1AP2.6X39.5	\$2.32	5
HS130	11	HH11157	O-RING ARP568-136	\$2.50	5
HS130	12	HN10274	HEAD VALVE PISTON	\$20.70	5
HS130	13	HH11803	O-RING P36	\$8.70	10
HS130	14	HS70080	MAIN PISTON UNIT	\$119.80	5
HS130	15	HN10278	CYLINDER SEAL	\$3.82	10
HS130	16	HS10809	CYLINDER A	\$170.90	1
HS130	17	HH12108	O-RING AG60	\$1.80	10
HS130	18	HH12102	O-RING 1AG50	\$1.88	10
HS130	19	HS10831	FILTER	\$3.52	5
HS130	20	HS10825	NAME LABEL	\$3.52	1
HS130	21	HN10310	GRIP COVER A	\$8.22	1
HS130	22	CN34088	TRIGGER LOCK LEVER	\$3.46	1
HS130	23	CC51002	NUT M6	\$0.58	10
HS130	24	TA17024	FILTER A---Replaces Old# CN33690	\$11.06	5
HS130	25	HH12118	O-RING 1AG35	\$1.42	10
HS130	26	HS10802	END CAP	\$6.41	1
HS130	27	HN10316	END PLUG CAP	\$0.80	5
HS130	28	TT05416	AIR MALE PLUG HP STRAIGHT	\$24.62	1
HS130	29	HN10322	BUFFER SEAT A	\$14.84	1
HS130	30	HN10757	TRIGGER LOCK LABEL	\$2.82	1
HS130	31	FF21201	ROLL PIN 2.5 X 10	\$0.20	5
HS130	32	HN10327	TRIGGER LOCK DIAL	\$1.06	1
HS130	33	KK23507	COMPRESSION SPRING 3507	\$0.20	5
HS130	34	FF21235	ROLL PIN 3 X 30	\$0.20	5
HS130	35	HN10311	GRIP COVER B	\$8.22	1
HS130	36	EE31105	PLAIN WASHER 1-6	\$0.26	10
HS130	37	BB40701	HEX BOLT 6X25	\$0.26	10
HS130	38	KK33189	TORSION SPRING 3189	\$8.84	5
HS130	39	HH11159	O-RING ARP568-016	\$1.20	5
HS130	40	HN10326	TRIGGER VALVE CAGE	\$11.02	1
HS130	41	HH11151	O-RING ARP 568-013 (CN70)	\$0.88	10
HS130	42	HN10283	TRIGGER VALVE HOUSING	\$31.54	1
HS130	43	HH11138	O-RING 1AP20	\$0.44	10
HS130	44	HH11119	O-RING 1AP6	\$0.44	10
HS130	45	HH11802	O-RING P7	\$2.06	10
HS130	46	CN33627	PILOT VALVE	\$3.70	5
HS130	47	HH11113	O-RING 1AP9	\$0.44	10
HS130	48	CN31436	PILOT ORIFICE	\$1.86	10
HS130	49	KK23814	COMP SPRING 3814	\$1.06	5
HS130	50	HN10328	TRIGGER VALVE STEM	\$6.16	5
HS130	51	HH11901	O-RING 1B1, 4X2,5	\$0.20	10
HS130	52	FF30161	STRAIGHT PIN 161	\$0.44	10
HS130	53	HN10284	TRIGGER VALVE CAP	\$26.22	5
HS130	54	HS10810	CYLINDER B	\$98.02	1
HS130	55	HS10815	BUMPER	\$30.61	5
HS130	56	BB40445	BOLT 8X35	\$0.58	10
HS130	57	HN10323	NOSE BODY NUT	\$14.14	10

MAX PARTS PRICE LIST

JUNE 2010

Model	Part NO	Part Code	Description	List Price	Ratio
HS130	62	HN10287	ARM GUIDE UNIT	\$7.20	1
HS130	63	KK29024	COMP. SPRING 9024	\$1.47	10
HS130	64	HS10814	CONTACT ARM	\$52.19	1
HS130	65	HS10812	MAGAZINE GUIDE B	\$5.25	1
HS130	66	HS10811	MAGAZINE GUIDE B	\$5.83	1
HS130	67	HS10816	ARM COVER	\$6.98	1
HS130	68	EE31121	WASHER 1-5	\$0.20	10
HS130	69	BB40456	BOLT 5X8	\$0.26	5
HS130	70	HS10799	NAIL COVER	\$25.67	1
HS130	71	HS10804	RUBBER WASHER	\$2.05	1
HS130	72	HS10803	COLLAR	\$5.83	1
HS130	73	HS10801	TAIL HANGER	\$18.06	1
HS130	74	HS10824	CAUTION LABEL	\$3.52	1
HS130	75	HN10286	CONTACT LEVER	\$6.16	5
HS130	76	TA16329	TRIGGER	\$8.19	5
HS130	77	FF22402	SPRING PIN 2X16	\$0.20	5
HS130	79	HS10828	WARNING LABEL	\$2.63	1
HS130	80	HS10823	NAME LABEL	\$3.78	1
HS130	81	HS70091	TAIL COVER UNIT	\$25.67	1
HS130	82	CN31083	DUST COVER HOOK	\$0.44	5
HS130	83	BB40436	HEX.BOLT 6 X 14	\$0.26	5
HS130	84	FF31190	PIN 1190	\$2.31	10
HS130	85	HS10807	SPRING COLLAR	\$7.88	5
HS130	86	BB42801	SCREW 6X20	\$0.32	5
HS130	87	HS10822	MAGAZINE HOLDER	\$5.83	5
HS130	88	KK44024	SPRING 4024	\$9.80	10
HS130	89	BB40417	BOLT 5X18	\$0.20	5
HS130	90	HS80029	MAGAZINE	\$148.78	1
HS130	91	KN12420	NAIL STOPPER B	\$1.26	5
HS130	92	HS10818	CONTACT ARM A	\$3.26	5
HS130	93	CC49411	ELASTIC STOP NUT M5, REPLACES TA15554	\$0.20	10
HS130	94	HS10800	NAIL GUIDE A	\$6.41	1
HS130	95	KN12210	NAIL GUIDE B	\$2.08	1
HS130	96	HS10806	PUSHER HOLDER	\$9.61	1
HS130	97	GN10425	LOCK PLATE	\$2.08	1
HS130	98	FF21239	PIN 4X12	\$0.52	5
HS130	99	EE39609	RUBBER WASHER 1.8X6.2	\$0.72	5
HS130	100	HS10805	PUSHER	\$8.45	5
HS130	101	FF31603	PIN 1603	\$1.86	5
HS130	102	KK23932	COMP. SPRING 3932	\$0.26	10
HS130	103	HS10826	BODY HANGER	\$49.00	
HS130	104	BB40457	SCREW M6X38, REPLACES PART# BB40465	\$0.50	
HS130	106	HS80028	FRAME	\$238.10	1
HS130	107	HS70087	NOSE UNIT	\$349.00	1
HS130	108	HS80030	O-RING KIT	\$31.50	