

FIRST GENERATION PRODUCT INFORMATION
AND PARTS — FOR REFERENCE ONLY



... Innovating Legendary Products

CROWN

Declaration of Conformity

Hartco/Spenax Division of Stanley Fastening Systems
860 Elston Drive
Shelbyville, Indiana 46176 USA

The manufacture of the pneumatic fastening tools, declares under sole responsibility that this product conforms to the following standards. EN 292 – part 1 and 2 and to the directive 89/392/EEC and the revisions.

January 5, 2003

Mike Belovic
Manager Shop Operation

STANLEY

HARTCO

STANLEY FASTENING SYSTEMS

C SERIES

LIGHT WEIGHT CLINCHING TOOL



TOOL PARTS ILLUSTRATION
ILUSTRACIÓN DE LAS PIEZAS DE LA HERRAMIENTA
ILLUSTRATION DES PIÈCES D'OUTILLAGE

⚠ WARNING:

⚠ ADVERTENCIA:

⚠ ATTENTION:

BEFORE PERFORMING REPAIRS ON THIS TOOL, ALL OPERATORS SHOULD STUDY THIS ILLUSTRATION, AS WELL AS THE PARTS LIST AND OPERATION AND MAINTENANCE MANUAL. OPERATORS SHOULD UNDERSTAND AND FOLLOW ALL SAFETY WARNINGS AND INSTRUCTIONS. KEEP THIS ILLUSTRATION WITH THE TOOL FOR FUTURE REFERENCE. IF YOU HAVE ANY QUESTIONS, CONTACT YOUR BOSTITCH REPRESENTATIVE DISTRIBUTOR.

ANTES DE LLEVAR A CABO CUALQUIER REPARACIÓN EN LA HERRAMIENTA, TODOS LOS OPERARIOS DEBERÁN ESTUDIAR ESTA ILUSTRACIÓN, ASÍ COMO LA LISTA DE PIEZAS Y EL MANUAL DE OPERACIÓN Y MANTENIMIENTO. LOS OPERARIOS DEBERÁN ENTENDER Y SEGUIR TODAS LAS ADVERTENCIAS E INSTRUCCIONES DE SEGURIDAD. CONSERVE ESTA ILUSTRACIÓN CON LA HERRAMIENTA PARA PODER CONSULTARLA EN LO FUTURO. SI TUVIERA ALGUNA PREGUNTA, PÓNGASE EN CONTACTO CON SU REPRESENTANTE O DISTRIBUIDOR DE BOSTITCH.

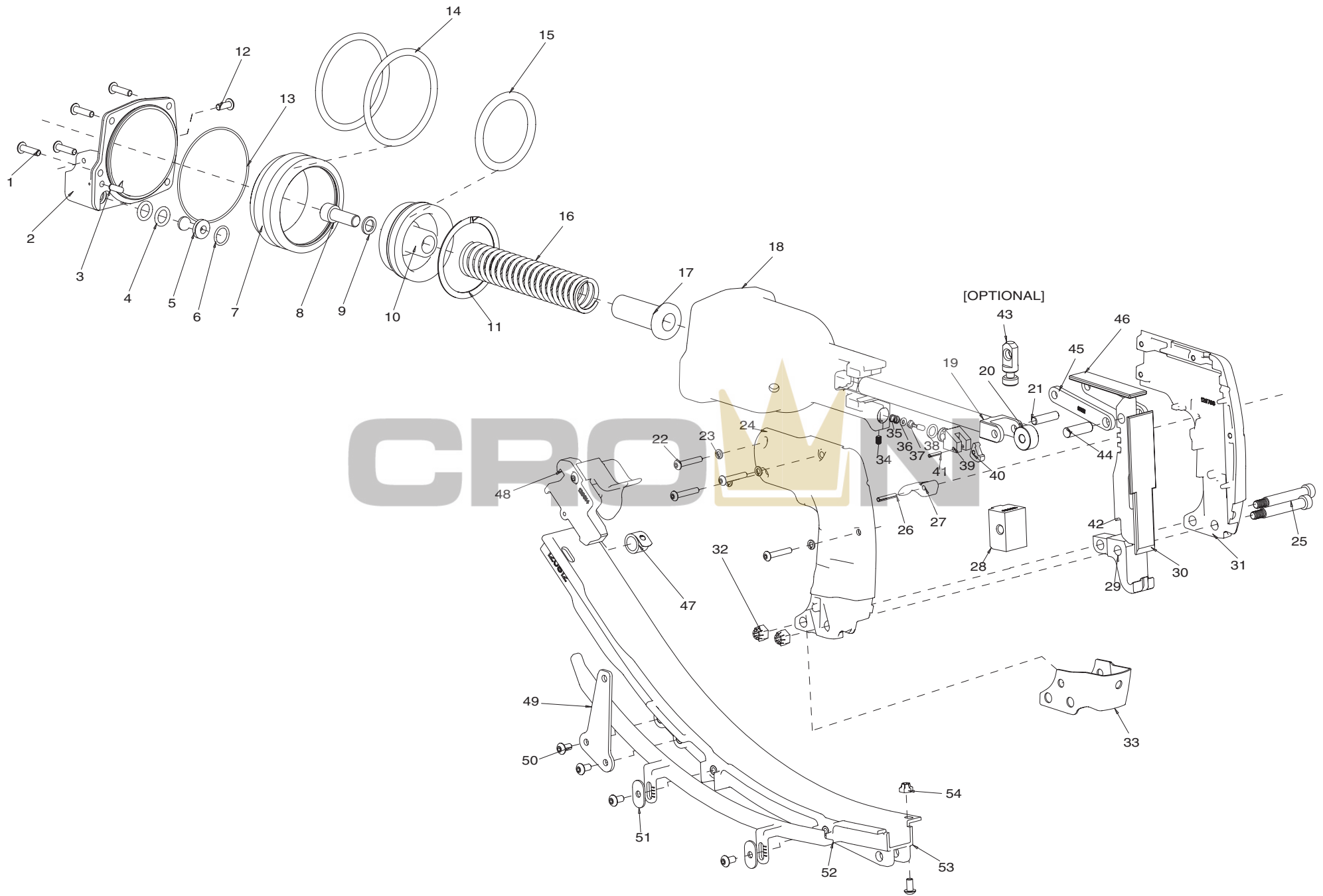
AVANT DE PROCÉDER À LA RÉPARATION DE CET OUTIL, LES OPÉRATEURS DOIVENT ÉTUDIER LA PRÉSENTE ILLUSTRATION AINSI QUE LA LISTE DE PIÈCES ET LE MANUEL D'INSTRUCTIONS ET D'ENTRETIEN ; ILS DOIVENT ÉGALEMENT COMPRENDRE ET OBSERVER LES CONSIGNES DE SÉCURITÉ ET LES INSTRUCTIONS. CONSERVER CETTE ILLUSTRATION AVEC L'OUTIL POUR RÉFÉRENCE FUTURE. SI VOUS AVEZ DES QUESTIONS, COMMUNIQUEZ AVEC VOTRE REPRÉSENTANT OU VOTRE DISTRIBUTEUR DE BOSTITCH.

STANLEY

HARTCO

IP1200-1 REVA 8/04

Stanley Fastening Systems



Parts List: IP1200-2REVD

**To be Used with tool parts illustration: IP1200-1REVA
and operation and maintenance manual: 142013
Serial Number on the Tool:**

ITEM	PART #	DESCRIPTION	ITEM	PART #	DESCRIPTION
1	TL710210	FASTENERS SHCS #10-24 x 3/4"	28	SEE TABLE	BLADE GUIDE
2	120823	END CAP AS MACHINE	29	SEE TABLE	ANVIL
3	SC01	LOCATOR PIN, DOWEL PIN, 3/16 DIA. x 1/2 LG.	30	120788	FRONT WEAR PLATE
4	134470	O-RING SIZE 111	31	120786	SIDE PLATE 2
5	120820	VALVE PISTON	32	141935	NUT, HEAVY NYLOCK 1/4-20
6	134469	O-RING SIZE 014	33	141762	SHROUD
7	136059	FLOATING PISTON	34	142012	FASTENERS OVAL POINT SET SCREW #8-32x1/4
8	HR-15253	FASTENERS, SHCS 3/8-16 x 1"	35	HR-55016	SPRING
9	141910	SHOULDER SCREW SHIM, S.S. 3/8 ID x 1/16 THK	36	HR-15008	O-RING -006
10	141763	PISTON	37	HR-55015	VALVE STEM
11	134507	RETAINER RING	38	HR-15009	O-RING -011
12	HR-16064	FASTENERS BHCS #10-24 x 1/2"	39	HR-55014	PILOT VALVE BODY
13	HR-15017	O-RING -335	40	132410	VALVE LEVER
14	HR-15016	O-RING -040	41	HR-15002	PIN, ROLL
15	851539	O-RING	42	SEE TABLE	BLADE
16	120819	SPRING (RETURN)	43	134521	CL, TOOL HANGER
17	120831	PISTON GUIDE ROD	44	HR-55009	PIN, BLADE
18	120815	HOUSING AS MACHINE	45	HR-55008	LINK
19	140334	PISTON ROD	46	120787	TOP WEAR PLATE
20	HR-55103	ROLLER	47	134482	FOLLOWER SPRING
21	HR-55018	PIN, PISTON	48	SEE TABLE	FOLLOWER ASSY
22	141907	FASTENERS, BHCS #8-32 x 1 "	49	120810	MAGAZINE BRACKET
23	HR-15032	WASHER, LOCK #8	50	TL770106	FASTENERS BHCS #10-32 x 3/8"
24	120785	SIDE PLATE 1	51	134712	WASHER, RECTANGLE
25	HR-15143	FASTENERS, .313 Dia. x 1 3/4" Should Bolt	52	120813	COVER, MAGAZINE
26	SC05	ROLL PIN 1/8 x 3/4	53	SEE TABLE	MAGAZINE "C" SERIES
27	141648	TRIGGER	54	HR-15049	NUT, FLEXLOC #10-32

MODEL NUMBER	REFERENCE OLD MODEL	#28 BLADE GUIDE	#29 ANVIL	#42 BLADE	#48 FOLLOWER ASSEMBLY	#53 MAGAZINE	CLIPS
HR-45C-100	HR-45		134460	HR-55238	HR-55223		13,15
HR-45C-160	HR-45TN		134458	HR-55242	HR-55223		13,15
HR-46C-110	HR-46		134461	HR-55234	HR-55223		14
HR-61C-100	HR-61		134462	HR-55934-02	HR-65080		61
HR-65C-130	HR-65BAT	128885	134446	HR-65111-02	120814	120812	22, 23, 24, 2412, 25, 29
HR-66C-100	HR-55B	128886	134455	HR-65111-10	120814	120812	3, 4, 312, 412
HR-66C-110	HR-66B	128886	134449	HR-65111-03	120814	120812	3, 4, 312, 412
HR-68C-100	HR-68B	128919	134447	HR-55391	137960	120812	20
HR-85C-100	HR-85B	128918	134449	HR-65111-05	120814	120812	5, 34
HR-85C-110	HR-85BA	128918	134449	HR-65111-04	120814	120812	3, 4, 34
HR-86C-100	HR-85SB	128918	134452	HR-65111-07	120814	120812	36
HR-86C-110	HR-85SBL	128918	134452	HR-65111-04	120814	120812	34AL, 36AL
HR-86C-170	HR-85SBLTN	128902	134450	HR-65111-06	137963	120812	34N, 36NAL
HR-88C-100							
MODEL NUMBER	REFERENCE OLD MODEL	#24 SIDE PLATE #1	#31 SIDE PLATE #2	#52 MAGAZINE COVER	* SHOULDER BOLT	* SUPPORT STRAP	38
HR-88C-100							

* NOT SHOWN IN PARTS ILLUSTRATION: IP1200-1

ACCESSORIES AVAILABLE

BC601	4 OZ. BOSTITCH AIR-TOOL LUBRICANT
BC602	1 PINT BOSTITCH AIR-TOOL LUBRICANT
BC603	1 PINT BOSTITCH "WINTER-FORMULA" AIR-TOOL LUBRICANT
BC604	1 QUART BOSTITCH AIR-TOOL LUBRICANT
851325	LOCTITE GRADE 271 (.02 OZ.)
851385	LOCTITE GRADE 242 (.02 OZ.)
100679	LUBE (1 LB. CAN)
120672	10 OZ. TUBE LUBRICATION GREASE
134521	CL, TOOL HANGER
HR-55996	CLINCH CLIP REMOVAL PLIERS

