

Assembly BOM				
Index	Part No.	Quantity	Description	
1	134473	1	BHCS 8-32 x 3/8	
2	HR-15000	2	1/4-20 x 5/8 BHSCS	
3	HR-15001	4	SHCS 1/4-20 x 3/4	
4	HR-15004	2	DOWEL PIN, 1/8 x 7/8	
5	HR-15005	1	5/32 x 1 ROLL PIN	
6	HR-15010	1	O-RING 9/16 X 3/4 X 3/32	
7	HR-15011	1	O-RING 1/4 X 3/8 X 1/16	
8	HR-15014	1	O-RING 3/8 X 1/2 X 1/16	
9	HR-15015	1	O-RING 1 X 1-1/4 X 1/8	
10	HR-15016	1	O-RING 2-7/8 X 3 X 1/16	
11	HR-15017	1	O-RING 2-3/4 X 3-1/8 X 1/8	
12	HR-15020	1	8-32 FLEXLOC NUT	
13	HR-15021	2	SHCS 10-32 x 1/2	
14	HR-15023	2	1/4-20 FLEXLOC NUT	
15	HR-15028	2	1/4-20 x 5/8 SHCS	
16	HR-15029	1	5/16 LOCK WASHER	
17	HR-15031	5	1/4 LOCK WASHER	
18	HR-15033	2	#10 LOCK WASHER	
19	HR-15038	1	WASHER 3/8 I.D. X 1/16	
20	HR-15044	2	10-24 FLEXLOC NUT	
21	HR-15054	1	O-RING 3/8 X 9/16 X 3/32	
22	HR-15061	2	BHSCS 1/4-20 x 1/2	
23	HR-15063	1	SHCS 1/4-20 x 1-1/4	
24	HR-15235	2	SHSS 1/4 x 1.25	
25	HR-55002	2	PIN, SIDE PLATE	
26	HR-55003	1	Side Plate (R.H.)	
27	HR-55004	1	Side Plate (L.H.)	
28	HR-55008	2	LINK	
29	HR-55009	1	DOWEL PIN	
30	HR-55012	1	TRIGGER ASSEMBLY	
31	HR-55017-01	1	ASSEMBLY, YOKE-PISTON ROD	
32	HR-55018	1	PIN, PISTON	
33	HR-55020	1	HOUSING	
34	HR-55021	1	PISTON	
35	HR-55022	1	PISTON SCREW	
36	HR-55047	1	MAIN VALVE ASSEMBLY	
37	HR-55048	1	PILOT VALVE ASSEMBLY	
38	HR-55056	1	SHOULDER BOLT	
39	HR-55103	1	ROLLER	
40	HR-55219	1	ASSEMBLY, MAGAZINE	
41	HR-55223	1	ASSEMBLY, 7/16 FOLLOWER	
42	HR-56169	1	PISTON ROD	
43	HR-56173	1	MACHINE, CAP	
44	HR-65112-02	1	FRON PLATE	
45	HR-65115	1	TOP PLATE CASTING-MACHINED	
46	See Table	1	BLADE	
47	See Table	1	BLADE GUIDE	
48	See Table	1	ANVIL	

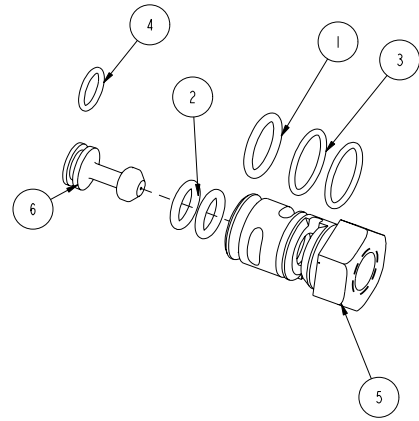
FIRST GENERATION PRODUCT INFORMATION AND PARTS — FOR REFERENCE ONLY



45 TOOL MODELS:

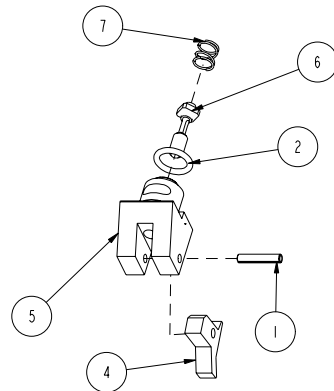
TOOL MODEL	ANVIL	BLADE	BLADE GUIDE	DESCRIPTION	APPLICATION
HR-45	HR-55237	HR-55238	HR-55236	SQUARE BLADE	CAGES AND TRAPS
HR-45A	HR-55237	HR-55239	HR-55236	ANGLE BLADE	GENERAL PURPOSE
HR-45I	HR-55237	HR-55238	HR-55243	MODIFIED BLADE GUIDE	IMPACT PANELS
HR-45T	HR-55240	HR-55238	HR-55236	THIN ANVIL	1/2" x >1/2" GRID
HR-45TN	HR-55241	HR-55242	HR-55236	THIN AND NARROW	1/2" X 1/2" GRID

Main Valve HR-55047 Assembly BOM			
Index	Part No.	Quantity	Description
1	HR-15010	1	O-RING 9/16 X 3/4 X 3/32
2	HR-15012	2	O-RING 3/8 X 9/16 X 3/32
3	HR-15013	2	O-RING 5/8 X 3/4 X 1/16
4	HR-15014	1	O-RING 3/8 X 1/2 X 1/16
5	HR-56170	1	VALVE BODY
6	HR-56177	1	VALVE PISTON



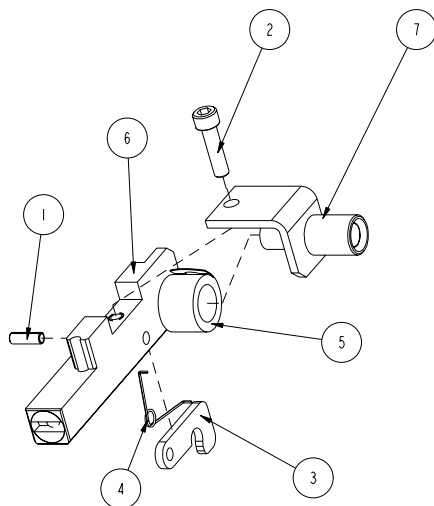
MAIN VALVE ASSEMBLY
PART NO. HR-55047

Pilot Valve HR-55048 Assembly BOM			
Index	Part No.	Quantity	Description
1	HR-15002	1	PIN, ROLL 3/32 x 1/2
2	HR-15009	1	O-RING 5/16 X 7/16 X 1/16
3	HR-15097	1	O-RING 1/8 X 1/4
4	HR-55013	1	VALVE LEVER
5	HR-55014	1	PILOT VALVE BODY
6	HR-55015	1	VALVE STEM
7	HR-55016	1	SPRING



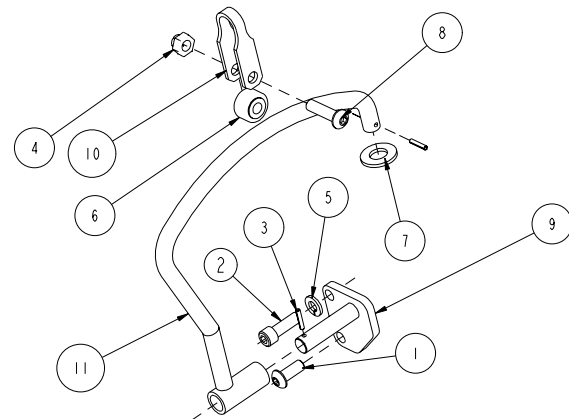
PILOT VALVE ASSEMBLY
PART NO. HR-55048

Assembly BOM			
Index	Part No.	Quantity	Description
1	HR-15076	1	1/8 x 3/8 ROLL PIN
2	HR-16069	1	SHCS 8-32 X 5/8
3	HR-55032	1	FOLLOWER LATCH
4	HR-55038	1	LATCH SPRING
5	HR-55040	1	SPRING
6	HR-55221	1	ASSEMBLY, FOLLOWER
7	HR-55222	1	ASSEMBLY, FOLLOWER BRACKET



FOLLOWER ASSEMBLY
PART NO. HR-55223

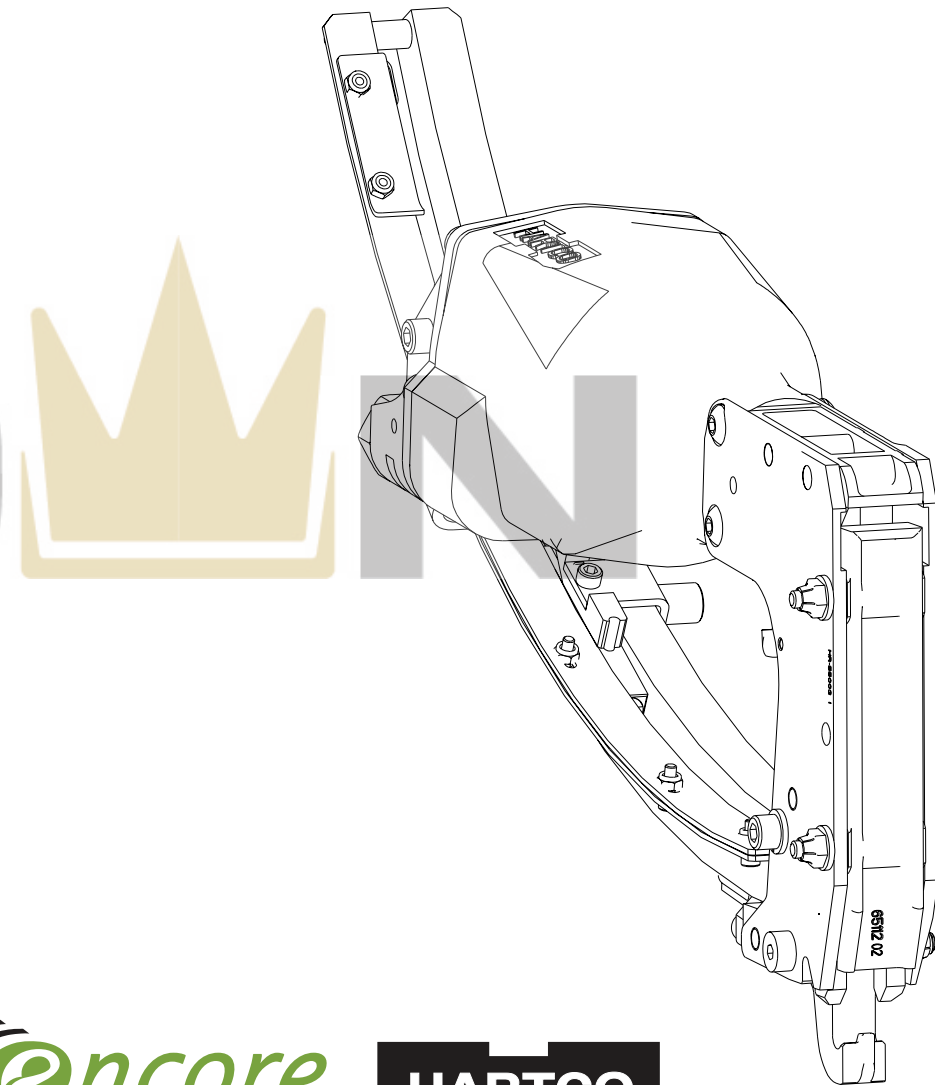
Assembly BOM			
Index	Part No.	Quantity	Description
1	HR-15000	1	1/4-20 x 5/8 BHSCS
2	HR-15001	1	SHCS 1/4-20 x 3/4
3	HR-15002	2	PIN, ROLL 3/32 x 1/2
4	HR-15023	1	1/4-20 FLEXLOC NUT
5	HR-15031	1	1/4 LOCK WASHER
6	HR-15037	1	CAM ROLLER
7	HR-15038	1	WASHER 3/8 I.D. X 1/16
8	HR-15316	1	BHSCS 1/4-20 x 1
9	HR-55053	1	HANGER SUPPORT
10	HR-55095	1	YOKE
11	HR-55096	1	ASSEMBLY, SESPENSION HANGER



SUSPENSION HANGER ASSEMBLY
PART NO. HR-55097

FIRST GENERATION PRODUCT INFORMATION AND PARTS
— FOR REFERENCE ONLY

HARTCO CLINCHING TOOL MODELS HR-45, HR-45A, HR-45I HR-45T, HR-45TN PARTS LIST



... Innovating Legendary Products