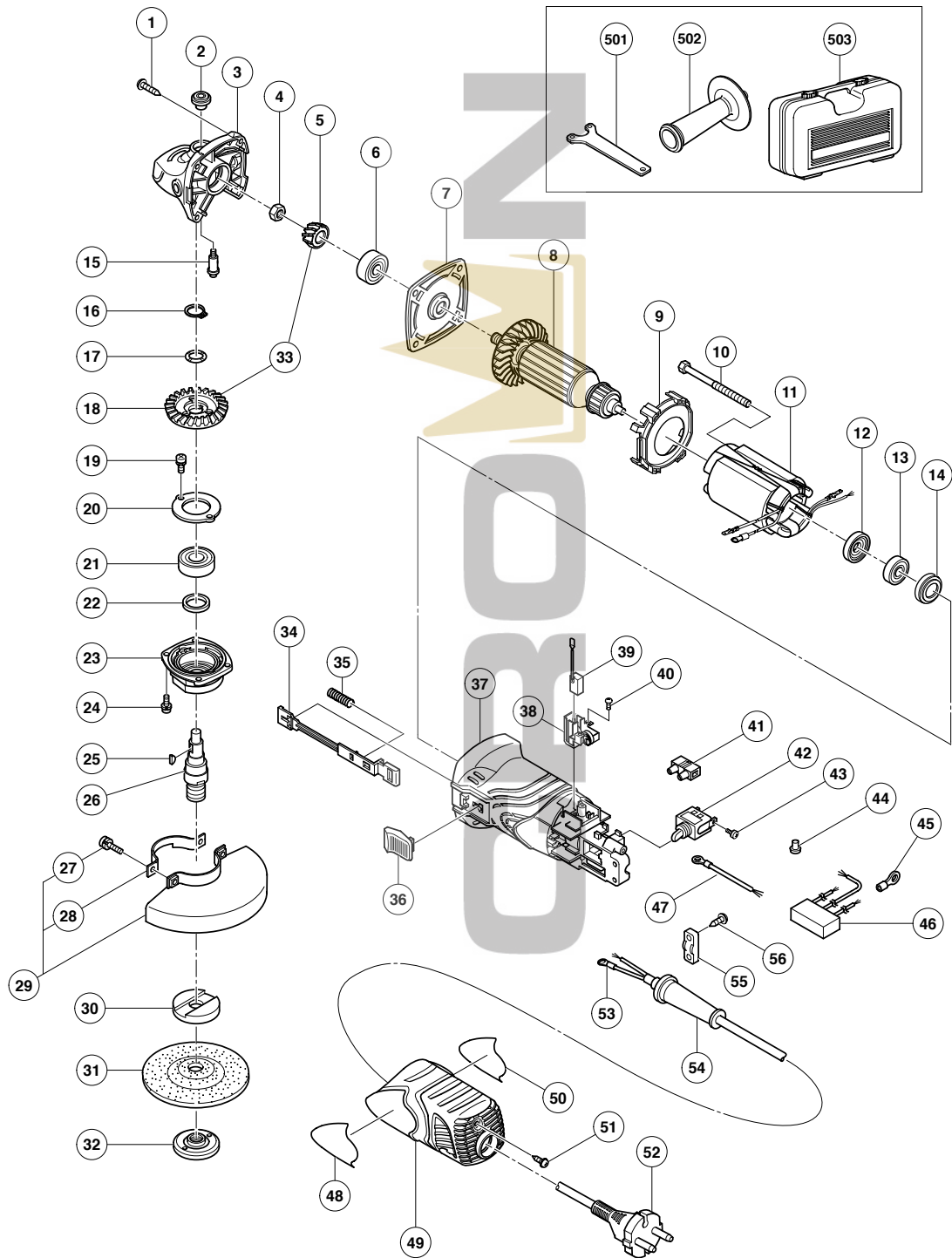


ELECTRIC TOOL PARTS LIST

■ DISC GRINDER
Model G 12SR3

2007 · 4 · 16

(E1)



PARTS

G 12SR3

ITEM NO.	CODE NO.	DESCRIPTION	NO. USED	REMARKS
1	307-028	TAPPING SCREW (W/FLANGE) D4X25 (BLACK)	4	
2	301-944	PUSHING BUTTON	1	
3	327-891	GEAR COVER ASS'Y	1	INCLUD. 2, 15
4	309-191	SPECIAL NUT M6	1	
5	327-889	PINION	1	
6	628-VVC	BALL BEARING 628VVC2PS2-L	1	
7	327-887	BEARING HOLDER	1	
* 8	360-799C	ARMATURE 110V	1	
* 8	360-799U	ARMATURE ASS'Y 120V	1	INCLUD. 6, 12, 13
* 8	360-799E	ARMATURE 220V-240V	1	
9	327-886	FAN GUIDE	1	
10	963-712	HEX. HD. TAPPING SCREW D4X65	2	
* 11	340-702C	STATOR 110V	1	
* 11	340-702D	STATOR 120V	1	
* 11	340-702E	STATOR 220V-230V	1	
* 11	340-702F	STATOR 240V	1	
12	321-722	DUST SEAL	1	
13	626-VVM	BALL BEARING 626VVC2PS2L	1	
14	309-929	RUBBER BUSHING	1	
15	301-943	LOCK PIN	1	
16	316-487	RETAINING RING FOR D11 SHAFT	1	
17	316-486	WAVE WASHER	1	
18	327-890	GEAR	1	
19	987-201	SEAL LOCK SCREW (W/SP. WASHER) M4X10	2	
20	316-490	BEARING COVER	1	
21	620-1DD	BALL BEARING 620DDCMPS2L	1	
22	301-946	FELT PACKING	1	
23	316-489	PACKING GLAND	1	
24	951-039	MACHINE SCREW (W/SP. WASHER) M4X12	4	
25	302-047	WOODRUFF KEY	1	
* 26	327-896	SPINDLE	1	
* 26	327-897	SPINDLE	1	FOR USA, CAN
27	308-386	MACHINE SCREW (W/SP. WASHER) M5X16 (BLACK)	2	
28	301-949	SET PLATE	1	
29	315-492	WHEEL GUARD ASS'Y	1	INCLUD. 27, 28
* 30	937-817Z	WHEEL WASHER	1	
* 30	319-373	WHEEL WASHER	1	FOR USA, CAN
* 31	316-821	D. C. WHEELS 115MM A36Q (25 PCS.)	1	
* 32	994-324	WHEEL NUT M14	1	
* 32	937-923P	WHEEL NUT 5/8"-11UNC	1	FOR USA, CAN
33	327-888	GEAR ASS'Y	1	INCLUD. 5, 18
34	327-893	SLIDE BAR	1	
35	314-429	SPRING	1	
36	314-428	SLIDE KNOB	1	
37	327-885	HOUSING ASS'Y	1	INCLUD. 14
38	327-895	BRUSH HOLDER	2	
39	999-091	CARBON BRUSH (AUTO STOP TYPE) (1 PAIR)	2	
40	328-210	TAPPING SCREW D3X8	4	
41	938-307	PILLAR TERMINAL	1	
42	314-603	SWITCH (1P SOLDER TYPE)	1	
43	305-499	MACHINE SCREW (W/WASHER) M3.5X6	2	

