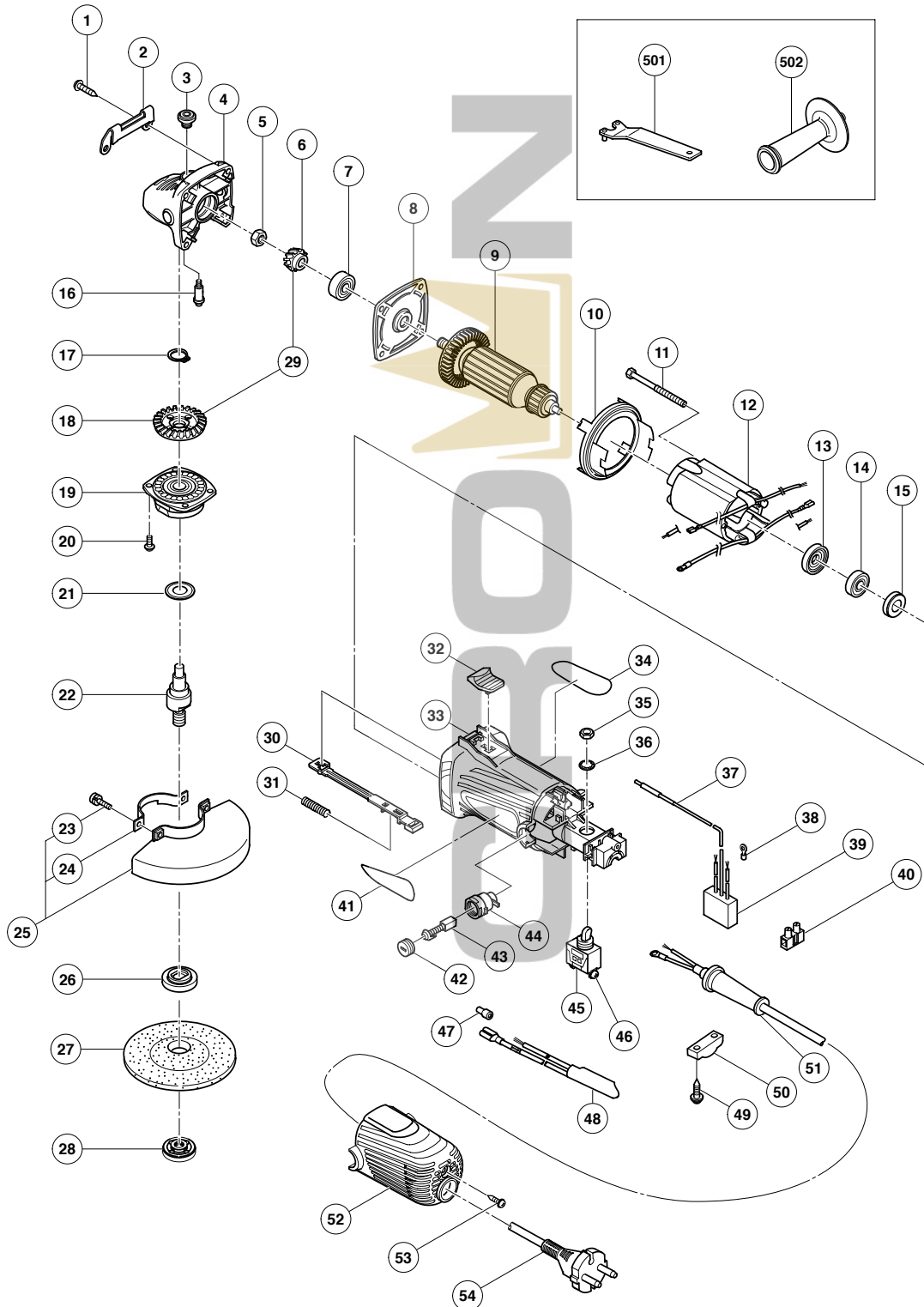


ELECTRIC TOOL PARTS LIST

■ DISC GRINDER
Model G 10SS

2007 · 5 · 18
(E1)



PARTS

G 10SS

ITEM NO.	CODE NO.	DESCRIPTION	NO. USED	REMARKS	
1	320-523	TAPPING SCREW D5X25 (BLACK)	4		
2	317-807	GUARD PLATE	1		
3	301-944	PUSHING BUTTON	1		
4	328-181	GEAR COVER ASS'Y	1	INCLUD. 3, 16	
5	309-191	SPECIAL NUT M6	1		
6	328-180	PINION	1		
7	608-VVM	BALL BEARING 608VVC2PS2L	1		
8	328-184	BEARING HOLDER	1		
*	9	360-802C	ARMATURE 110V	1	
*	9	360-802U	ARMATURE ASS'Y 120V	1	INCLUD. 7, 13, 14
*	9	360-802F	ARMATURE 220V	1	
*	9	360-802E	ARMATURE 230V-240V	1	
	10	328-177	FAN GUIDE	1	
	11	963-712	HEX. HD. TAPPING SCREW D4X65	2	
*	12	340-705C	STATOR 110V	1	
*	12	340-705G	STATOR 110V	1	FOR TPE
*	12	340-705D	STATOR 120V	1	
*	12	340-705E	STATOR 220V-230V	1	
*	12	340-705F	STATOR 240V	1	
*	12	340-705H	STATOR 240V	1	FOR AUS
	13	321-722	DUST SEAL	1	
	14	626-VVM	BALL BEARING 626VVC2PS2L	1	
	15	309-929	RUBBER BUSHING	1	
	16	301-943	LOCK PIN	1	
	17	316-487	RETAINING RING FOR D11 SHAFT	1	
	18	328-179	GEAR	1	
	19	328-182	PACKING GLAND	1	
	20	328-628	SEAL LOCK SCREW (W/WASHER) M4X12	4	
	21	328-185	WASHER (A)	1	
*	22	328-174	SPINDLE	1	
*	22	328-175	SPINDLE	1	FOR USA, CAN
	23	308-386	MACHINE SCREW (W/SP. WASHER) M5X16 (BLACK)	2	
	24	301-949	SET PLATE	1	
	25	301-948	WHEEL GUARD ASS'Y	1	INCLUD. 23, 24
*	26	320-497	WHEEL WASHER	1	
*	26	937-834Z	WHEEL WASHER	1	FOR USA, CAN
*	27	316-820	D. C. WHEELS 100MMX4T A36Q (25 PCS.)	1	FOR NZL, AUS
*	28	321-795	WHEEL NUT (C)	1	
*	28	312-048	WHEEL NUT M10XP1.25	1	FOR USA, CAN
	29	328-178	GEAR AND PINION ASS'Y	1	INCLUD. 6, 18
	30	314-427	SLIDE BAR	1	
	31	314-429	SPRING	1	
	32	314-428	SLIDE KNOB	1	
	33	328-176	HOUSING ASS'Y	1	INCLUD.15
	34		NAME PLATE	1	
	35		LOCK NUT	1	
	36		LOCK WASHER	1	
*	37	314-854	EARTH TERMINAL	1	FOR NOISE SUPPRESSOR
*	38	980-063	TERMINAL	1	FOR NOISE SUPPRESSOR
*	39	994-273	NOISE SUPPRESSOR	1	FOR NZL, AUS, EUROPE, CHN, KOR, TPE
	40	938-307	PILLAR TERMINAL	1	

PARTS

ITEM NO.	CODE NO.	DESCRIPTION	NO. USED	REMARKS	
41		HITACHI LABEL	1		
42	936-551	BRUSH CAP	2		
43	999-021	CARBON BRUSH (1 PAIR)	2		
44	313-777	BRUSH HOLDER	2		
45	955-509	SWITCH (1P SCREW TYPE)	1	INCLUD. 35, 36	
46	305-499	MACHINE SCREW (W/WASHER) M3.5X6	2		
* 47	959-140	CONNECTOR 50091 (10 PCS.)	2	FOR TPE, AUS	
* 48	328-629	CHOKES COIL	2	FOR TPE, AUS	
49	984-750	TAPPING SCREW (W/FLANGE) D4X16	2		
50	937-631	CORD CLIP	1		
51	953-327	CORD ARMOR D8.8	1		
52	328-183	TAIL COVER	1		
53	305-812	TAPPING SCREW (W/FLANGE) D4X16 (BLACK)	1		
* 54	500-409Z	CORD	1	(CORD ARMOR D8.8)	
* 54	500-435Z	CORD	1	(CORD ARMOR D8.8) FOR SIN, KUW, HKG	
* 54	500-468Z	CORD	1	(CORD ARMOR D8.8) FOR THA, CHN	
* 54	500-470Z	CORD	1	(CORD ARMOR D8.8) FOR VEN, TPE	
* 54	500-439Z	CORD	1	(CORD ARMOR D8.8) FOR NZL, AUS	
* 54	500-240Z	CORD	1	(CORD ARMOR D8.8) FOR USA, CAN	
* 54	500-447Z	CORD	1	(CORD ARMOR D8.8) FOR SYR	

STANDARD ACCESSORIES

G 10SS

ITEM NO.	CODE NO.	DESCRIPTION	NO. USED	REMARKS
501	313-933	WRENCH	1	
* 502	302-142	SIDE HANDLE	1	FOR NZL, AUS, EUROPE, CHN, KOR, TPE
* 502	318-312	SIDE HANDLE	1	FOR USA, CAN

OPTIONAL ACCESSORIES

ITEM NO.	CODE NO.	DESCRIPTION	NO. USED	REMARKS
601	314-051	SANDING DISCS 100MM C-P16 (10 PCS.)	1	
602	314-052	SANDING DISCS 100MM C-P20 (10 PCS.)	1	
603	314-053	SANDING DISCS 100MM C-P24 (10 PCS.)	1	
604	314-054	SANDING DISCS 100MM C-P30 (10 PCS.)	1	
605	314-055	SANDING DISCS 100MM C-P36 (10 PCS.)	1	
606	314-056	SANDING DISCS 100MM C-P40 (10 PCS.)	1	
607	314-057	SANDING DISCS 100MM C-P50 (10 PCS.)	1	
608	314-058	SANDING DISCS 100MM C-P60 (10 PCS.)	1	
609	314-059	SANDING DISCS 100MM C-P80 (10 PCS.)	1	
610	314-060	SANDING DISCS 100MM C-P100 (10 PCS.)	1	
611	314-061	SANDING DISCS 100MM C-P120 (10 PCS.)	1	
* 612	935-513	WASHER NUT M10XP1.5	1	
* 612	313-173	WASHER NUT M10XP1.25	1	FOR USA, CAN
613	936-548	WASHER	1	
614	936-558Z	RUBBER PAD	1	
615	302-098	GUIDE BASE	1	
616	323-918	DUST COLLECTION ADAPTER (DISC GRINDER)	1	