

F-18 (FN55AX) ***18 GAUGE BRAD NAILER***

SENCO®



Parts Reference Guide



*** Schematic drawings inside**

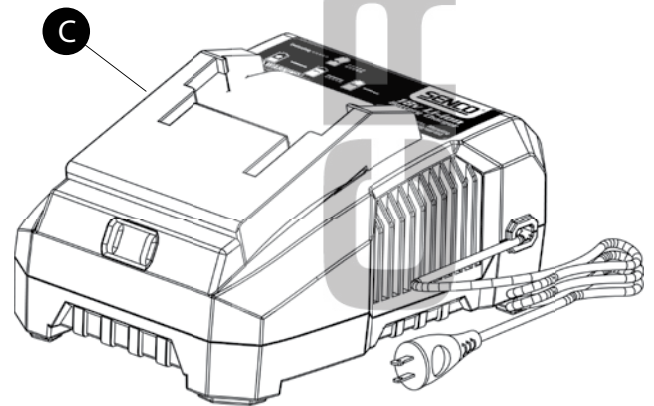
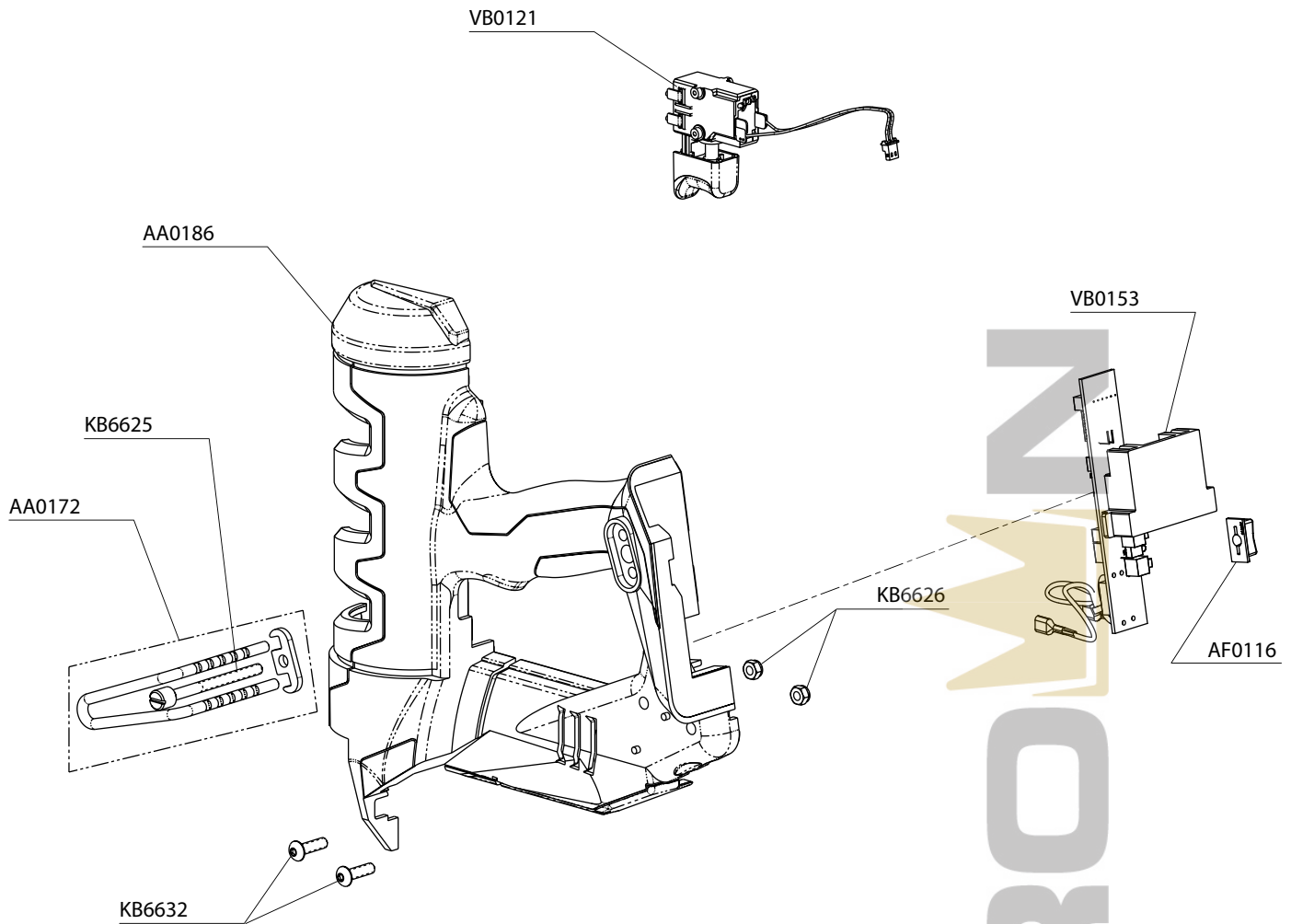
NFG06E Revised February 28, 2013 (Replaces 1/10/12) © 2013 by SENCO Brands, Inc. Cincinnati, Ohio 45245—U.S.A.

Senco Brands Inc.
4270 Ivy Pointe Blvd.
Cincinnati, Ohio 45245
Visit Our Website: www.senco.com
EMEA Website: www.senco-emea.com

Questions? Comments? call SENCO's toll-free Action-line:
1-800-543-4596 (North & South America only)
or e-mail: toolprof@senco.com

FN55AX 18 Gauge Brad Nailer

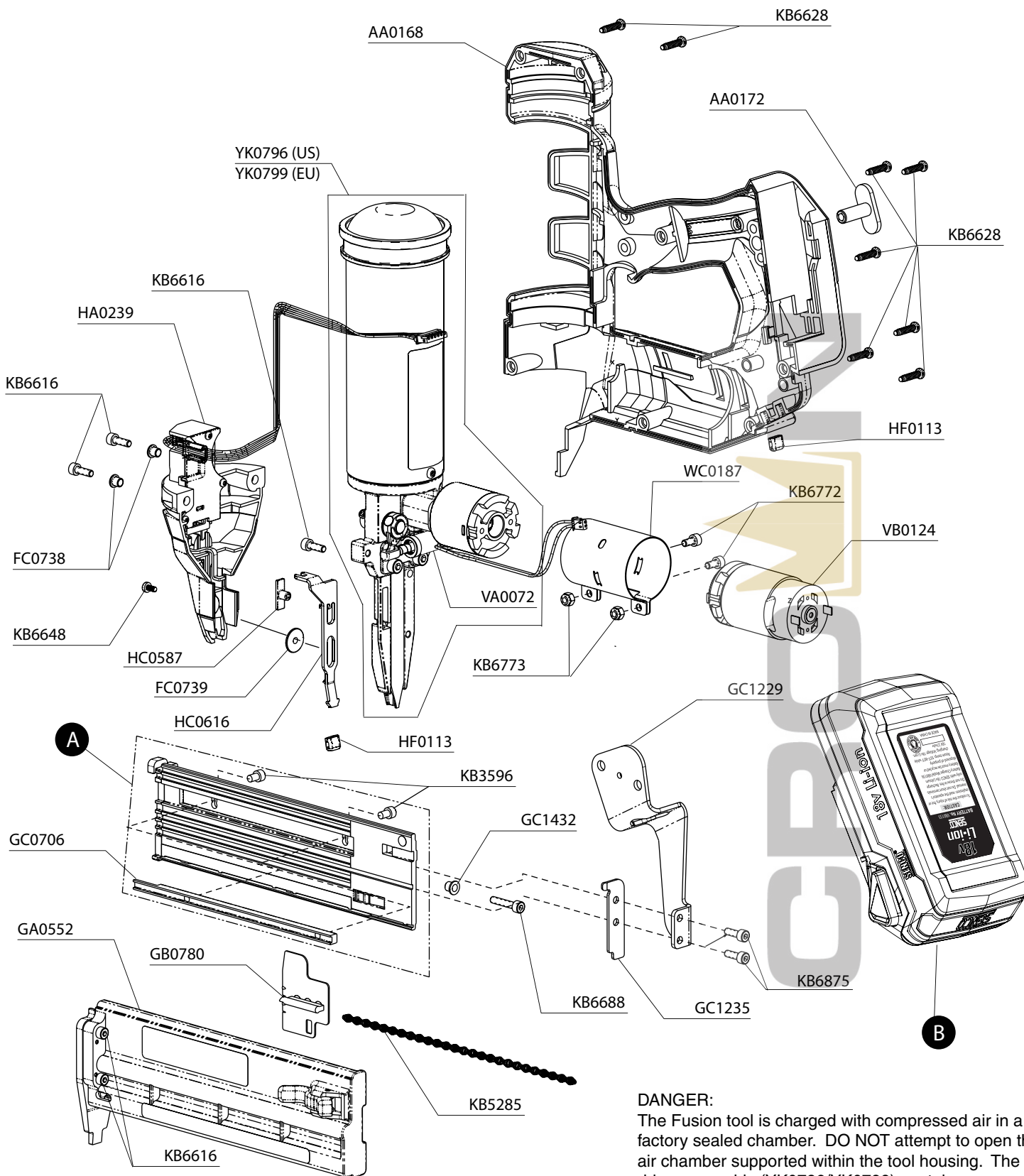
SENCO



Tool #	A	B	C
6E0001N (US / S. AM.)	GA0553	VB0155	VB0156
6E2001N (EU)	GA0554	VB0160	VB0157
6E3001N (AU)	GA0553	VB0160	VB0158
6E3501N (NZ)	GA0553	VB0160	VB0158
6E7001N (UK)	GA0554	VB0160	VB0159

FN55AX 18 Gauge Brad Nailer

SENCO



NFG06E Revised February 28, 2013 (Replaces 1/10/12) © 2013 by SENCO Brands, Inc. Cincinnati, Ohio 45245—U.S.A.

DANGER:

The Fusion tool is charged with compressed air in a factory sealed chamber. DO NOT attempt to open the air chamber supported within the tool housing. The driver assembly (YK0796/YK0799) contains no user-serviceable parts. Major components such as the piston/driver assembly, gearbox, piston stop and guide body are all part of the drive assembly.

- Deliberate tampering with the drive assembly may result in the release of the driver.
- Any repair or upgrade requiring access to the pressure chamber should be handled by an authorized Senco dealer or service center.

FN55AX 18 Gauge Brad Nailer

REPLACEMENT PARTSLIST • LISTA DE PARTES DE REPUESTO • ERSATZTEILE-LISTE • LISTE DE PIÈCES DE RECHANGE

PART NO.	DESCRIPTION	DESCRIPCIÓN	BESCHREIBUNG	DÉSIGNATION
AA0172	BELT HOOK	GANCHO DE CINTURÓN	GURTHAKEN	CROCHET DE CEINTURE
AA0168	BODY, RIGHT HALF	CARCASA	GEHÄUSE	CORPS
AA0186	BODY, LEFT HALF	CARCASA	GEHÄUSE	CORPS
AF0116	ACTUATOR	CUBIERTA	ABDECKUNG	COUVERCLE
FC0738	STANDOFF	SEPARADOR	SISTANZSTÜCK	ENTRETOISE
FC0739	STANDOFF	SEPARADOR	SISTANZSTÜCK	ENTRETOISE
GA0552	RAIL ASSY, MOVEABLE	CARRIL	SCHIENE	RAIL
GA0553	RAIL ASSY (US /S.A/AU/NZ)	CARRIL	SCHIENE	RAIL
GA0554	RAIL ASSY (EU /UK)	CARRIL	SCHIENE	RAIL
GB0780	FEEDER SHOE ASY	ALIMENTADOR	NAGELSCHIEBER	POUSSOIR
GC0706	MAGAZINE RAIL	CARRIL	SCHIENE	RAIL
GC1229	BRACKET	BRAZO	HALTERUNG	CAVALIER
GC1235	LATCH PLATE	PLACA	PLATTE	PLAQUE
GC1432	INSERT	ACOPLAMIENTO	EINSATZ	INSERT
HA0239	SAFETY ASY	ASAMBLE DE SEGURO	SICHERHEITSVORRICHTUNG	PALPEUR DE SÉCURITÉ
HC0587	INDICATOR	MANOMÉTRICA	ZEIGER	BAGUETTE
HC0616	SAFETY ELEMENT	ASAMBLE DE SEGURO	SICHERHEITSVORRICHTUNG	PALPEUR DE SÉCURITÉ
HF0113	NO-MAR PAD	AMORTIGUADOR	SCHUTZ	COUSSIN
KB3596	SCREW	TORNILLO	SCHRAUBE	VIS
KB5285	SPRING	MUELLE	FEDER	RESSORT
KB6616	SCREW	TORNILLO	SCHRAUBE	VIS
KB6625	SCREW	TORNILLO	SCHRAUBE	VIS
KB6626	NUT	TUERCA	MUTTER	ÉCROU
KB6628	SCREW	TORNILLO	SCHRAUBE	VIS
KB6632	SCREW	TORNILLO	SCHRAUBE	VIS
KB6648	SCREW	TORNILLO	SCHRAUBE	VIS
KB6688	SCREW	TORNILLO	SCHRAUBE	VIS
KB6772	SCREW	TORNILLO	SCHRAUBE	VIS
KB6773	NUT	TUERCA	MUTTER	ÉCROU
KB6875	SCREW	TORNILLO	SCHRAUBE	VIS
VA0072	SOLENOID	SOLENOIDE	MAGNETVENTIL	SOLÉNOÏDE
VB0155	BATTERY (US / S AMER)	BATERIA	BATTERIE	BATTERIE
VB0156	CHARGER (US / S AMER))	CARAGADOR	LADEGERÄT	CHARGEUR
VB0121	TRIGGER	GATILLO	AUSLÖSER	GÂCHETTE
VB0124	MOTOR, DRIVE ASY	MOTOR IMPULSOR	ANTRIEBSMOTOR	MOTEUR, ENTRA
VB0160	BATTERY (EURO/AUST/UK/NZ)	BATERIA	BATTERIE	BATTERIE
VB0157	CHARGER (EURO)	CARAGADOR	LADEGERÄT	CHARGEUR
VB0158	CHARGER (AU/NZ)	CARAGADOR	LADEGERÄT	CHARGEUR
VB0159	CHARGER (U.K.)	CARAGADOR	LADEGERÄT	CHARGEUR
VB0153	PCB	ALOJAMIENTO	GEHÄUSE	CORPS
WC0187	CLAMP	ALOJAMIENTO	GEHÄUSE	CORPS
YK0796	DRIVE ASY (US)	MECHANISM DE PERCUSOR	TREIBEN-ZUSAMMENBAU	ENFONCER D'ASSEMBLÉE
YK0799	DRIVE ASY (EU)	MECHANISM DE PERCUSOR	TREIBEN-ZUSAMMENBAU	ENFONCER D'ASSEMBLÉE