

## ENGLISH

### Main Unit Breakdown

| Item No. | Product Code No. | Description                         | Quantity |
|----------|------------------|-------------------------------------|----------|
| 1        | 35217422         | Kit/Bottomer Guard                  | 1        |
| 2        | 33441107         | Nut/Hex 10-24                       | 6        |
| 3        | 33231207         | L/Washer Med Spg 194 337            | 6        |
| 4        | 35213816         | Stop/Guard                          | 1        |
| 5        | 33168405         | Screw/Truss 10-24 x 1/2             | 6        |
| 6        | 35213818         | Guard/Plexiglas                     | 1        |
| 7        | 33811102         | Screw/Shld 1/4 x 1/2                | 2        |
| 8        | 33214119         | Washer/AF 9/32 5/8 x .065           | 2        |
| 9        | 35211026         | Assembly/Head 1-3/8 A               | 1        |
| 9        | 35211027         | Assembly/Head 1-1/4 C               | 1        |
| 10       | 33912287         | Screw/Soc Hd 4MM x 10               | 4        |
| 11       | 33234206         | L/Washer Med Spg 168 296 x 040      | 4        |
| 12       | 35213411         | Arm/Advance Universal               | 2        |
| 13       | 35213412         | Pin /Pivot Arm                      | 1        |
| 14       | 35213358         | Washer/Shim                         | 2        |
| 15       | 33950014         | Ring E/Ext 12MM (Foot Only)         | 12       |
| 15       | 33950014         | Ring E/Ext 12MM (Pneu. Only)        | 8        |
| 16       | 35213408         | Pivot Assy/Bottomer                 | 1        |
| 17       | 33121504         | Screw/Soc Hd 1/4-20 x 3/4           | 1        |
| 18       | 33211122         | Washer/AF 11/32 11/16 x .065        | 1        |
| 19       | 35213334         | Weldment/Side Arm (S.A. Only)       | 1        |
| 20       | 35211214         | Block/Staple Universal              | 1        |
| 21       | 33919036         | Screw/Soc Set 6MM x 10 (S.A. Only)  | 4        |
| 22       | 33912066         | Screw/Soc Hd 8MM x 20 (S.A. Only)   | 4        |
| 23       | 33922009         | L/Washer Med Spg 8MM (S.A. Only)    | 4        |
| 24       | 33171504         | Screw/Soc Set 1/4-20 x 3/8          | 2        |
| 25       | 35213505         | Spacer 5/8 ID x 1-1/2 Lg            | 1        |
| 26       | 35213336         | Link Assembly                       | 2        |
| 27       | 35213335         | Pin/Pivot                           | 1        |
| 28       | 35213373         | Spacer 5/8 ID x 1/2 Lg (Foot Only)  | 4        |
| 28       | 35213373         | Spacer 5/8 ID x 1/2 Lg (Pneu. Only) | 2        |
| 29       | 33921014         | Washer/AF 14MM                      | 10       |
| 30       | 35213195         | Counterweight (Foot Only)           | 1        |
| 31       | 35213368         | Pin/Pivot (Foot Only)               | 4        |
| 31       | 35213368         | Pin/Pivot (Pneu. Only)              | 2        |
| 32       | 35213374         | Spacer 5/8 ID x 1/4 Lg              | 2        |
| 33       | 35213394         | Weldment Post Frame (Foot Only)     | 1        |

## FRANÇAIS

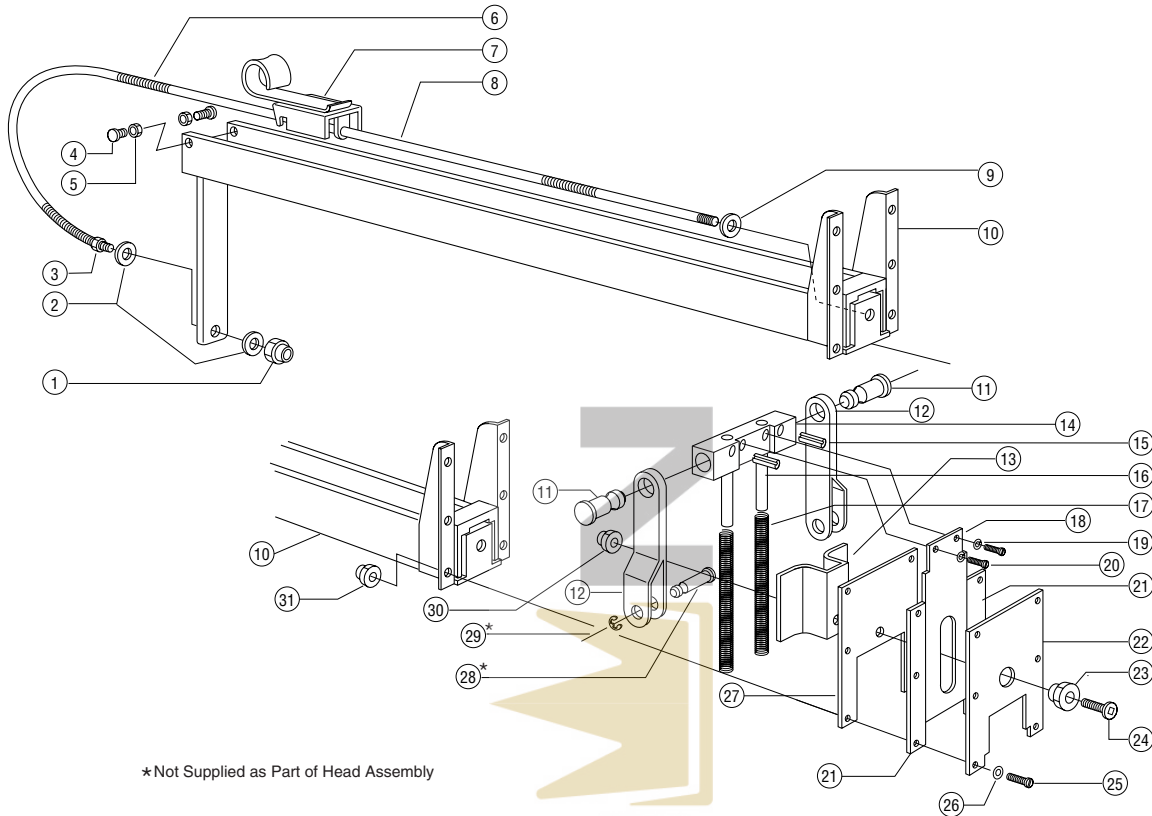
### Panne de l'outil proprement dit

| Item No. | Product Code No. | Description                             | Quantity |
|----------|------------------|-----------------------------------------|----------|
| 33       | 35213131         | Weldment Post Frame (Pneu. Only)        | 1        |
| 33       | 35213382         | Weldment/Frame (S.A. Foot Only)         | 1        |
| 33       | 35213383         | Weldment/Frame (S.A. Pneu. Only)        | 1        |
| 34       | 35213371         | Bumper (Foot Only)                      | 1        |
| 35       | 35213375         | Spring/Comp 1-3/4 Lg (Foot Only)        | 1        |
| 36       | 34192028         | Kit/Bot Cyl Repair (Pneu. Only)         | 1        |
| 37       | 34212103         | Reducer 3/8 x 1/4 (Pneu. Only)          | 2        |
| 38       | 33421108         | Nut/Jam 3/4-10 (Pneu. Only)             | 1        |
| 39       | 35223326         | Adapter/Cylinder (Pneu. Only)           | 1        |
| 40       | 33114624         | Screw/Soc Hd 5/16-24 x 1/2 (Pneu. Only) | 2        |
| 41       | 33231210         | L/Washer Med Spg 319 591 (Pneu. Only)   | 2        |
| 42       | 34148123         | L/Nut Fit/Reg (Pneu. Only)              | 1        |
| 43       | 35221504         | Support Fit/Reg (Pneu. Only)            | 1        |
| 44       | 34148112         | Gauge 1/8 MPT (Pneu. Only)              | 1        |
| 45       | 34147218         | Fit/Reg 3/8 Combo (Pneu. Only)          | 1        |
| 46       | 34212103         | Reducer 3/8 x 1/4 (Pneu. Only)          | 2        |
| 47       | 34223527         | Elbow/Push 1/4 x 5/16 Tube (Pneu. Only) | 1        |
| 48       | 34123206         | Cylinder/Air 2.5 x 3 (Pneu. Only)       | 1        |
| 49       | 33414102         | Nut/Hex 5/16-18                         | 2        |
| 50       | 33231210         | L/Washer Med Spg 319 591                | 2        |
| 51       | 33111606         | Screw/Hex Hd 5/16-18 x 1                | 2        |
| 52       | 33211126         | Washer/AF 13/32 13/16 x .065            | 2        |
| 53       | 35213351         | Frame Support                           | 1        |
| 54       | 34900501         | Pad/Leveling 5/16-18                    | 3        |
| 55       | 33411102         | Nut/Hex 5/16-18                         | 6        |
| 56       | 33211126         | Washer/AF 13/32 13/16 x .065            | 6        |
| 57       | 33231211         | L/Washer Med Spg 382 688                | 6        |
| 58       | 35213397         | Pedal Assembly (Foot Only)              | 1        |
| 59       | 34232107         | Tube/Plstc 5/16 x 62 in. (Pneu. Only)   | 1        |
| 60       | 34223527         | Elbow/Push 1/4 x 5/16 Tube (Pneu. Only) | 2        |
| 61       | 34116211         | Valve Foot 1/4 4 Way (Pneu. Only)       | 1        |
| 62       | 34223426         | Union 1/4 x 5/16 Tube (Pneu. Only)      | 1        |
| 63       | 34131203         | Valve Flow Control 1/4 (Pneu. Only)     | 1        |
| 64       | 34191043         | Kit/Repair Foot 4 Way (Pneu. Only)      | 2        |
| 65       | 34232107         | Tube/Plstc 5/16 x 65 in. (Pneu. Only)   | 1        |
| 66       | 34232107         | Tube/Plstc 5/16 x 60 in. (Pneu. Only)   | 1        |

## ESPAÑOL

### Lista de la Unidad Principal

| Description                             | Quantity |
|-----------------------------------------|----------|
| Weldment Post Frame (Pneu. Only)        | 1        |
| Weldment/Frame (S.A. Foot Only)         | 1        |
| Weldment/Frame (S.A. Pneu. Only)        | 1        |
| Bumper (Foot Only)                      | 1        |
| Spring/Comp 1-3/4 Lg (Foot Only)        | 1        |
| Kit/Bot Cyl Repair (Pneu. Only)         | 1        |
| Reducer 3/8 x 1/4 (Pneu. Only)          | 2        |
| Nut/Jam 3/4-10 (Pneu. Only)             | 1        |
| Adapter/Cylinder (Pneu. Only)           | 1        |
| Screw/Soc Hd 5/16-24 x 1/2 (Pneu. Only) | 2        |
| L/Washer Med Spg 319 591 (Pneu. Only)   | 2        |
| L/Nut Fit/Reg (Pneu. Only)              | 1        |
| Support Fit/Reg (Pneu. Only)            | 1        |
| Gauge 1/8 MPT (Pneu. Only)              | 1        |
| Fit/Reg 3/8 Combo (Pneu. Only)          | 1        |
| Reducer 3/8 x 1/4 (Pneu. Only)          | 2        |
| Elbow/Push 1/4 x 5/16 Tube (Pneu. Only) | 1        |
| Cylinder/Air 2.5 x 3 (Pneu. Only)       | 1        |
| Nut/Hex 5/16-18                         | 2        |
| L/Washer Med Spg 319 591                | 2        |
| Screw/Hex Hd 5/16-18 x 1                | 2        |
| Washer/AF 13/32 13/16 x .065            | 2        |
| Frame Support                           | 1        |
| Pad/Leveling 5/16-18                    | 3        |
| Nut/Hex 5/16-18                         | 6        |
| Washer/AF 13/32 13/16 x .065            | 6        |
| L/Washer Med Spg 382 688                | 6        |
| Pedal Assembly (Foot Only)              | 1        |
| Tube/Plstc 5/16 x 62 in. (Pneu. Only)   | 1        |
| Elbow/Push 1/4 x 5/16 Tube (Pneu. Only) | 2        |
| Valve Foot 1/4 4 Way (Pneu. Only)       | 1        |
| Union 1/4 x 5/16 Tube (Pneu. Only)      | 1        |
| Valve Flow Control 1/4 (Pneu. Only)     | 1        |
| Kit/Repair Foot 4 Way (Pneu. Only)      | 2        |
| Tube/Plstc 5/16 x 65 in. (Pneu. Only)   | 1        |
| Tube/Plstc 5/16 x 60 in. (Pneu. Only)   | 1        |



**Staple Head Breakdown**

**Panne de la tête de l'agrafeuse**

**Lista de Grapas de Cabeza**

| Item No. | Product Code No. | Description             | Quantity | Item No. | Product Code No. | Description            | Quantity |
|----------|------------------|-------------------------|----------|----------|------------------|------------------------|----------|
| 1        | 33944005         | L/Nut Nyl Ins 6MM       | 1        | 18       | 35211239         | Blade/Drive 1-3/8 A    | 1        |
| 2        | 33921009         | Washer/AF 6MM           | 2        | 18       | 35211246         | Blade/Drive 1-1/4 C    | 1        |
| 3        | 33940017         | Nut Reg Hex 6MM         | 1        | 19       | 33231207         | L/Wash Med SPG 194 332 | 2        |
| 4        | 35217408         | Screw/SOC 4MM x 70MM    | 2        | 20       | 33121403         | Screw/SOC 10-24 x 5/8  | 2        |
| 5        | 33944003         | L/Nut Nyl Ins 4MM       | 2        | 21       | 35211140         | Guide/Blade 1-3/8 A    | 2        |
| 6        | 35212130         | Spring/Pusher Comp      | 1        | 21       | 35211142         | Guide/Blade 1-1/4 C    | 2        |
| 7        | 35212126         | Assy/Pusher             | 1        | 22       | 35211139         | Plate/Front            | 1        |
| 8        | 35212129         | Rod/Pusher SPL Guide    | 1        | 23       | 35211245         | Spacer/Blade 1-3/8 A   | 1        |
| 9        | 35212131         | Washer/Spring           | 1        | 23       | 35211248         | Spacer/Blade 1-1/4 C   | 1        |
| 10       | 35213410         | Mag Weldment w/o Plate  | 1        | 24       | 33913137         | Screw/FHD 5MM x 16     | 1        |
| 11       | 35211252         | Pin/Bottomer Head       | 2        | 25       | 33912027         | Screw/SOC 5MM x 16     | 6        |
| 12       | 35211241         | Link/Drive              | 2        | 26       | 33231207         | L/Wash Med SPG 194 337 | 6        |
| 13       | 35211244         | Retainer/Spring Blade   | 1        | 27       | 35211141         | Plate/Rear             | 1        |
| 14       | 35211251         | Drive Block Assy.       | 1        | 28       | 35211229         | Pivot/Retainer         | 2        |
| 15       | 33351353         | Pin/Slot SPG 3/16 x 5/8 | 2        | 29       | 33950009         | Ring E/Ext 6MM         | 2        |
| 16       | 33930345         | Pin/SPG 5MM x 50        | 2        | 30       | 33944004         | L/Nut Nyl Ins 5MM      | 1        |
| 17       | 35211230         | Spring/Head Return      | 2        | 31       | 33944004         | L/Nut Nyl Ins 5MM      | 6        |