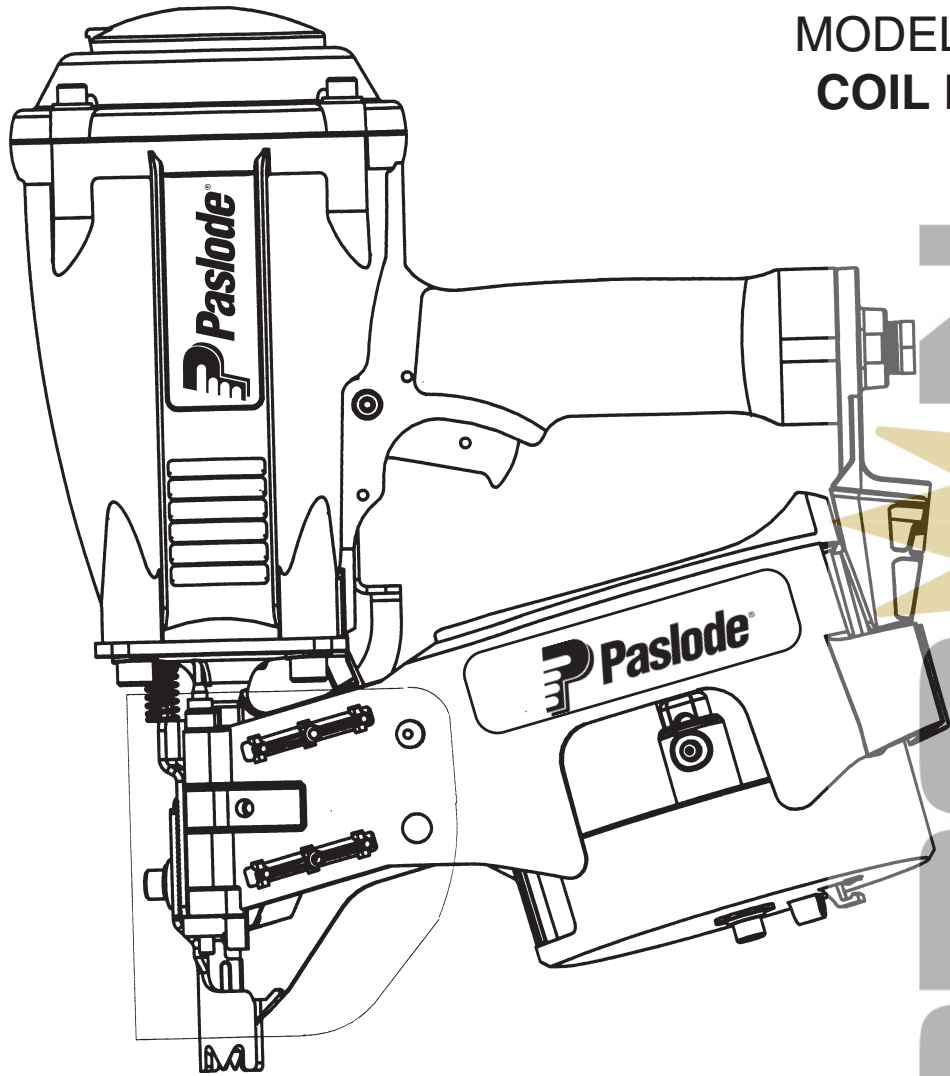




MODEL F325C  
COIL NAILER



## TOOL SCHEMATIC AND PARTS

### **IMPORTANT!**

#### **DO NOT DESTROY**

Always refer to safety and maintenance manual #403606 for detailed information on this tool. It is the customer's responsibility to have all operators and service personnel read and understand this information.

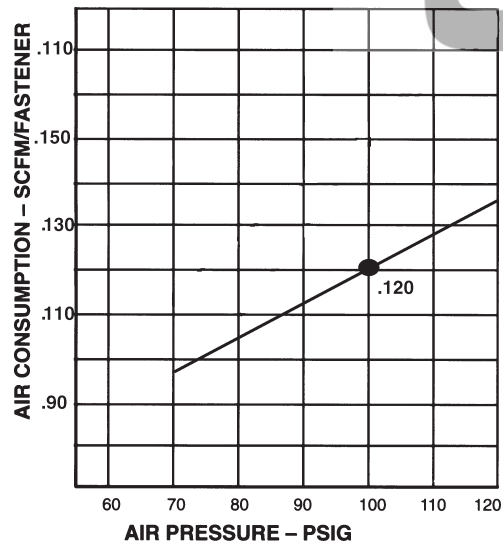
# PARTS LEGEND

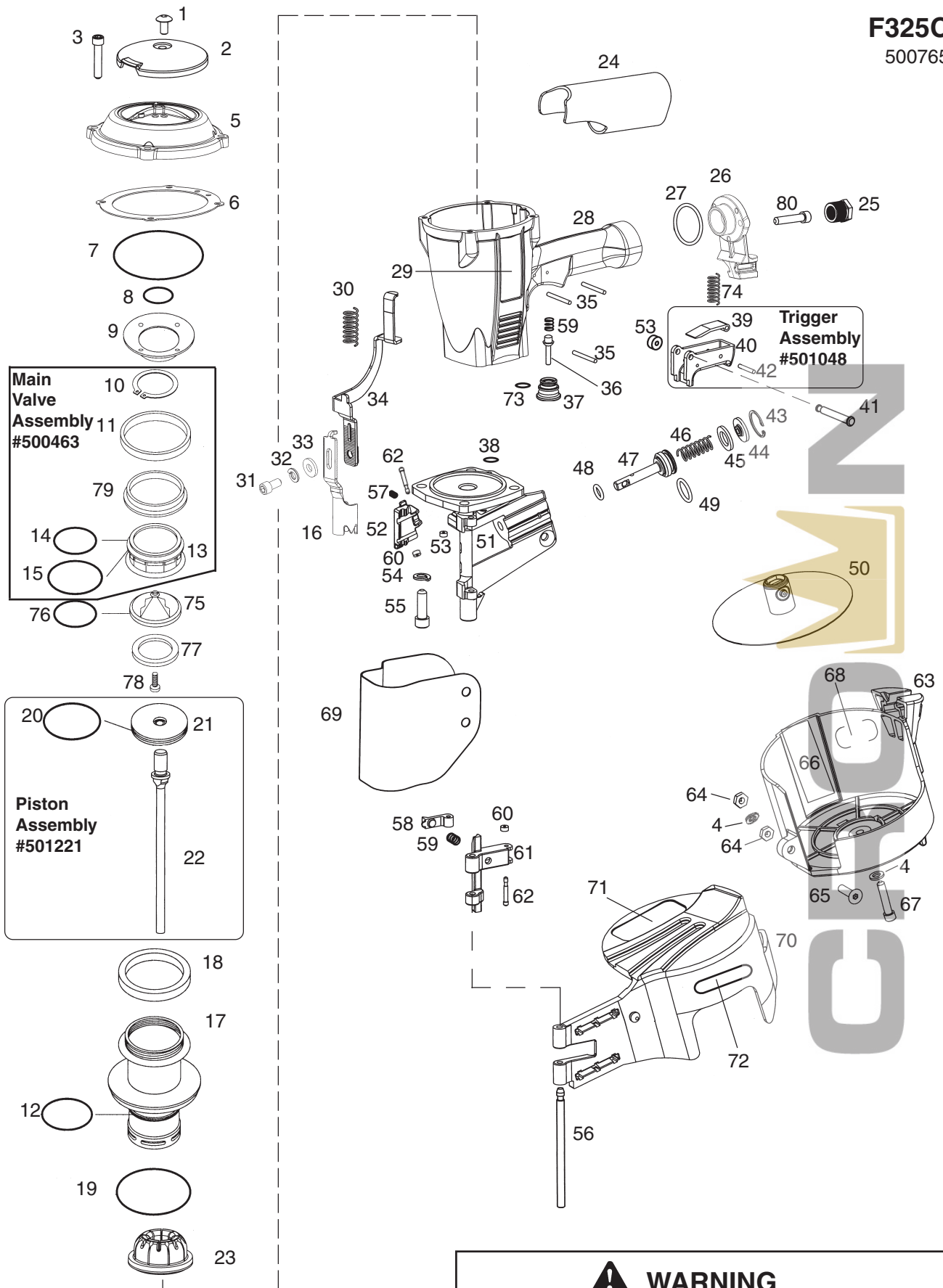
F325-C, 500765

▲1	501043	1	T.H.S.C.S. 1/4-20 x 1/2"	41	402669	1	Pin, Trigger
2	501016	1	Air Deflector	42	501009	1	Spirol Pin
3	501300	4	S.H.C.S. 1/4-20 x 1-1/4"	43	263239	1	Retaining Ring
4	092757	2	Flatwasher 1/4"	44	402018	1	End Cap, Feeder Body
5	501017	1	Cap	45	402084	1	Bumper, Feed Piston
6	501001	1	Gasket, Cap	46	402024	1	Spring, Feed Claw Piston
7	500461	1	O-Ring	47	500674	1	Feed Claw Piston
8	092042	1	O-Ring	*48	402031	1	O-Ring
9	500407	1	Spring Valve	*49	091541	1	O-Ring
10	406041	1	Retaining Ring	50	500803	1	Tray Assembly
11	500455	1	Upper Valve Piston	51	500658	1	Nose
12	092235	1	O-Ring	52	500715	1	Feed Claw
13	500456	1	Lower Valve Piston	53	402668	2	Retaining Washer
14	091208	1	O-Ring	54	095417	4	Lockwasher
15	401950	1	O-Ring	▲55	009016	4	S.H.C.S. 5/16-18 x 1"
16	500728	1	Lower W.C.E.	56	500677	1	Hinge Pin
17	501004	1	Sleeve	57	500700	1	Spring, Feed Claw
18	402011	1	Seal, Sleeve	58	402037	1	Holdback
*19	501002	1	O-Ring	59	097748	2	Spring
*20	092971	1	O-Ring	60	402486	2	Retaining Washer
21	501003	1	Piston	61	500675	1	Locator
■*22	500659	1	Driver Blade	62	402487	2	Pivot Pin
*23	500866	1	Bumper	63	500657	1	Magazine
24	501023	1	Grip	64	091733	2	Flexloc Thin Nut
25	091622	1	Reducing Pipe Bushing	65	005562	1	F.H.S.C.S. 1/4-20 x 5/8"
26	500746	1	End Cap	66	501079	1	Magazine Adjust. Label
*27	092042	1	O-Ring	67	091592	1	S.H.C.S. 1/4 x 3/4"
28	500739	1	Housing	68	500791	1	Nameplate
29	501018	2	Label, Housing	69	402662	1	Debris Shield
30	501006	1	Spring, W.C.E.	70	500678	1	Cover, Magazine
31	091618	1	S.H.C.S. 1/4 -20 x 1/2"	**71	500492	1	Warning Label
32	002187	1	Lock washer	72	501216	1	Logo, Magazine
33	501767	1	Washer	73	092174	1	O-Ring
34	500660	1	Upper W.C.E.	74	500199	1	Spring
35	071297	3	Roll Pin	75	500454	1	Post
36	097746	1	Valve Pin	76	095432	1	O-Ring
37	401958	1	Valve Body	77	500453	1	Stop Piston
*38	094295	1	O-Ring	78	402906	1	B.H.C.S. 10-32 x 5/8"
39	501008	1	Lever, Bottom Trip	79	401946	1	Seal, Main Valve
40	501010	1	Trigger	80	501299	2	S.H.C.S. 1/4-20 x 1"

- \* Denotes normal wear items
- Denotes a new change
- \*\* NOTE: Make sure Warning Label (500492) is properly affixed. Replace if necessary. Label available at no charge through Service Department.
- ▲ Apply Loctite 242 (Blue) Part No. 093500
- Apply Loctite 680 (Green) Part No. 219241

AIR CONSUMPTION CHART



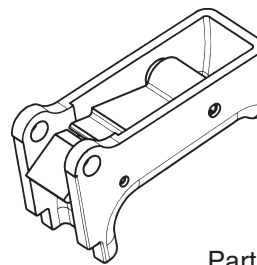


**⚠ WARNING**  
All parts must be periodically inspected and replaced if worn or broken. Failure to do this can affect the tool's operation and present a safety hazard.

# ACCESSORIES

## Sequential Operating Kit

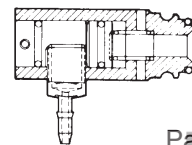
This special attachment is designed for sequential operation (stops "contact" firing). The operator must depress and hold the work contacting element against the work surface before pulling the trigger. This sequence must be repeated each time the tool drives a fastener.



Part No. 501039

## Remote Fire Valve

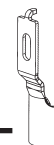
This valve via a positive air signal allows a machine mounted tool to be operated from an automatic air valve or foot pedal system.



Part No. 1X0713

## Lower Work Contacting Element

This W.C.E. has a smooth bottom for decking, siding and sheathing applications.



Part No. 500810

## Lubricants and Loctite

Loctite 680 (Green)  
 Loctite 242 (Blue) 1 oz.  
 Chemplex 710 Lubricant 1 lb.  
 Lubricating Oil 16 oz.  
 Lubricating Oil 8 oz. with Antifreeze



Part No. 219241  
 Part No. 093500  
 Part No. 403734  
 Part No. 403720  
 Part No. 219090

## Degreaser Safety Cleaner

Ideal cleaner for all Paslode tools.



Part No. 219086

## Belt Hook/Hanger

Part No. 219239

## Rafter Hook/Hanger

Part No. 219242

## Combination Rafter-Belt/Hanger

Part No. 501073

## Safety Glasses

Clear



Part No. 402510

## Hex Key - 3/16" (For adjusting work contacting element.)

Part No. 500783

## Large Nylon Tool Bag



Part No. 219246

# SAFETY INSTRUCTIONS

## WEAR EYE AND HEARING PROTECTION



Always wear hearing protection and eye protection devices, including side shields when operating or working in the vicinity of a tool.



Never use any bottled air or gases such as oxygen to operate the tool since they could cause the tool to explode.

## DO NOT EXCEED MAXIMUM RECOMMENDED AIR PRESSURE



Operate the tool using only the recommended air pressure. Do not exceed the maximum air pressure marked on the tool. Be sure the air pressure gauge is operating properly and check it at least twice a day.

